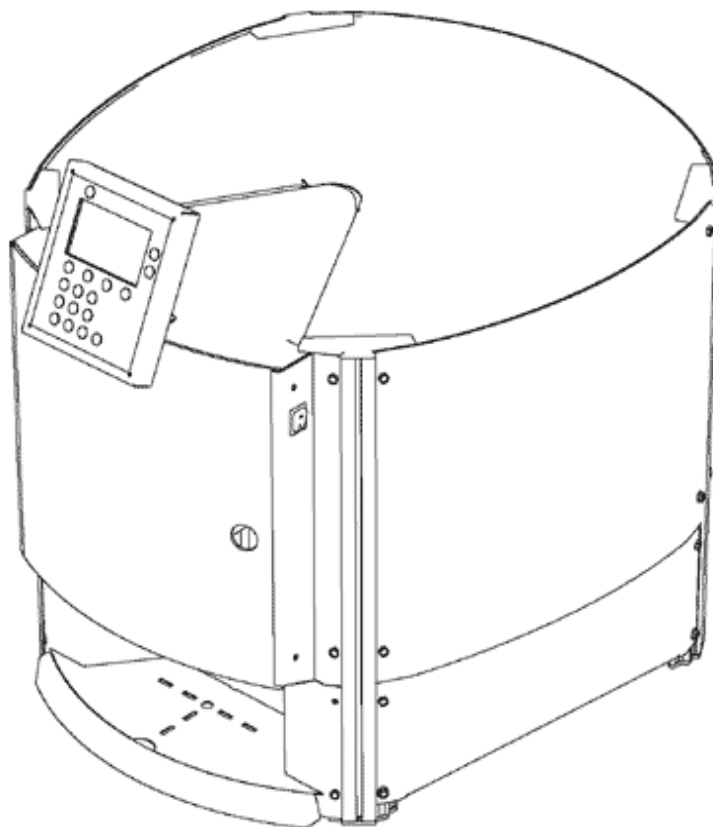


Tintmaster Haircare

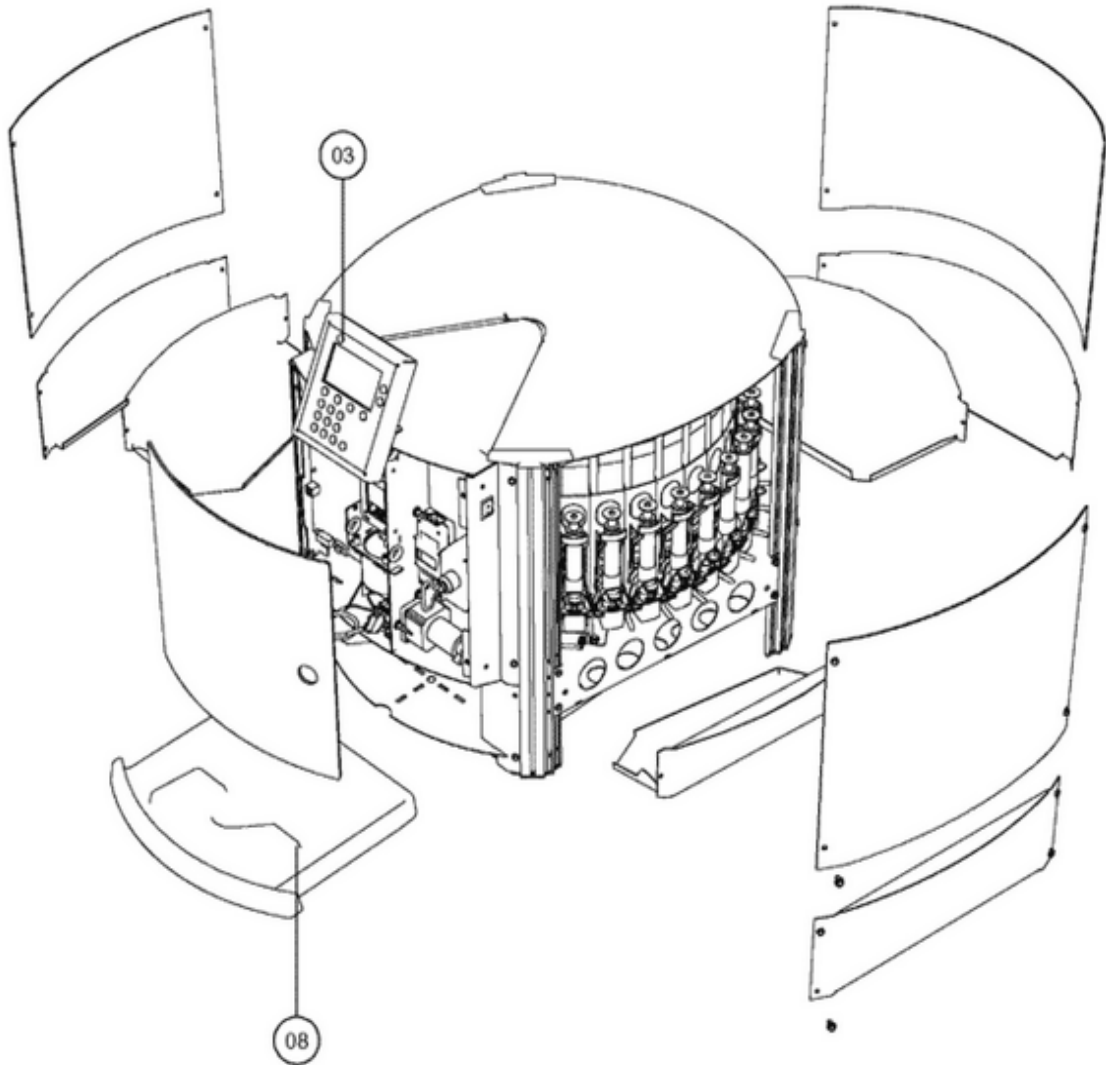
Sparepartsbook



© Fast & Fluid Management, 2005

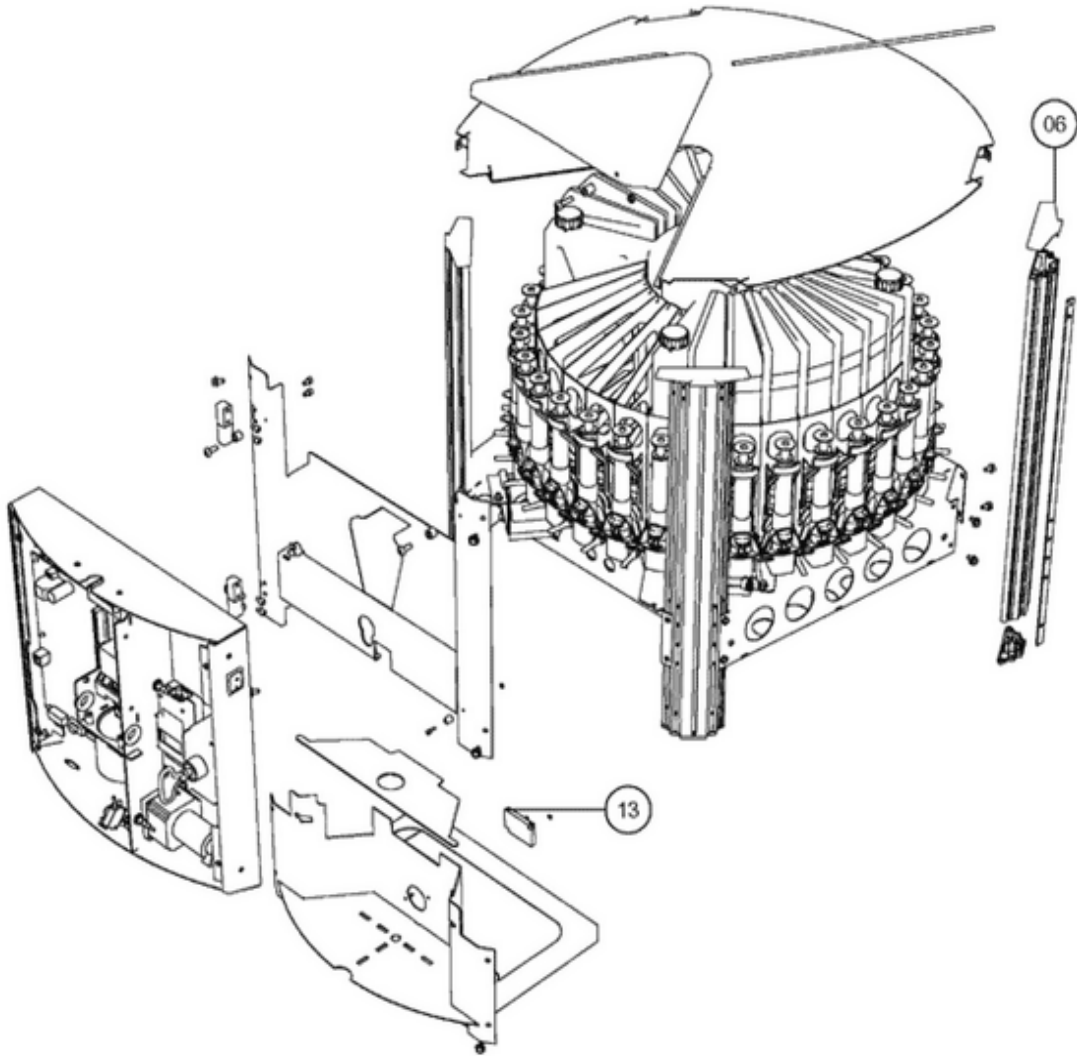
TmHC Sparepartsbook

Page 5100 - Base,assy



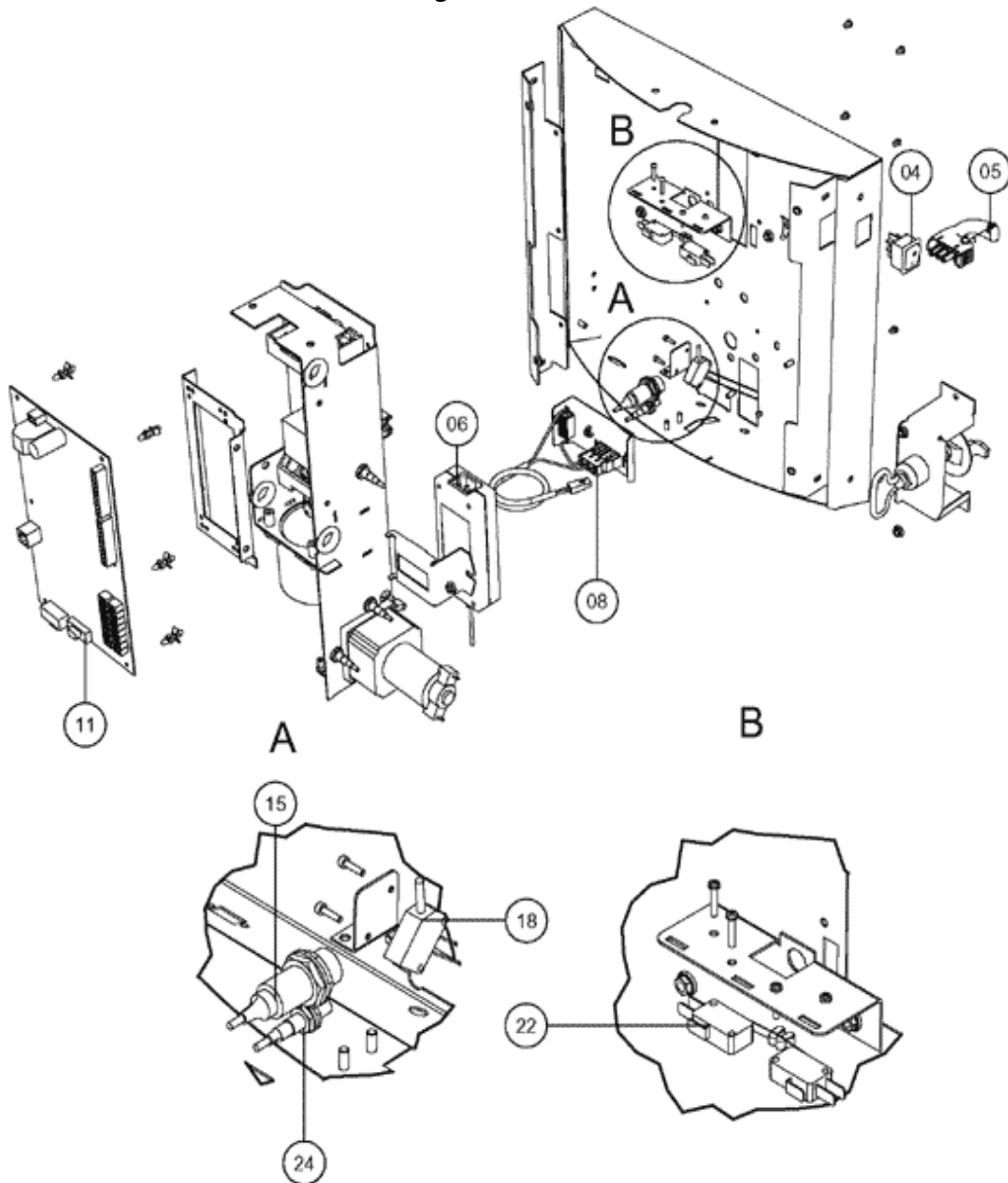
<i>ITEM</i>	<i>PART NUMBER</i>	<i>DESCRIPTION</i>	<i>REMARKS</i>	<i>QTY</i>
03	1863192-SP	TMHC,display		1
	1863702-SP	Touchscreen,12.1inch,XGA,SIT		1
08	1811696-SP	Dripdrawer, TMHC		1

Page 5110 - Base,frame,assy



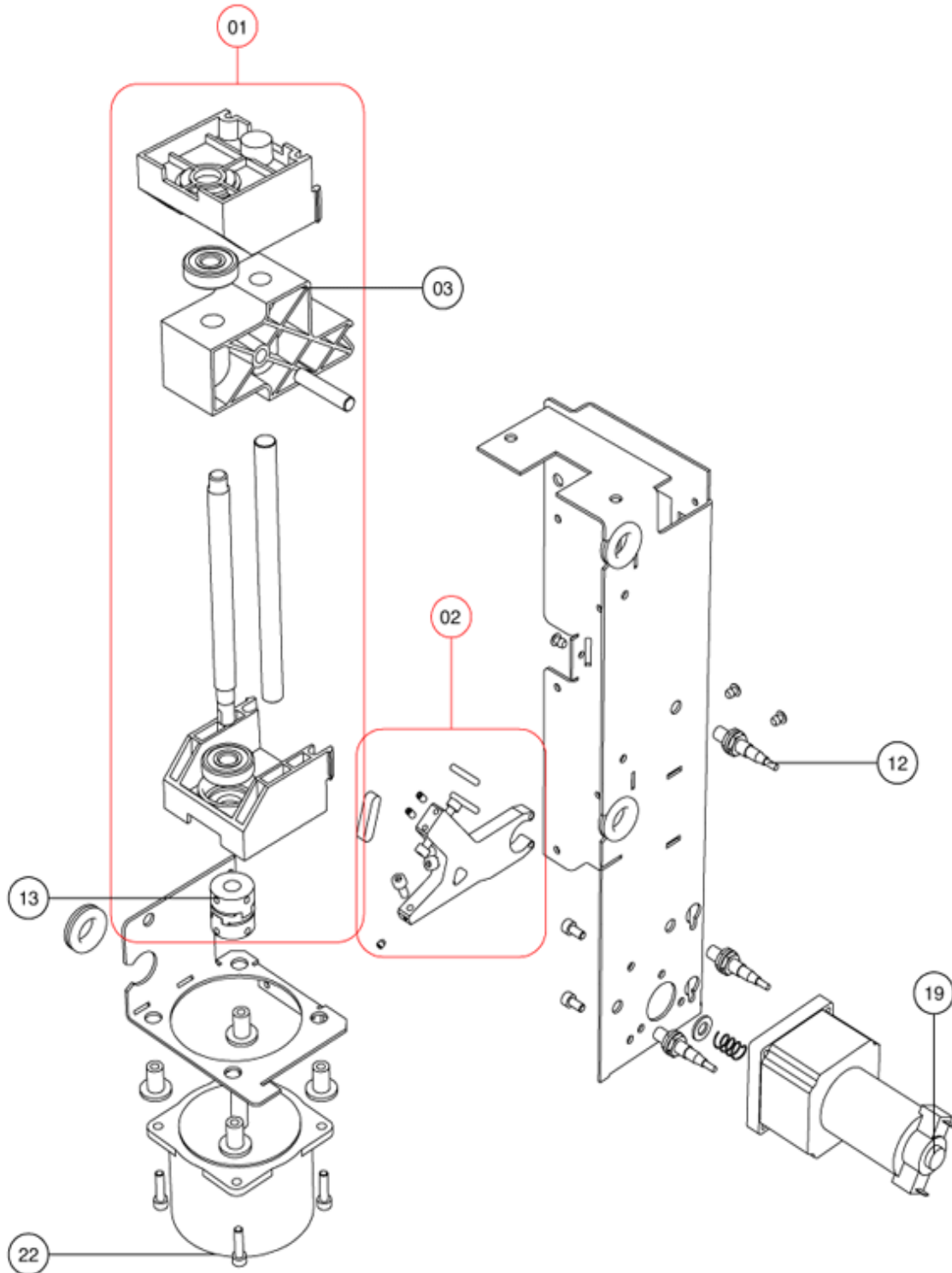
<i>ITEM</i>	<i>PART NUMBER</i>	<i>DESCRIPTION</i>	<i>REMARKS</i>	<i>QTY</i>
06	1811188-SP	Cap,profile,TM		1
13	1862198-SP	Reflector,TMHC		1

Page 5120 - Mechanica,assy



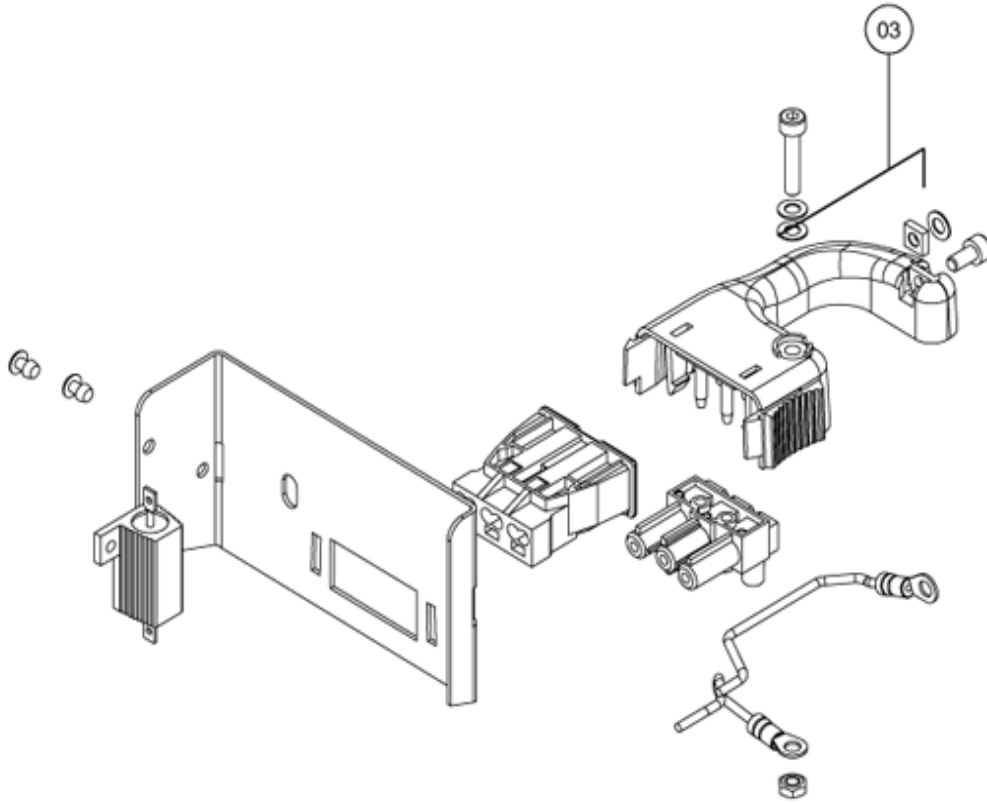
<i>ITEM</i>	<i>PART NUMBER</i>	<i>DESCRIPTION</i>	<i>REMARKS</i>	<i>QTY</i>
04	1170076-SP	Switch,on/off,red,16A		1
05	1863237-SP	Hotwire,TMHC		1
06	1862980-SP	powersupply,assy,TMHC		1
08	1812069-SP	cable,heatingwire,assy,TMHC		1
11	1863281-SP	Powerboard,English/German,TMHC		1
15	1862967-SP	sensor6,tablepos.sensor,TMHC		1
18	1862972-SP	Cansensor,TMHC		1
22	1160200-SP	Switch,micro		1
24	1863205-SP	Sensor,table-home,assy,TMHC		1

Page 5121 - Gripper,assy



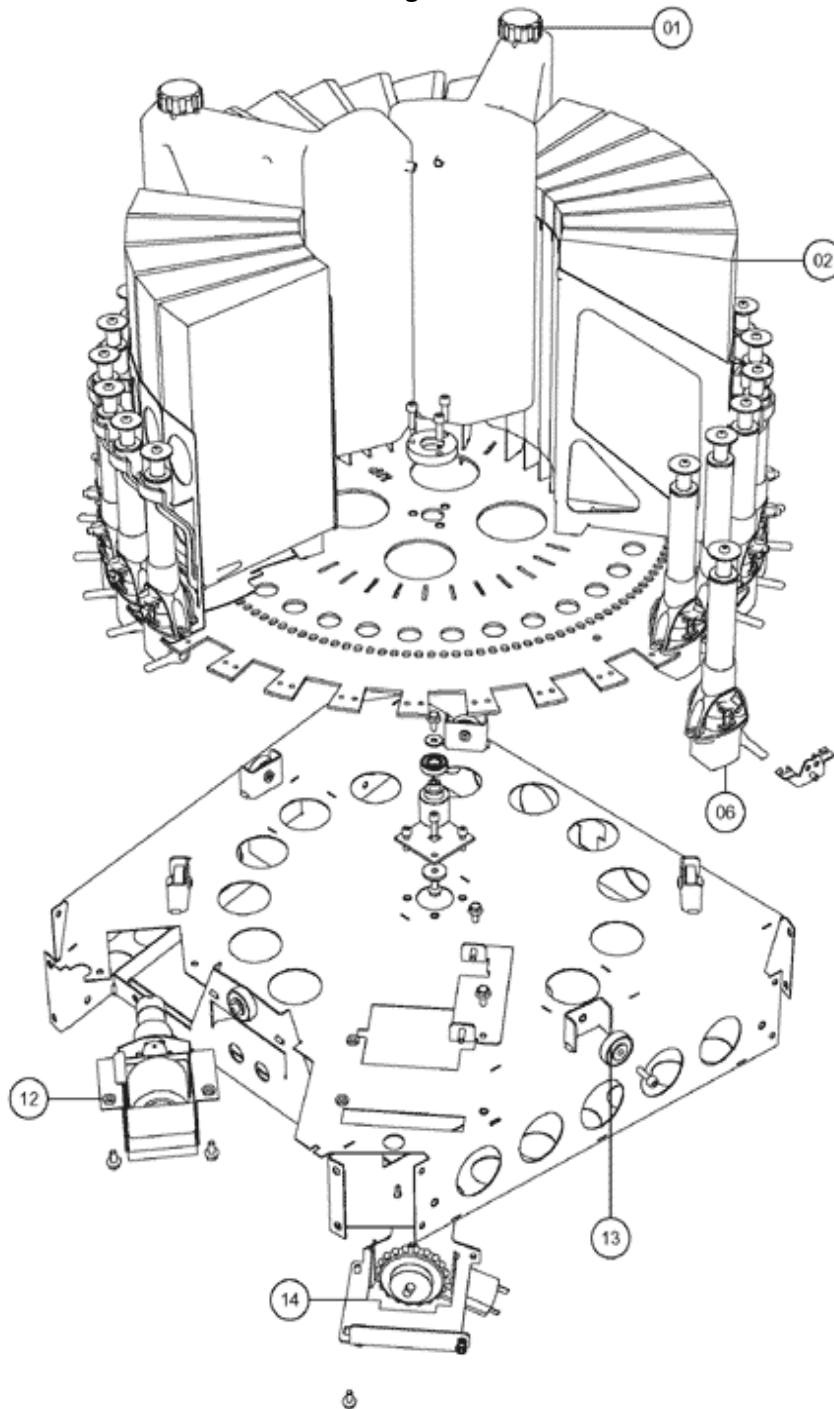
<i>ITEM</i>	<i>PART NUMBER</i>	<i>DESCRIPTION</i>	<i>REMARKS</i>	<i>QTY</i>
01	1863310-SP	Spindle,assy, TMHC		1
02	1863311-SP	Gripper,assy, TMHC		1
03	1811925-SP	Gripper with pin, TMHC		1
12	1862973-SP	sensor2,stepperhome, TMHC		1
13	1863516-SP	Coupler,assy,set		1
19	1861943-SP	Motor,80.805.0,24V,i=245		1
22	1861988-SP	Steppmotor,2-fuse,HA2/4/6/TM		1

Page 5123 - Hotwire,assy



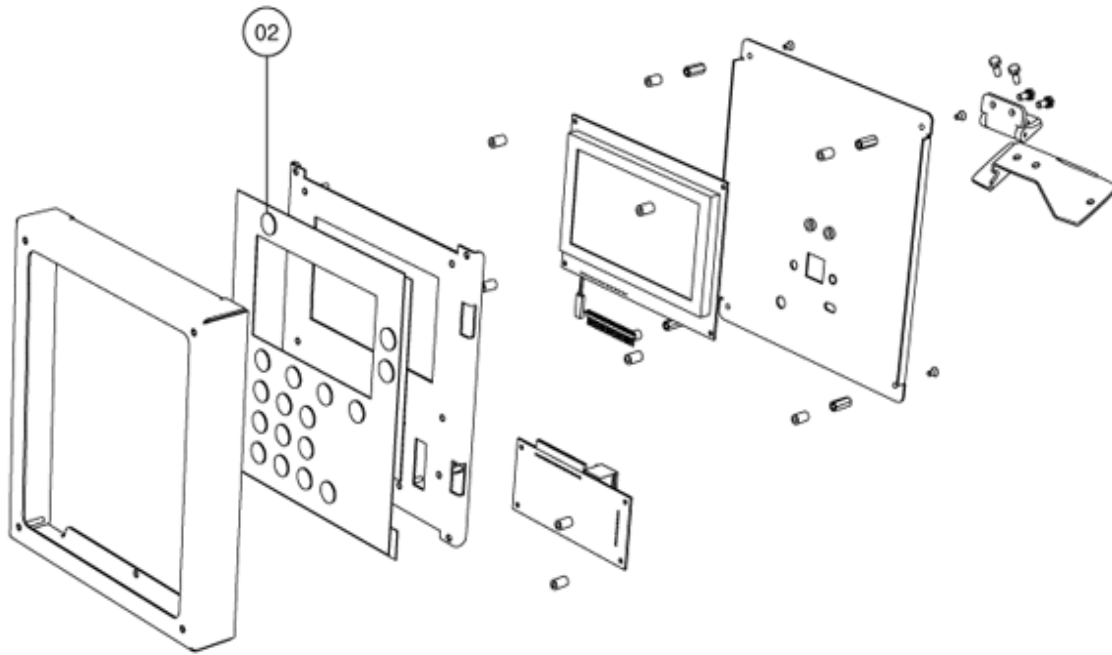
<i>ITEM</i>	<i>PART NUMBER</i>	<i>DESCRIPTION</i>	<i>REMARKS</i>	<i>QTY</i>
03	1863085-SP	Cutterwire,0.28, L=80mm (25x)		25

Page 5130 - Subframe,assy



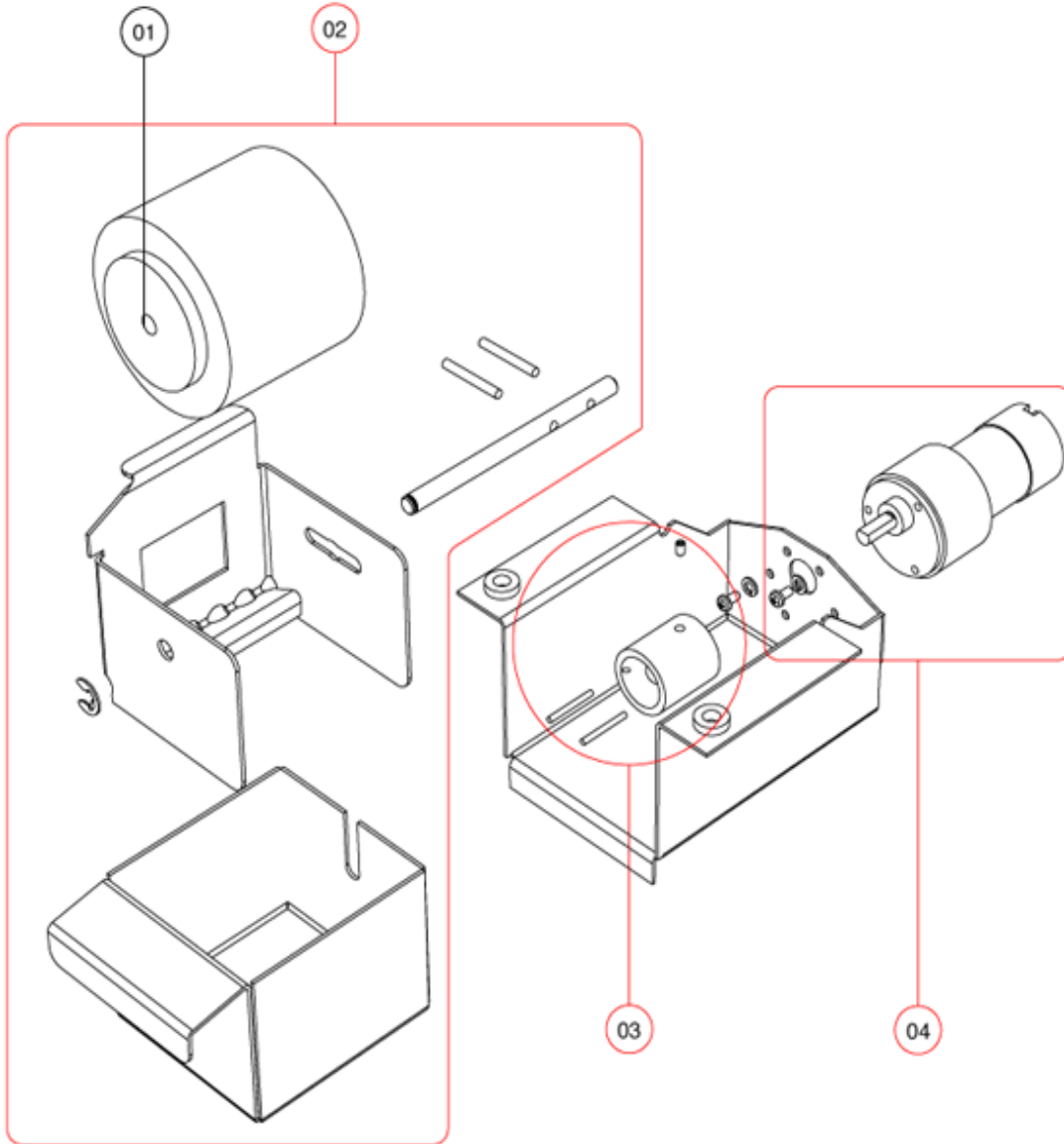
<i>ITEM</i>	<i>PART NUMBER</i>	<i>DESCRIPTION</i>	<i>REMARKS</i>	<i>QTY</i>
01		Pouches	Page 5150	4
02		Pouches	Page 5150	14
06	1863153-SP	Ballvalve&pump, 1-oz, 303, TMHC		1
06	1862989-SP	Ballvalve&pumpt. assy, 1-oz, TMHC		1
06	1812542-SP	Ballvalve assy, POM, 1-oz, TMHC		1
12		Brush,assy	Page 5140	1
13	1862422-SP	Wheel, traversing, centr., 35mm		1
14		Motor,assy	Page 5145	1

Page 5135 - Display,assy



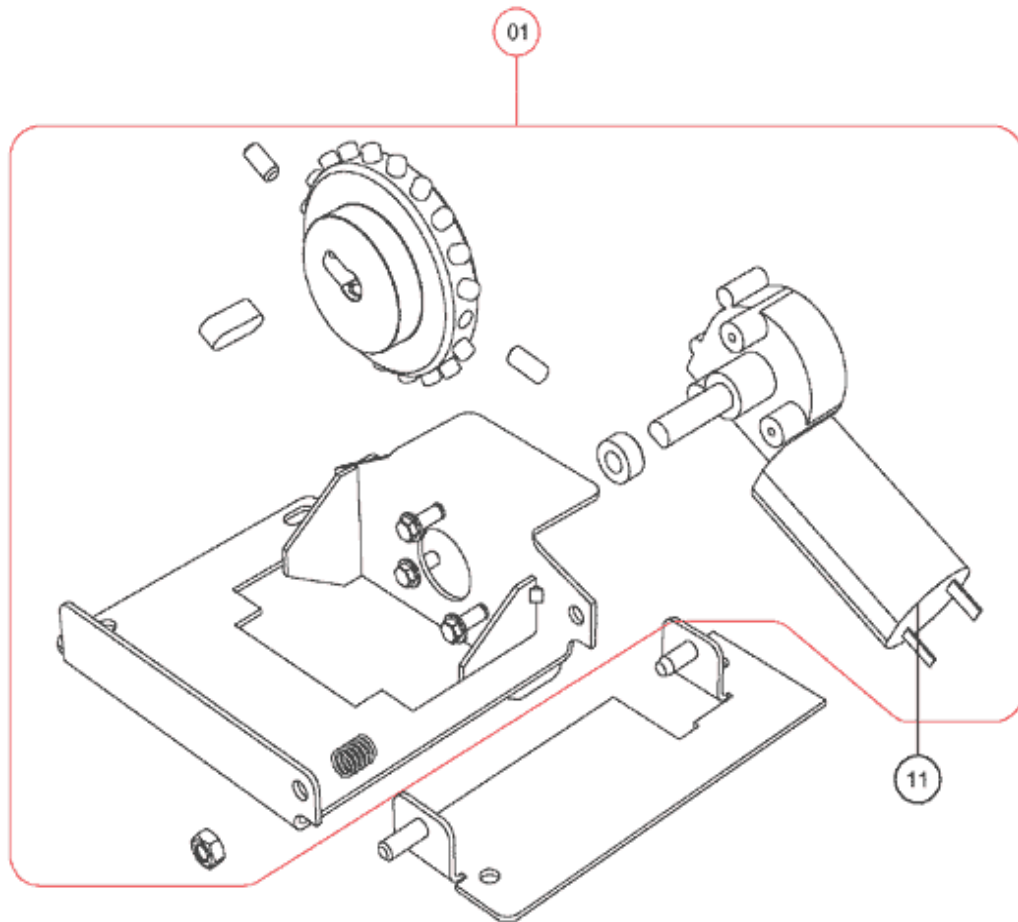
<i>ITEM</i>	<i>PART NUMBER</i>	<i>DESCRIPTION</i>	<i>REMARKS</i>	<i>QTY</i>
02	1863110-SP	Folieschakelaar, TMHC		1

Page 5140 - Brush,assy



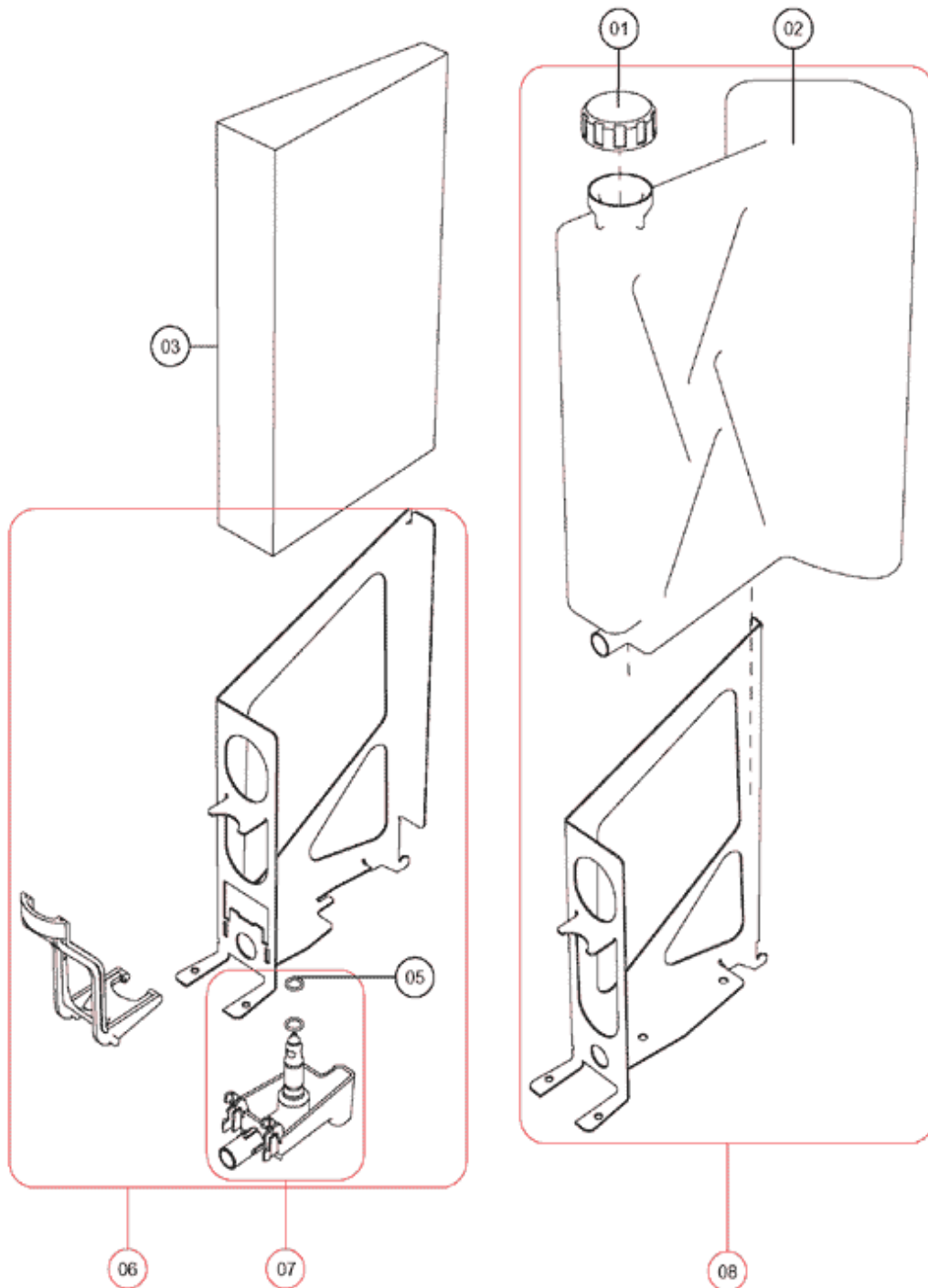
<i>ITEM</i>	<i>PART NUMBER</i>	<i>DESCRIPTION</i>	<i>REMARKS</i>	<i>QTY</i>
01	1811646-SP	Brush,D60x60,TMHC/TMXL		1
02	1863306-SP	Container,brush,assy,TMHC		1
03	1863307-SP	Fork,brush,assy,TMHC		1
04	1863308-SP	Motor,brush,with 3screw"s		1

Page 5145 - Motor,assy



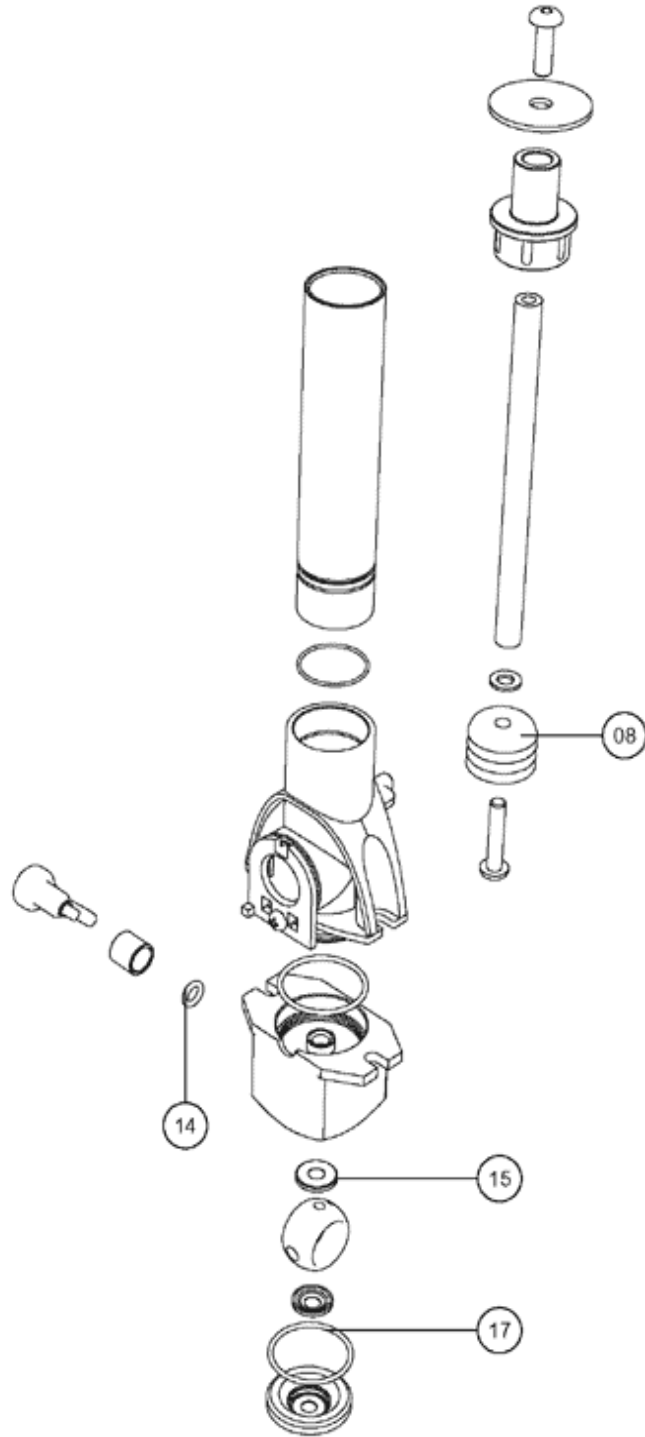
<i>ITEM</i>	<i>PART NUMBER</i>	<i>DESCRIPTION</i>	<i>REMARKS</i>	<i>QTY</i>
01	1863305-SP	Motor,assy, TMHC		1
11	1853763-SP	Motor 404.603 + 3 screws, TM		1

Page 5150 - Pouches



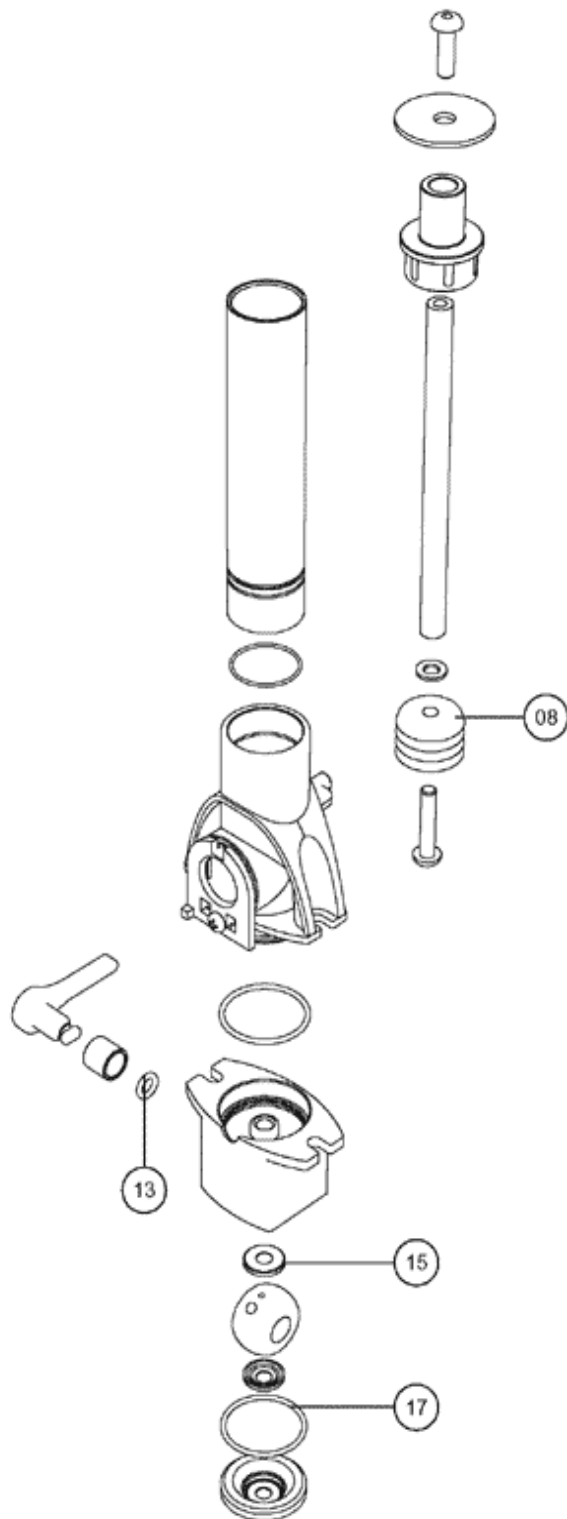
ITEM	PART NUMBER	DESCRIPTION	REMARKS	QTY
01	1863270-SP	cap,PA,G1", TMHC		1
02	1863186-SP	Canister,centre,32,TMHC		1
03	1812066-SP	Cassette,pouch,TMHC		1
05	1863175-SP	O-ring, viton extreme, 11x1,5		1
06	1863303-SP	Bracket,assy,pouch,box,TMHC		1
07	1863517-SP	Male,overflow,con. + O-ring,set5		1
08	1863304-SP	Centre,canister,assy,TMHC		1

Page 5155 - Ballvalve, 1-oz, assy



<i>ITEM</i>	<i>PART NUMBER</i>	<i>DESCRIPTION</i>	<i>REMARKS</i>	<i>QTY</i>
	1862989-SP	Ballvalve&pump.assy, 1-oz, TMHC		1
08	1810932-SP	Piston,teflon,2-oz,4-seals,HA		1
14	1862561-SP	O-ring,6,00x2,00,viton		1
15	1810487-SP	Seal,ballvalve,disp2002(10st)		10
17	1862396-SP	O-ring,28,3x1,78,10pcs		10

Page 5156 - Ballvalve, 1-oz, assy, 303



<i>ITEM</i>	<i>PART NUMBER</i>	<i>DESCRIPTION</i>	<i>REMARKS</i>	<i>QTY</i>
	1863153-SP	Ballvalve&pump, 1-oz, 303, TMHC		1
08	1810932-SP	Piston, teflon, 2-oz, 4-seals, HA		1
13	1862561-SP	O-ring, 6,00x2,00, viton		1
15	1810487-SP	Seal, ballvalve, disp2002(10st)		10
17	1862396-SP	O-ring, 28,3x1,78, 10pcs		10

© Fast & Fluid Management, 2005
www.Fast-Fluid.com
