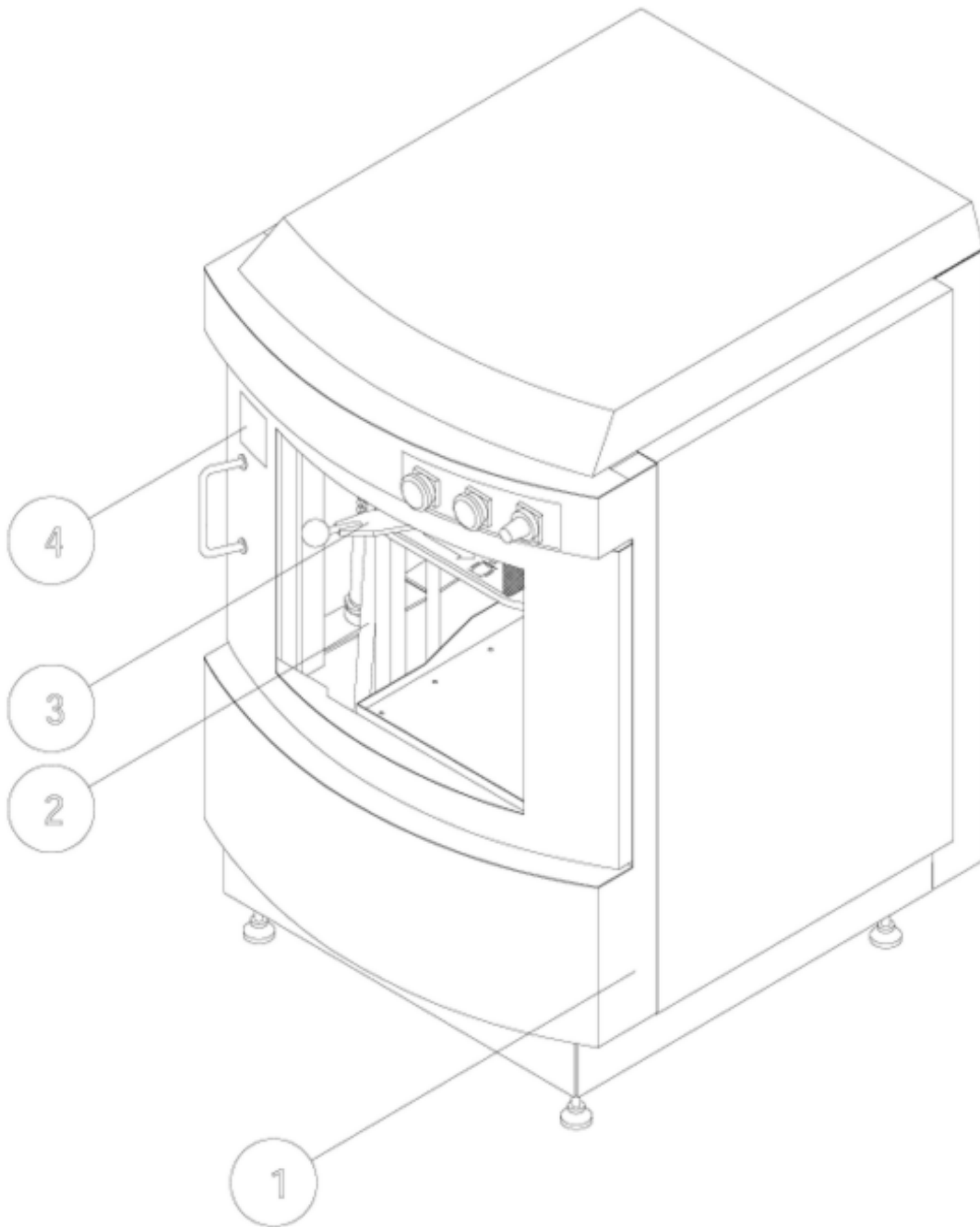




SO-10m Partbook

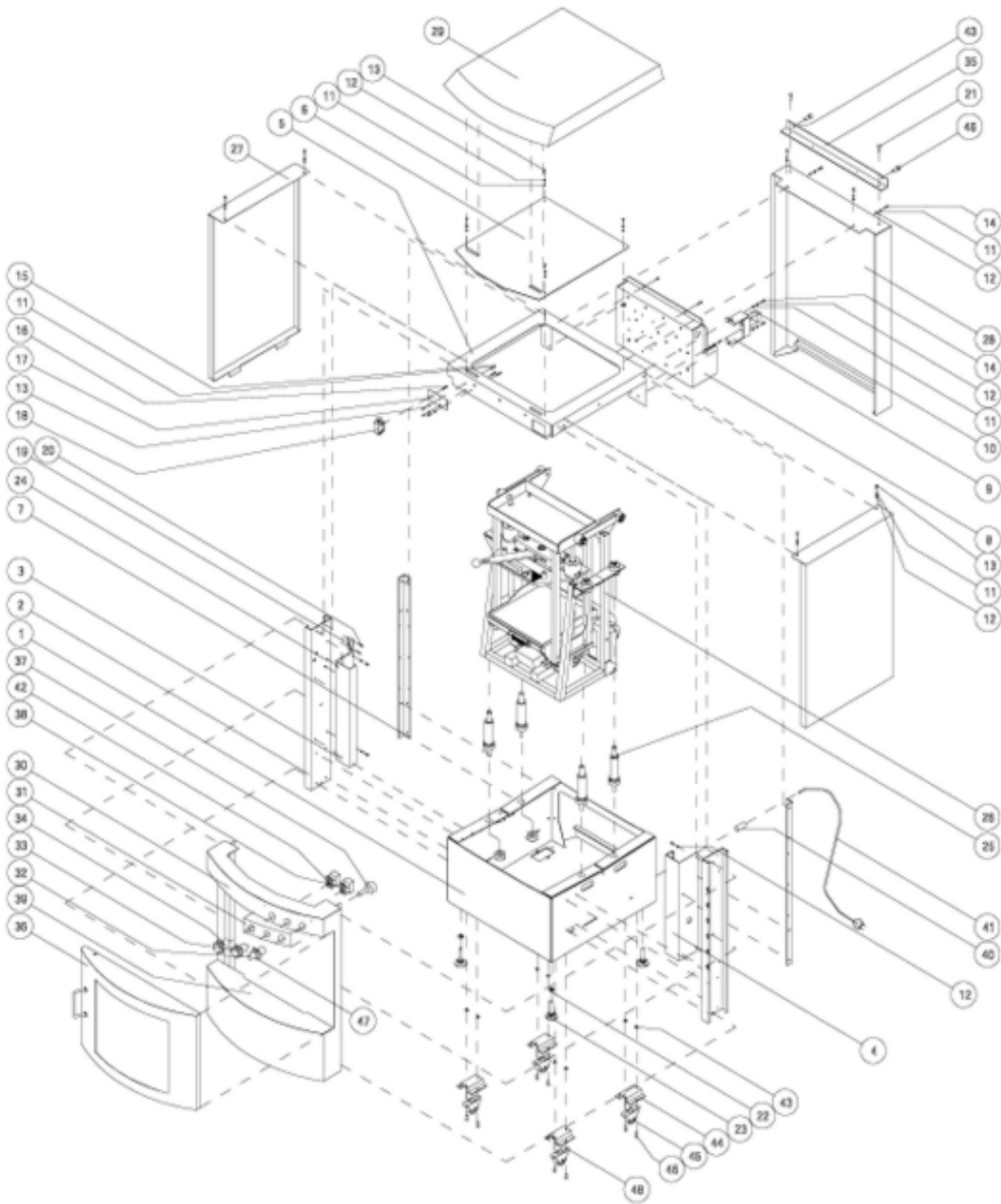
So-10M Sparepartbook

Page 3000 - Composition



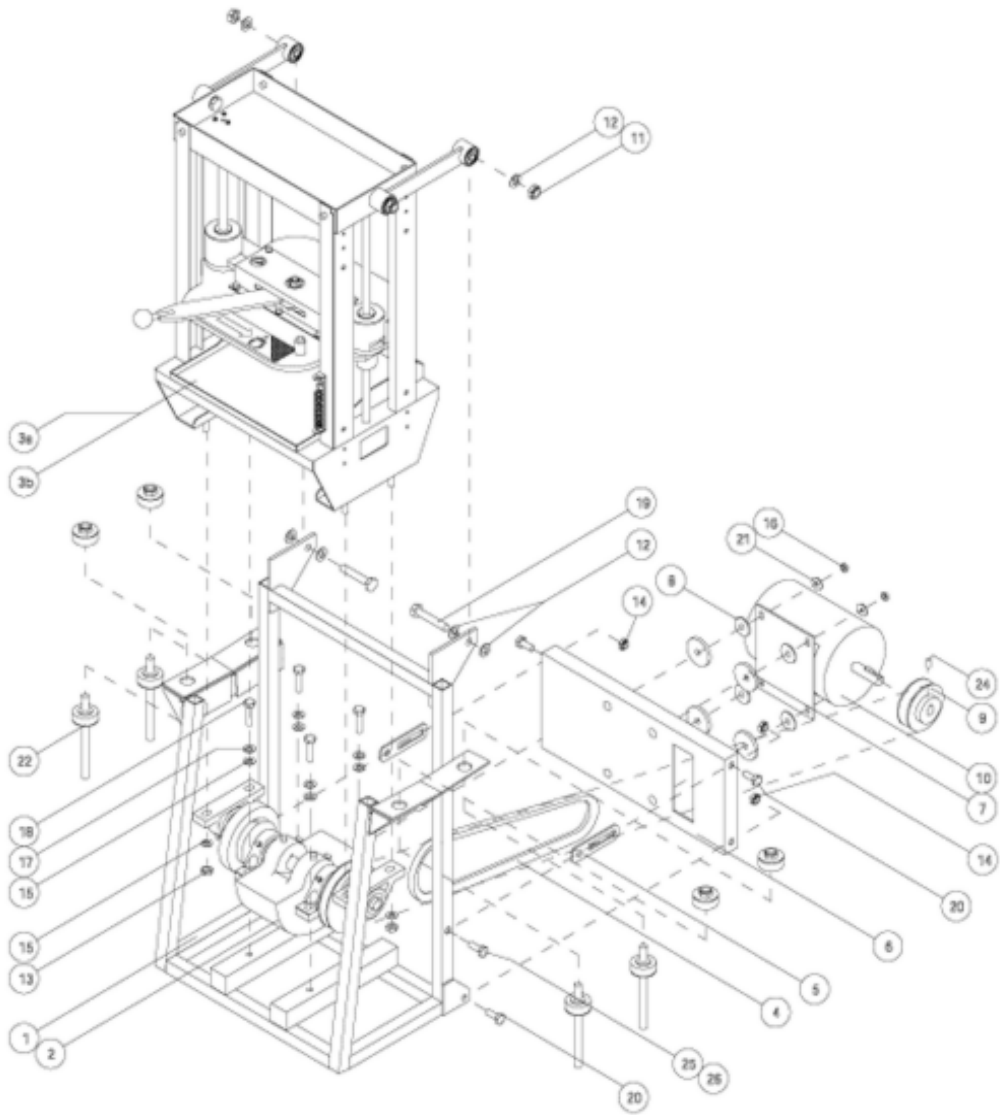
<i>ITEM</i>	<i>PART NUMBER</i>	<i>DESCRIPTION</i>	<i>REMARKS</i>
	1860891-SP	Adaptor,S10,Kalon	

Page 3010 - Outer,frame,assy



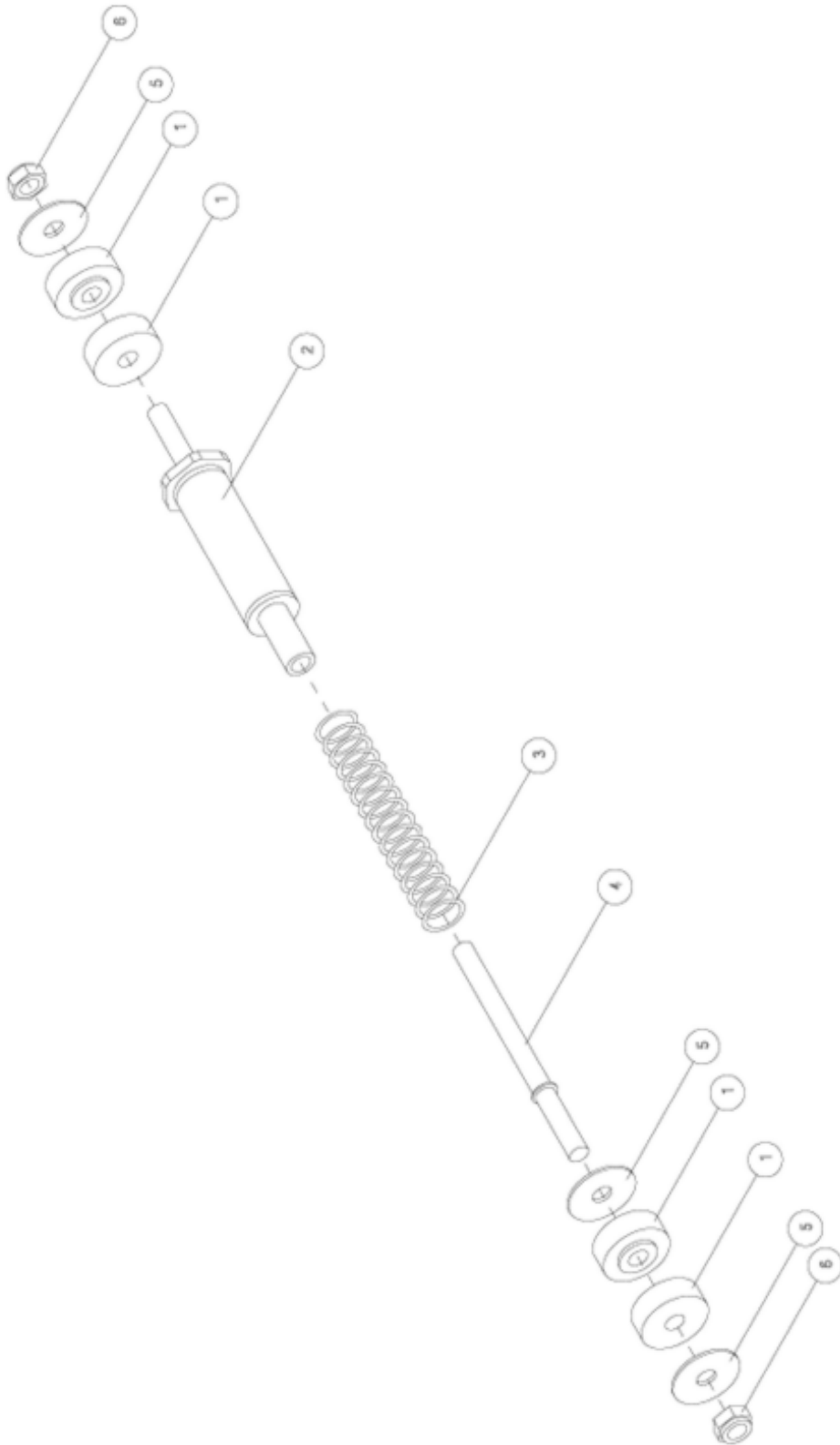
<i>ITEM</i>	<i>PART NUMBER</i>	<i>DESCRIPTION</i>	<i>REMARKS</i>
10	1170073-SP	Switch,on/off,green,16A	
12	1850110-SP	washer M4 DIN125A set 100 pcs	
14	1850121-SP	Screw M4x12 so,hex,set 100 pcs	
17	1801137-SP	Bracket,solenoid	
18	1860671-SP	Solenoid,Door,Switch,SO40/SX40	
19	1160200-SP	Switch,micro	
23	1510110-SP	Foot,adjust.,S7,incl.nuts,4pcs	pos.22,23
29	1861058-SP	Cover,plastic,assy	pos.29,11,12,13
30	1806367-SP	Front,assy,combi	Combi
33	2316100-SP	Button,green,D1Y1G	
34	1860271-SP	red button	
36	1860957-SP	Door,assy,SO-10m	
37	1860321-SP	timer pot	
40	1601617-SP	Strain relief,KB-2	Standard
	1170090-SP	Net-entry,machine,connect.fuse	Combi
42	1862403-SP	Switch,on/off,SO300/40/400	
45	1860640-SP	Wheel,frame,BA/BT	

Page 3020 - Inner,frame,assy



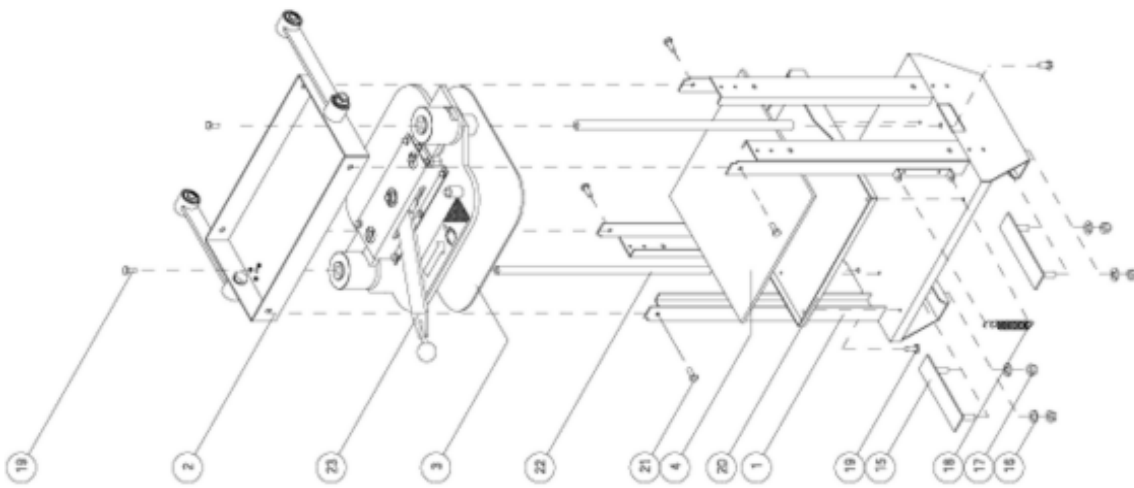
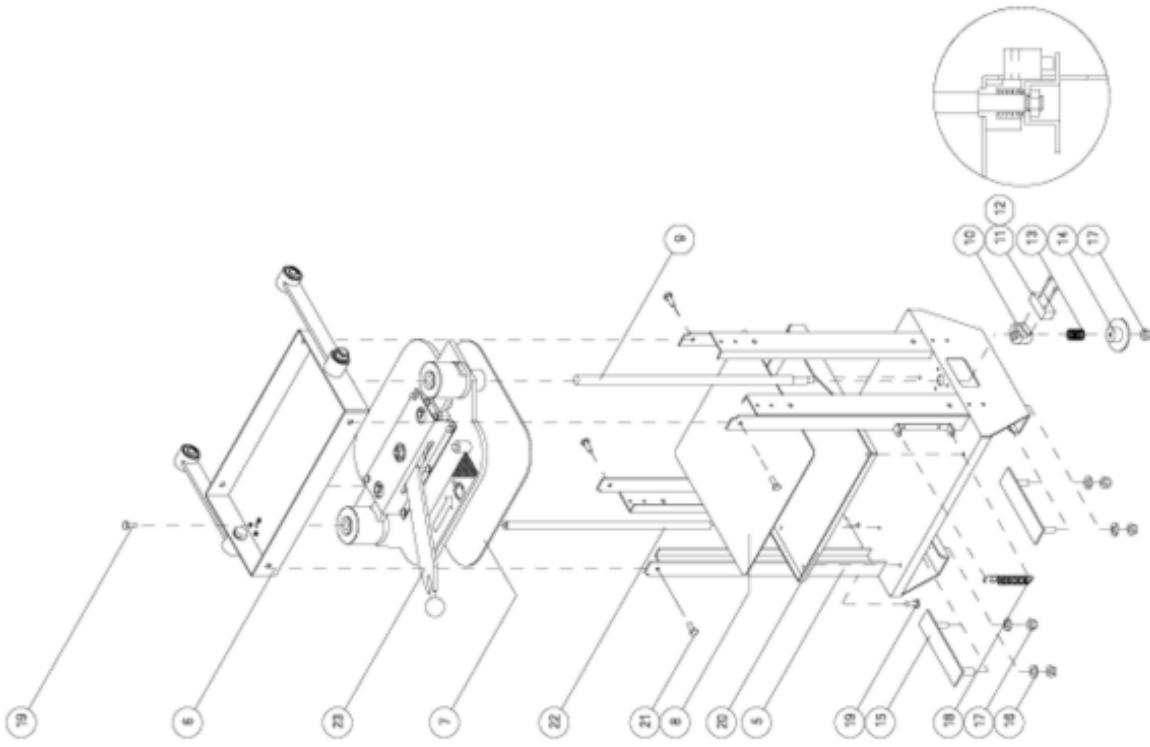
<i>ITEM</i>	<i>PART NUMBER</i>	<i>DESCRIPTION</i>	<i>REMARKS</i>
04	1860122-SP	Belt	
09	5308207-SP	Pulley SPA66,f71.6,5G-Euro	
	1663319-SP	Pulley SPA56,f61.6,BAEL,BAS,5G	
10	1861156-SP	Motor,180W,230V,50Hz,SO10/SO20	
	1861230-SP	Motor,110V,SO-10&SO-20	
12	1850286-SP	Washer M10 DIN125A set 100pcs	
13	1850261-SP	NutM8,nyloc,hex,din985,set10pc	
	1806352-SP	Shaft,SO-10,Right	
	1808410-SP	Block,Shaft,Spring	
	1850055-SP	washer M3 DIN127 set 100pcs	
	1850113-SP	washer M4x12 DIN522 set 100pcs	
	1860268-SP	Shaft,SO-10,left	
	1835106-SP	Clamping assy,connecting parts	

Page 3022 - Spring,leg,assy



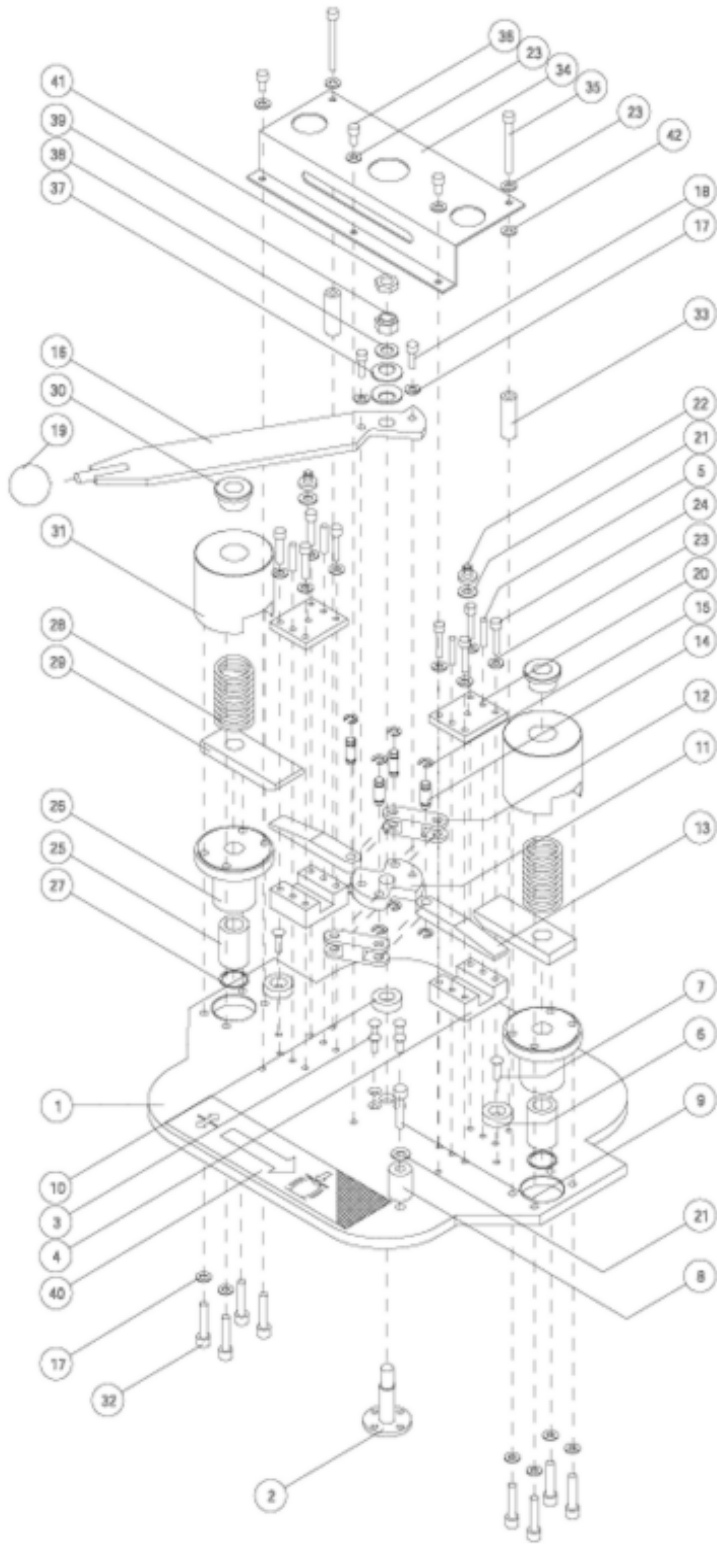
<i>ITEM</i>	<i>PART NUMBER</i>	<i>DESCRIPTION</i>	<i>REMARKS</i>
	1860487-SP	Spring leg,assy,S7	pos.1-6

Page 3030 - Shakeframe,assy



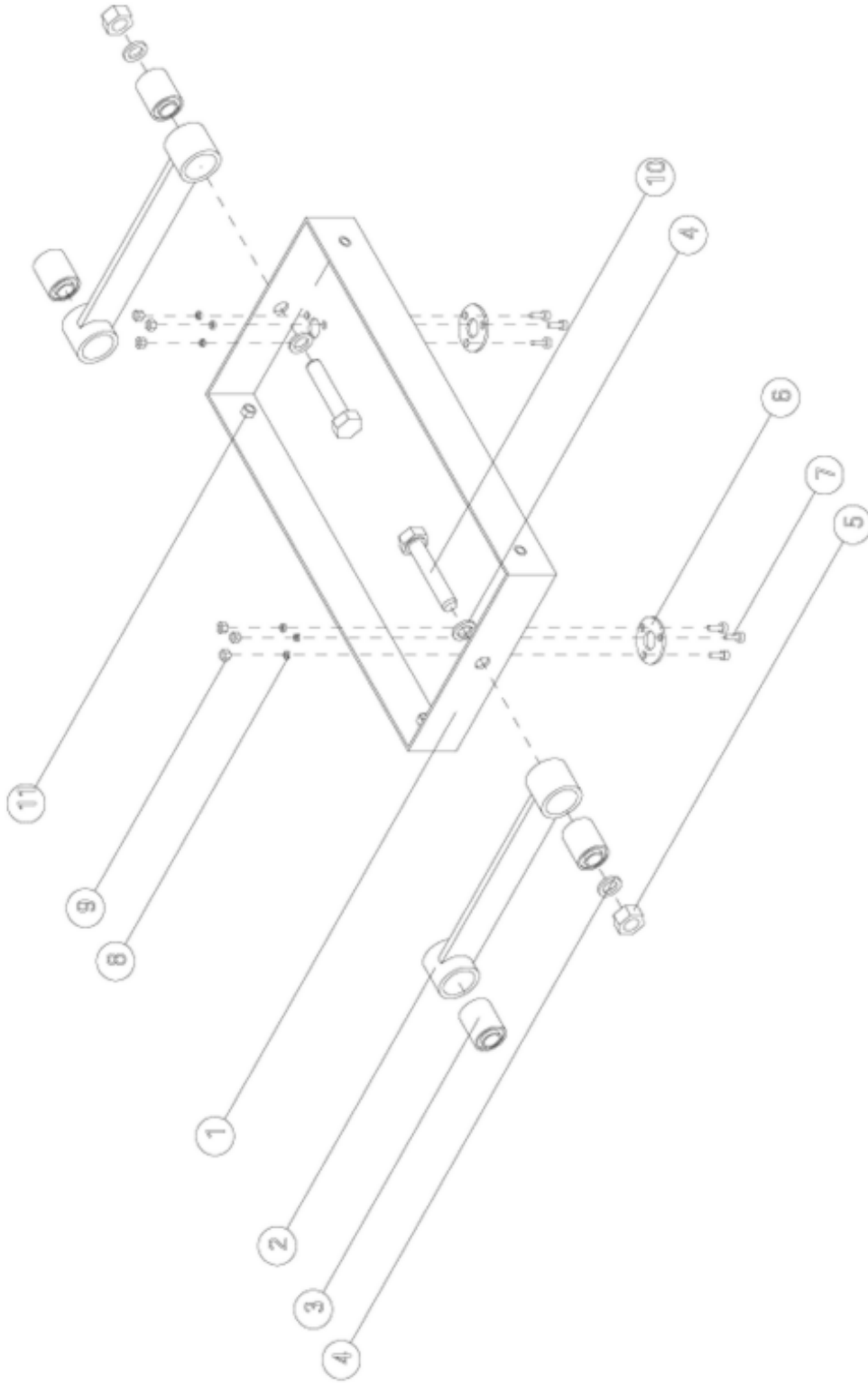
<i>ITEM</i>	<i>PART NUMBER</i>	<i>DESCRIPTION</i>	<i>REMARKS</i>
03	1835102-SP	Plate,rubber,clamp mech.	
04	1803303-SP	rubber	
07	1806692-SP	Plate,rubber,clamp,thin	
08	1806694-SP	Plate,SSt,table,SO-10m	
13	1860863-SP	Spring,d=2.2,Dm=12.8,Lo=20	
17	1850261-SP	NutM8,nyloc,hex,din985,set10pc	
18	1623120-SP	Spring,can,set,5pcs	
20	1802371-SP	can table	
	1860952-SP	Table,clamp,assy,SO10M,switch	

Page 3031 - Table,plateau,assy



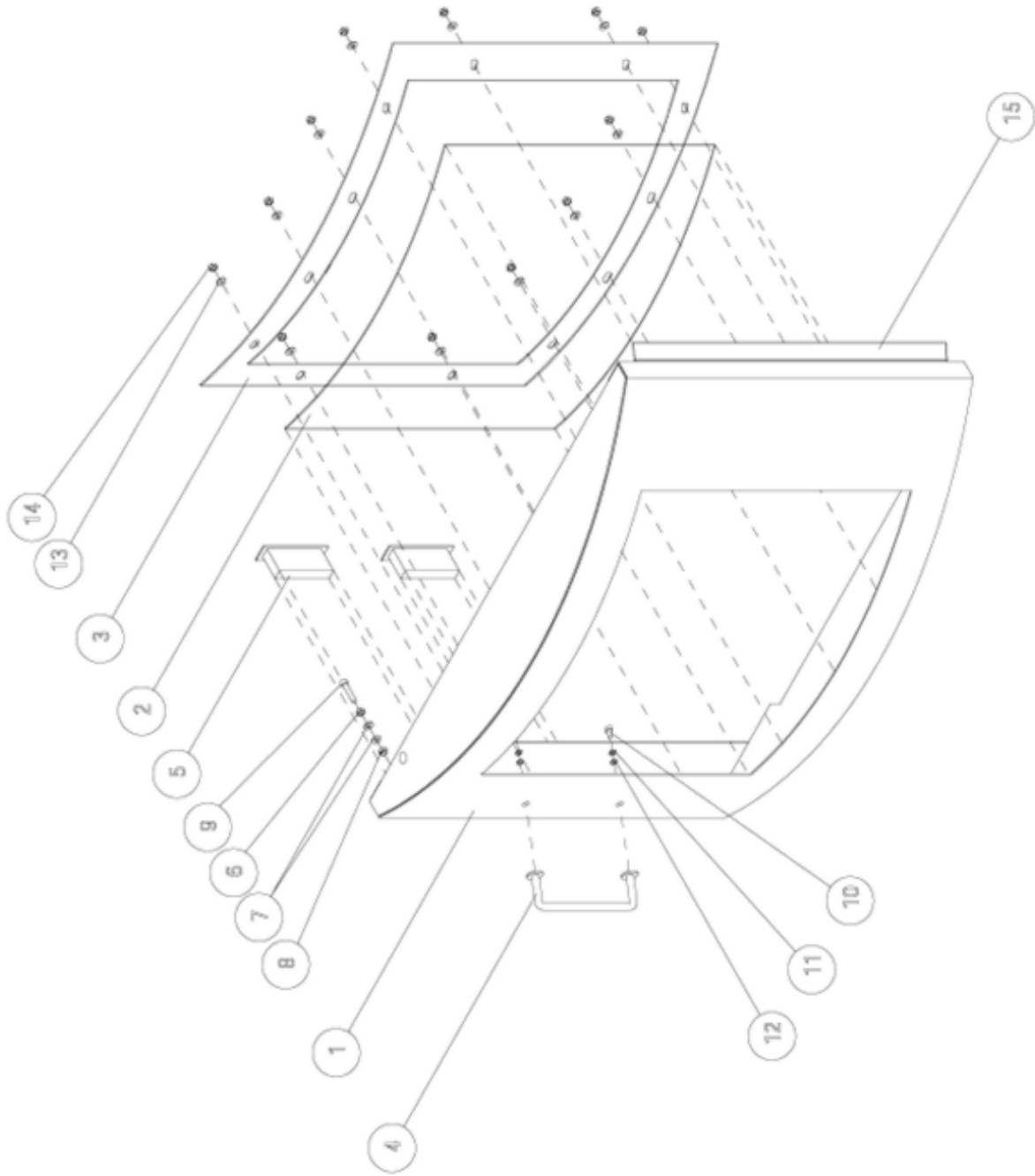
<i>ITEM</i>	<i>PART NUMBER</i>	<i>DESCRIPTION</i>	<i>REMARKS</i>
04	1835106-SP	Clamping assy,connecting parts	pos.4,5,11-15,20-24,29
08	1860264-SP	Spacer,bolt,washer set,2pcs	pos.8,9,21(2x)
11	1835112-SP	Disc,coupling,S7	
12	1835113-SP	Connecting hardened linked	
14	1835115-SP	Shaft,connecting arm,S7(4pcs)	
15	1850462-SP	Chuck,f5,retainer,DIN6799	
16	1835111-SP	lever clamp SO-10 ASSY(knop)	
25	1860092-SP	Bearing,lin,set 2pcs.	
28	1860263-SP	Spring,f13-busf25.5,Lo=25.4,S7	
33	1110220-SP	spacer,f10x30mm.set 10 pcs	
39	1850261-SP	NutM8,nyloc,hex,din985,set10pc	
42	1850110-SP	washer M4 DIN125A set 100 pcs	
	1860952-SP	Table,clamp,assy,SO10M,switch	

Page 3032 - Top,assy



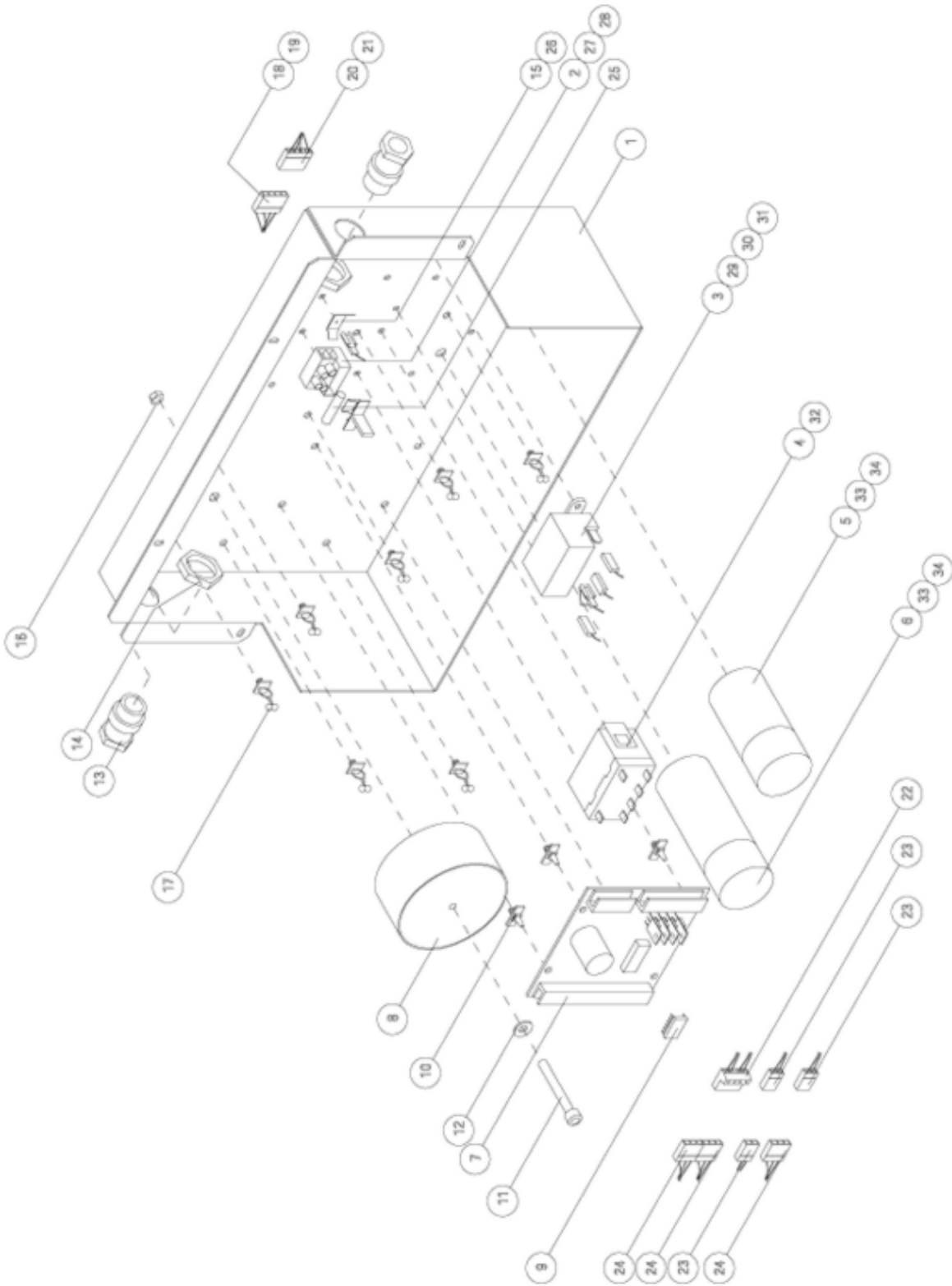
<i>ITEM</i>	<i>PART NUMBER</i>	<i>DESCRIPTION</i>	<i>REMARKS</i>
04	1850286-SP	Washer M10 DIN125A set 100pcs	
06	1835089-SP	Bush,guide,shaft SO-10,set	
07	1850049-SP	screw M3x12 DIN963 set 100pcs	
	1835080-SP	Arm,hinge,set,w/bushes,S7,2pcs	pos.2-3(2x)

Page 3040 - Door,assy



<i>ITEM</i>	<i>PART NUMBER</i>	<i>DESCRIPTION</i>	<i>REMARKS</i>
02	1860253-SP	door glass	
04	1602794-SP	Handle,door,SX-40A,set	
05	1860312-SP	Magnet,door,SO-40/30/10-S35/28	
07	1850113-SP	washer M4x12 DIN522 set 100pcs	
10	1850121-SP	Screw M4x12 so,hex,set 100 pcs	
12	1850110-SP	washer M4 DIN125A set 100 pcs	
	1860957-SP	Door,assy,SO-10m	

Page 3050 - Powerplate,assy



<i>ITEM</i>	<i>PART NUMBER</i>	<i>DESCRIPTION</i>	<i>REMARKS</i>
02	1860259-SP	Holder, fuse, 503S	
04	1610540-SP	Relay, shake motor, G5D-2243T	
07	2230010-SP	PCB, SX-35m, SO-10/SO-30	
08	1860306-SP	Trafo, 2x9V, 3.33A	
09	2230031-SP	Processor V09, 30, 60, 120sec, shak	
13	1621130-SP	Strain, relief, PG13.5, 1000 pcs	
20	1860674-SP	Connector, 4-pollig, male, crimp	
21	1860526-SP	Connector pin, male, crimp	
25	1172160-SP	Fuse, 2 Amp, set, 10 pcs	
31	1850121-SP	Screw M4x12 so, hex, set 100 pcs	
	1860424-SP	PCB, w. processor, X-35m/S7/S28	pos. 7, 10

© Fast & Fluid Management, 2005
www.Fast-Fluid.com
