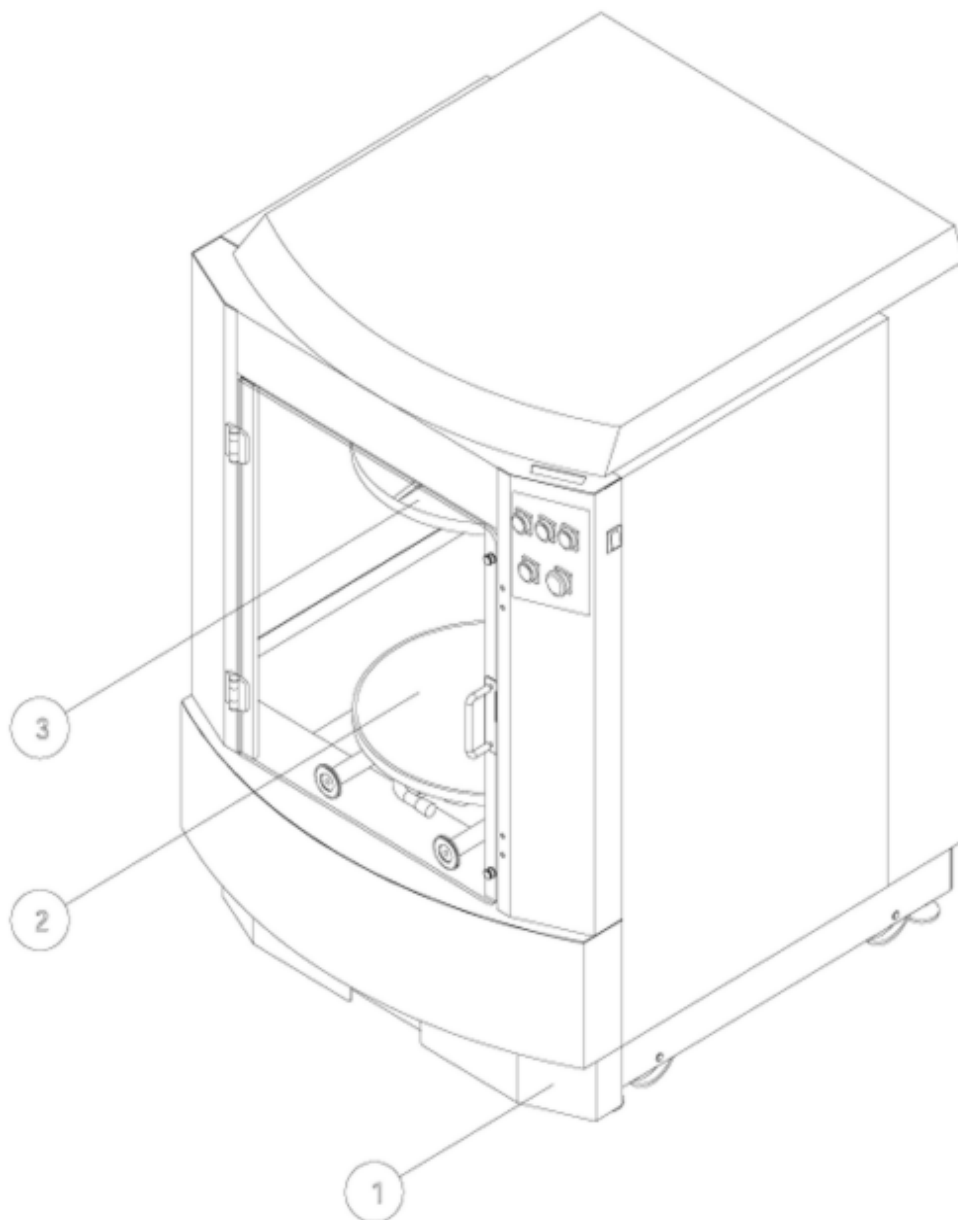




Skandex SX-40a Mixer Sparepartbook

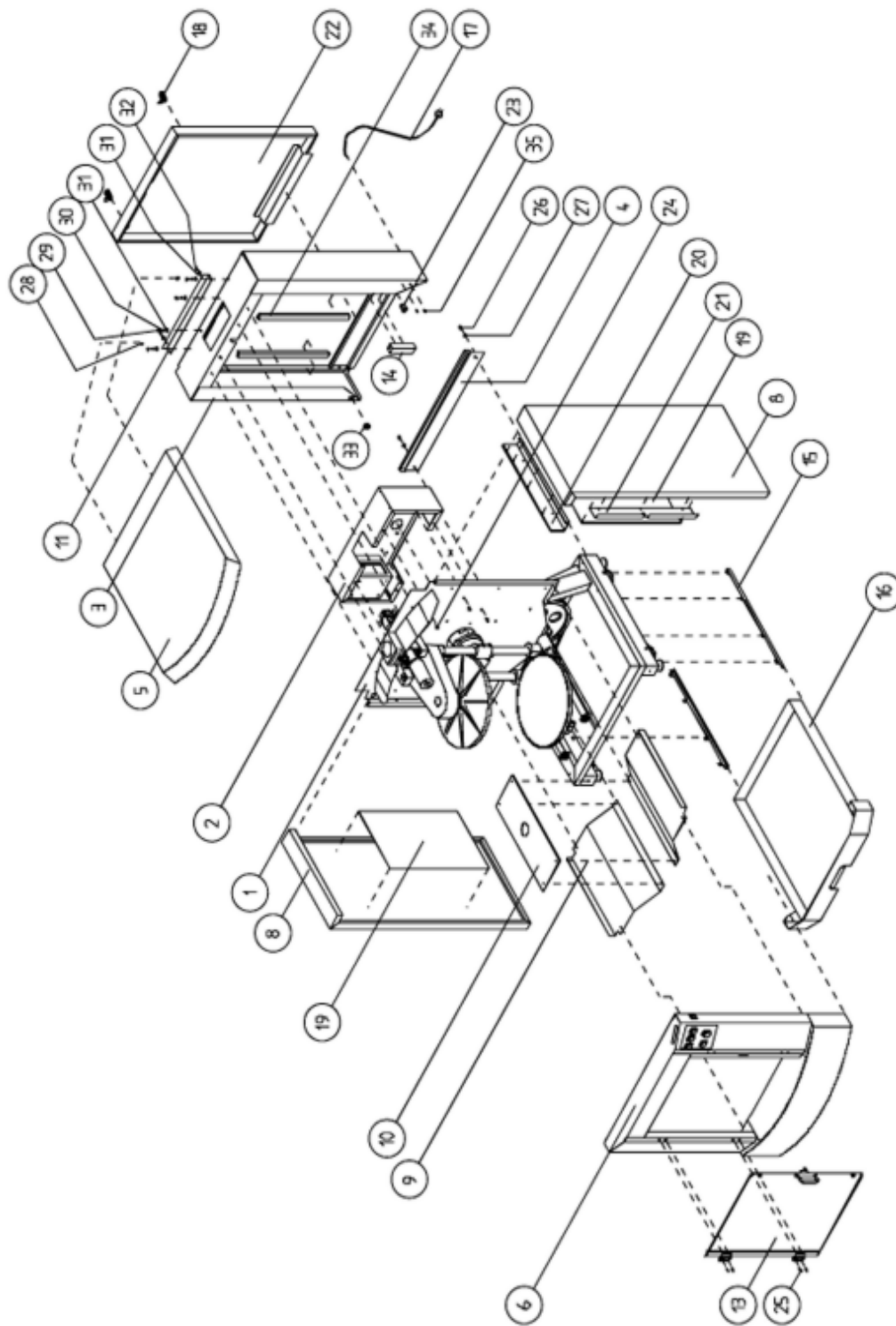
SX 40a Sparepartsbook

Page 3600 - Composition,assy,SX-40a



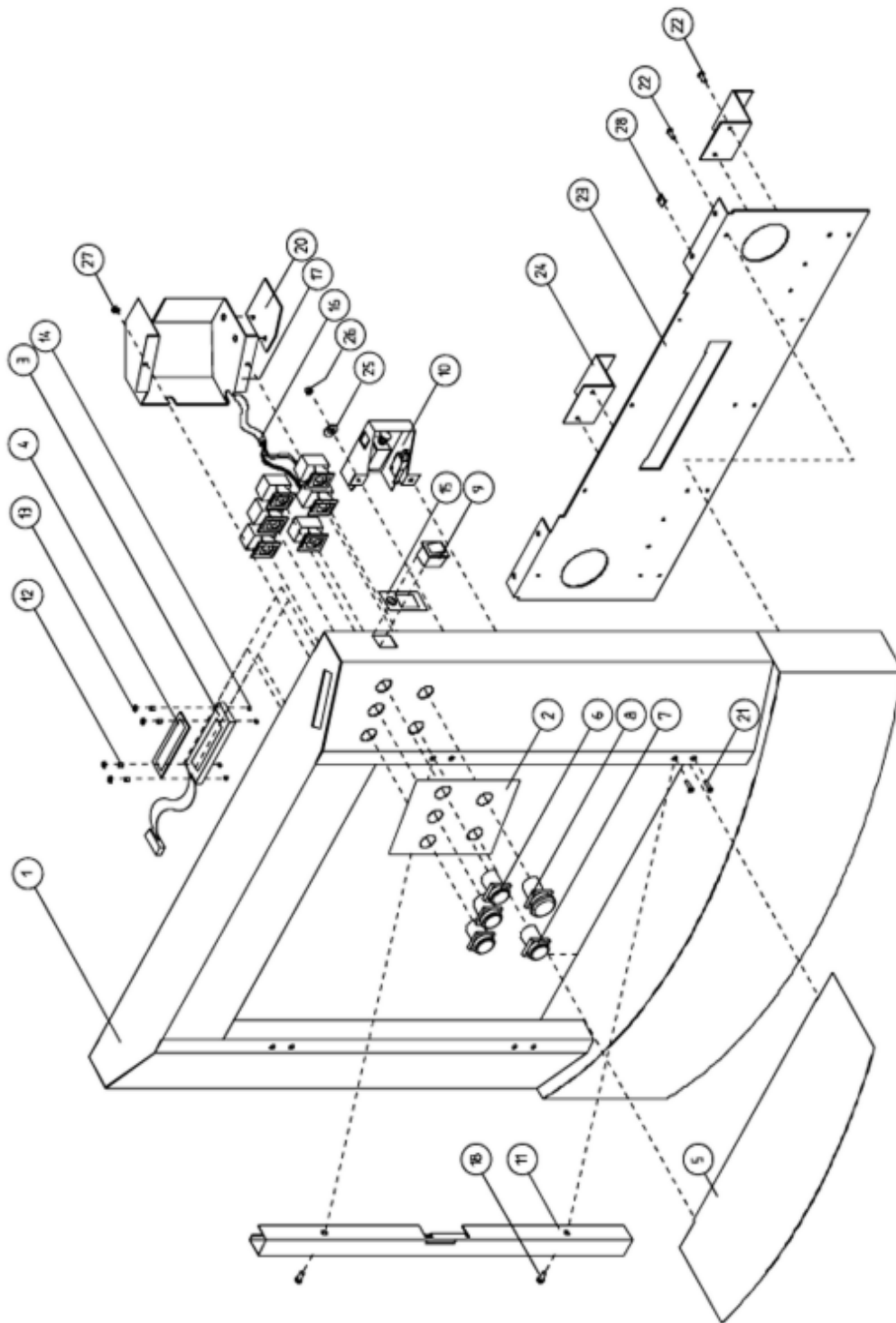
<i>ITEM</i>	<i>PART NUMBER</i>	<i>DESCRIPTION</i>	<i>REMARKS</i>
	1860745-SP	Fuse,3.15A,T,autom.,set,10pcs	
	1860343-SP	Fuse,5A,autom.,S-35a,set,10pcs	
	1175210-SP	Fuse,6.3 Amp,set,10pcs	
	1111010-SP	key,triangle	
	5109020-SP	Disc,foam,set(f170mm)	

Page 3610 - Frame,outer,assy,SX-40a



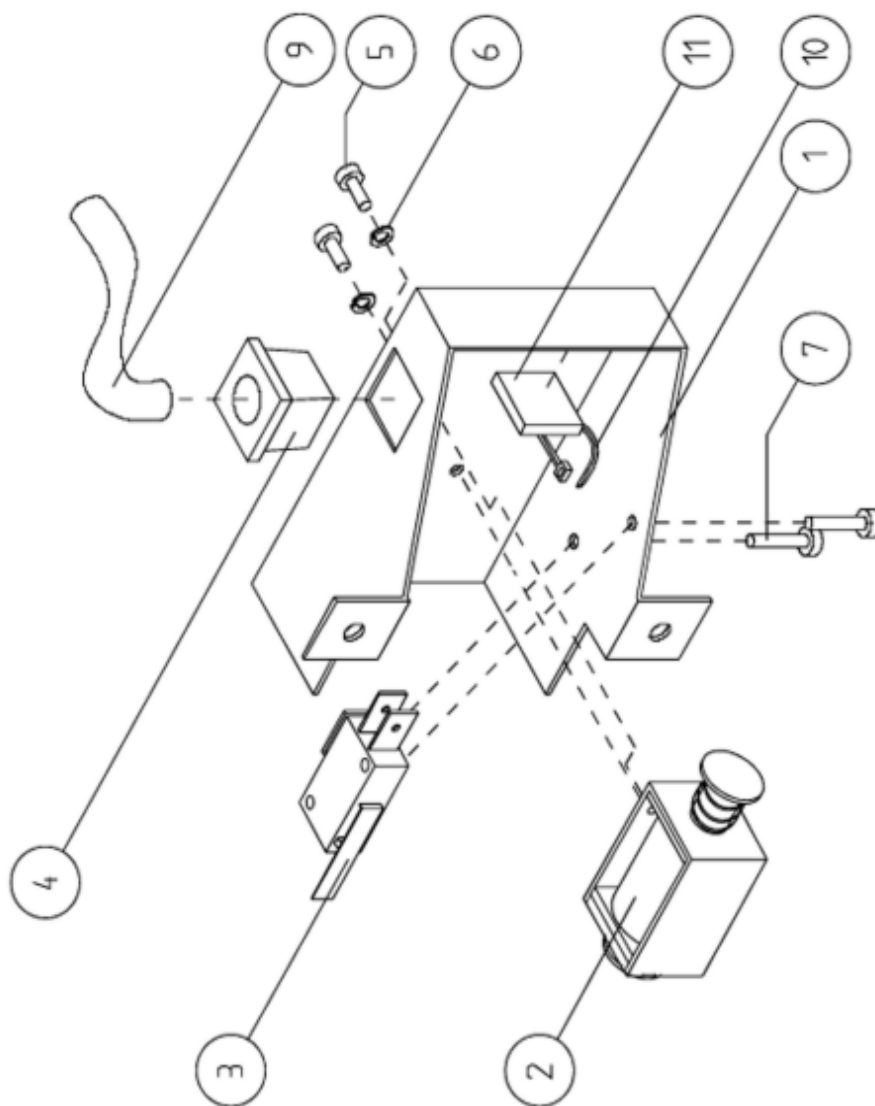
<i>ITEM</i>	<i>PART NUMBER</i>	<i>DESCRIPTION</i>	<i>REMARKS</i>
05	1861060-SP	Cover,plastic,SX-40a	
13	1805924-SP	Door,assy,SX-40a	Page 3640
23	1601617-SP	strain relief,KB-2	
28	1601475-SP	Nut,plate,M4 set25 pcs	
31	1850113-SP	washer M4x12 DIN522 set 100pcs	
	2222030-SP	Spring.do=13.75d1.25set 10pcs	

Page 3612 - Front,assy,SX-40a



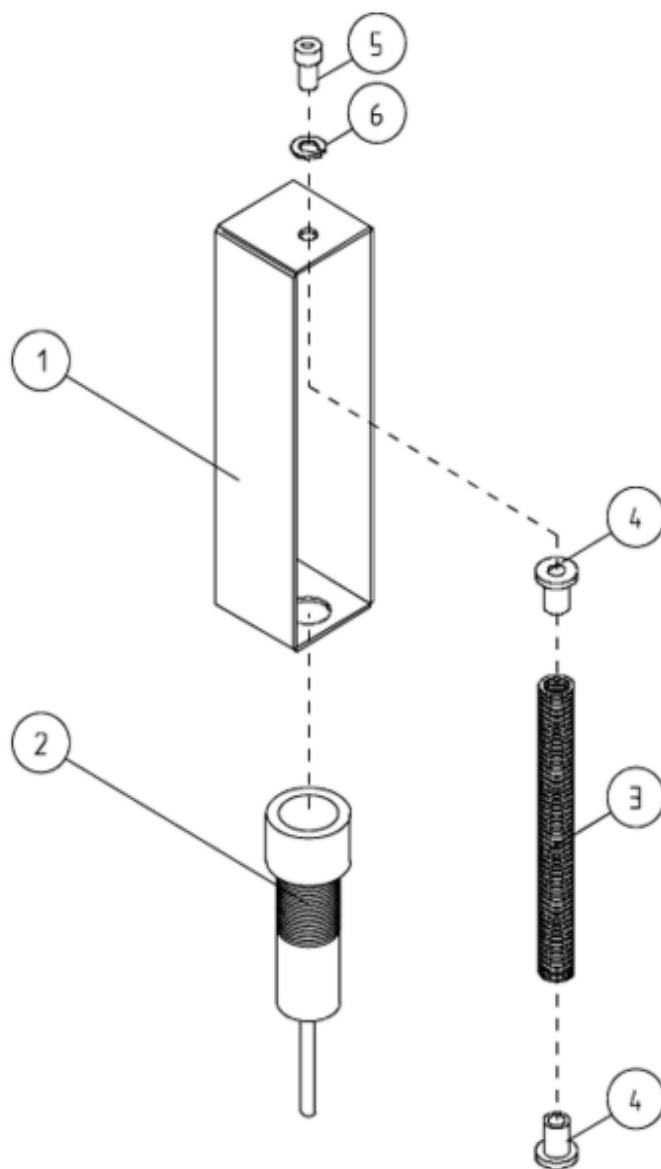
<i>ITEM</i>	<i>PART NUMBER</i>	<i>DESCRIPTION</i>	<i>REMARKS</i>
06	2316100-SP	Button,green,D1Y1G	
07	1860271-SP	red button	
08	1174010-SP	See partno. 1862235-SP	
09	1170073-SP	Switch,on/off,green,16A	
13	2221080-SP	Ring f4.3x8x1 set 100 pcs	
	1860631-SP	Displ,LCD,w/cable&cover,S-35a	Pos.3,4

Page 3613 - Doorlock,assy,SX-40a



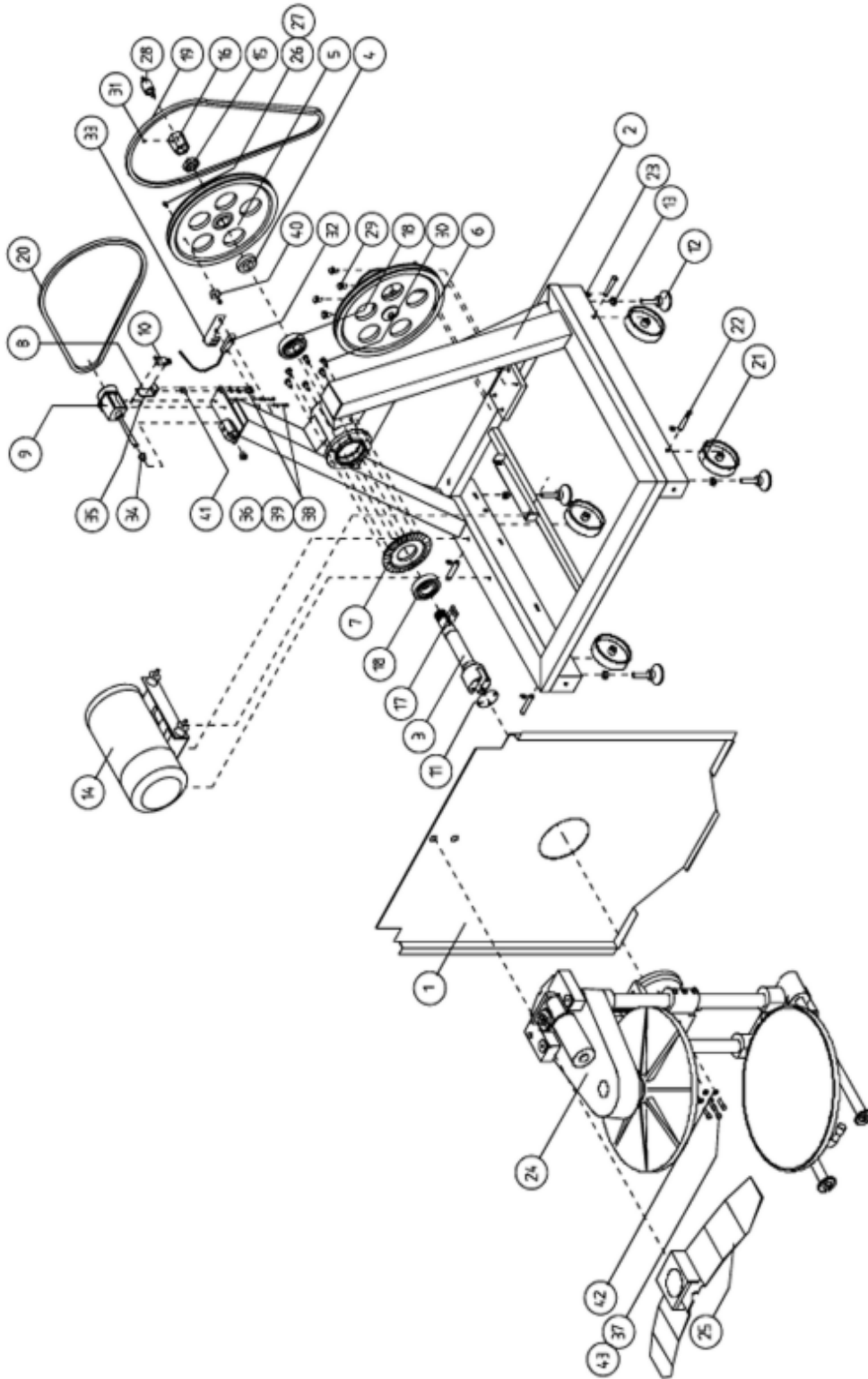
<i>ITEM</i>	<i>PART NUMBER</i>	<i>DESCRIPTION</i>	<i>REMARKS</i>
02	1860671-SP	Solenoid,Door,Switch,SO40/SX40	
03	1602709-SP	Switch,micro	
06	1850055-SP	Washer M3 DIN127 set 100pcs	

Page 3614 - Unbalance sensor,assy,SX-40a



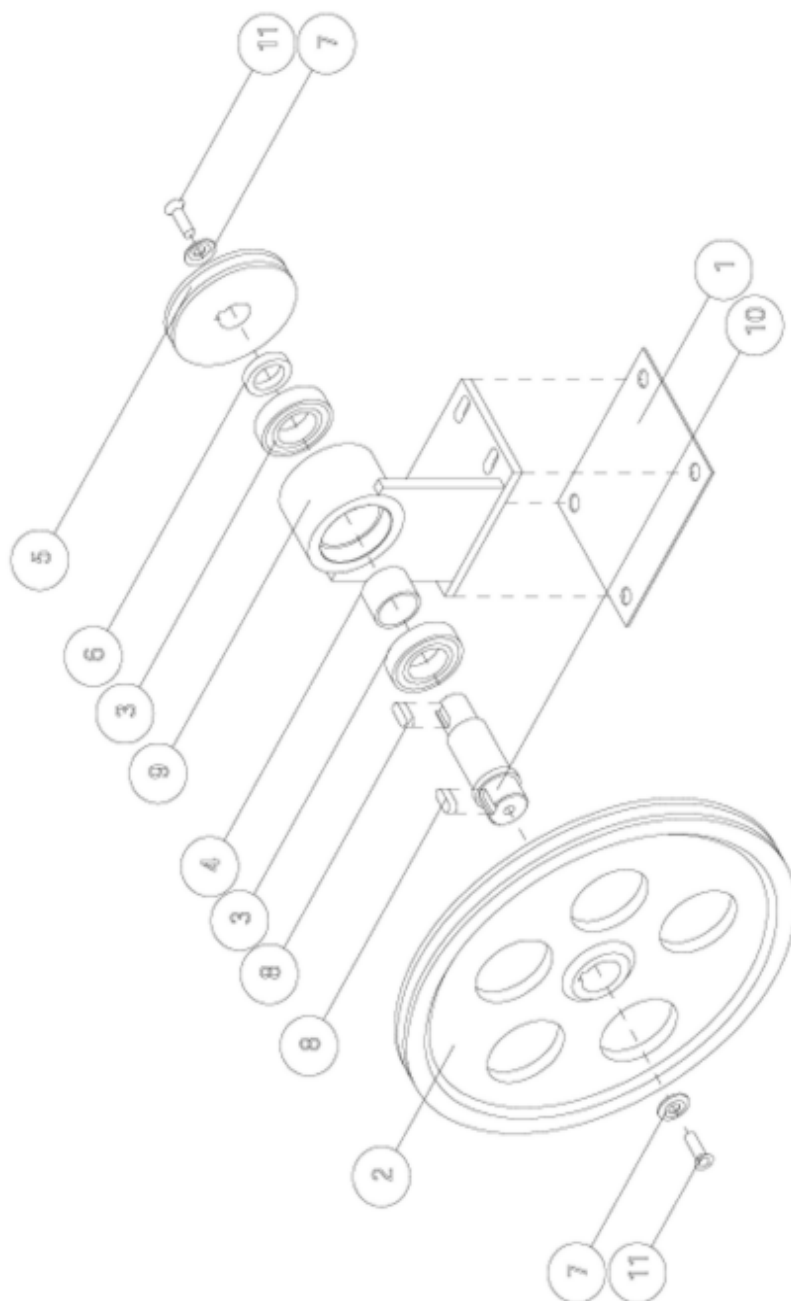
<i>ITEM</i>	<i>PART NUMBER</i>	<i>DESCRIPTION</i>	<i>REMARKS</i>
-------------	--------------------	--------------------	----------------

Page 3620 - Frame,inner,assy,SX-40a



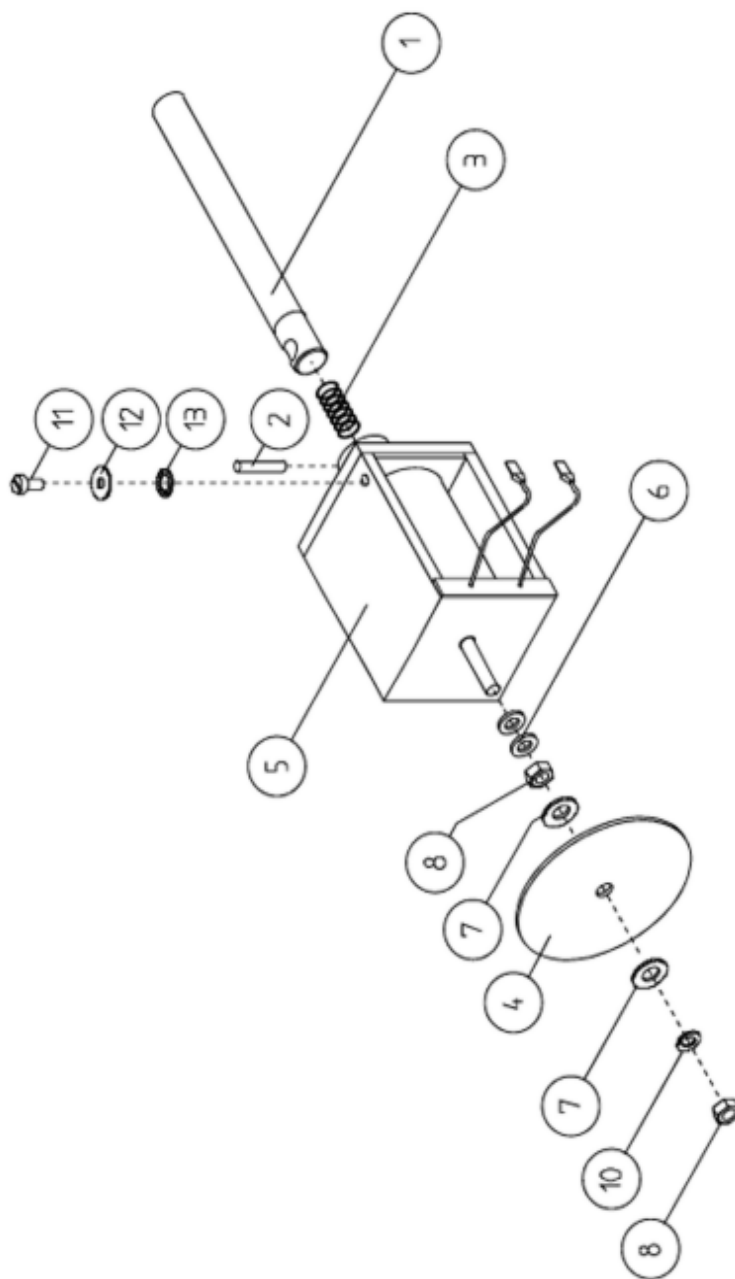
<i>ITEM</i>	<i>PART NUMBER</i>	<i>DESCRIPTION</i>	<i>REMARKS</i>
05	2210040-SP	Pulley SPA 300-1 DIN	
07	2210210-SP	Crown wheel KP 30YH,X-35	
09	2210290-SP	Lock,magnet,switch,X-35	Page 3622
10	1602708-SP	Switch,micro	
12	1808750-SP	Foot,adjustable,M10x60,4pcs	
14	1860249-SP	Motor,3-fase,0.75KW,auto,X-35	Page 3623
17	2210560-SP	Key 8x7x30DIN6885A set 25pcs	
18	2210570-SP	Bearing,angular,set,2pcs	
19	2210810-SP	Belt-V,SPA-1482,X-35	
20	1860250-SP	Belt VSPA-1207 X-35	
21	1860277-SP	Wheel,nylon+bolt's&nut's,4pcs	
28	1860764-SP	Conductor,axial,230V,30A,SX40a	
32	1860811-SP	Contact,Reed,SO/SX	
36	1850110-SP	washer M4 DIN125A set 100 pcs	
	1860909-SP	Foot,adjust.,antislip,M10,4pcs	Pos.12,13
	2221080-SP	Ring f4.3x8x1 set 100 pcs	
	2222030-SP	Spring.d0=13.75d=1.25set 10pcs	

Page 3621 - Pulley & shaft,assy,SX-40a



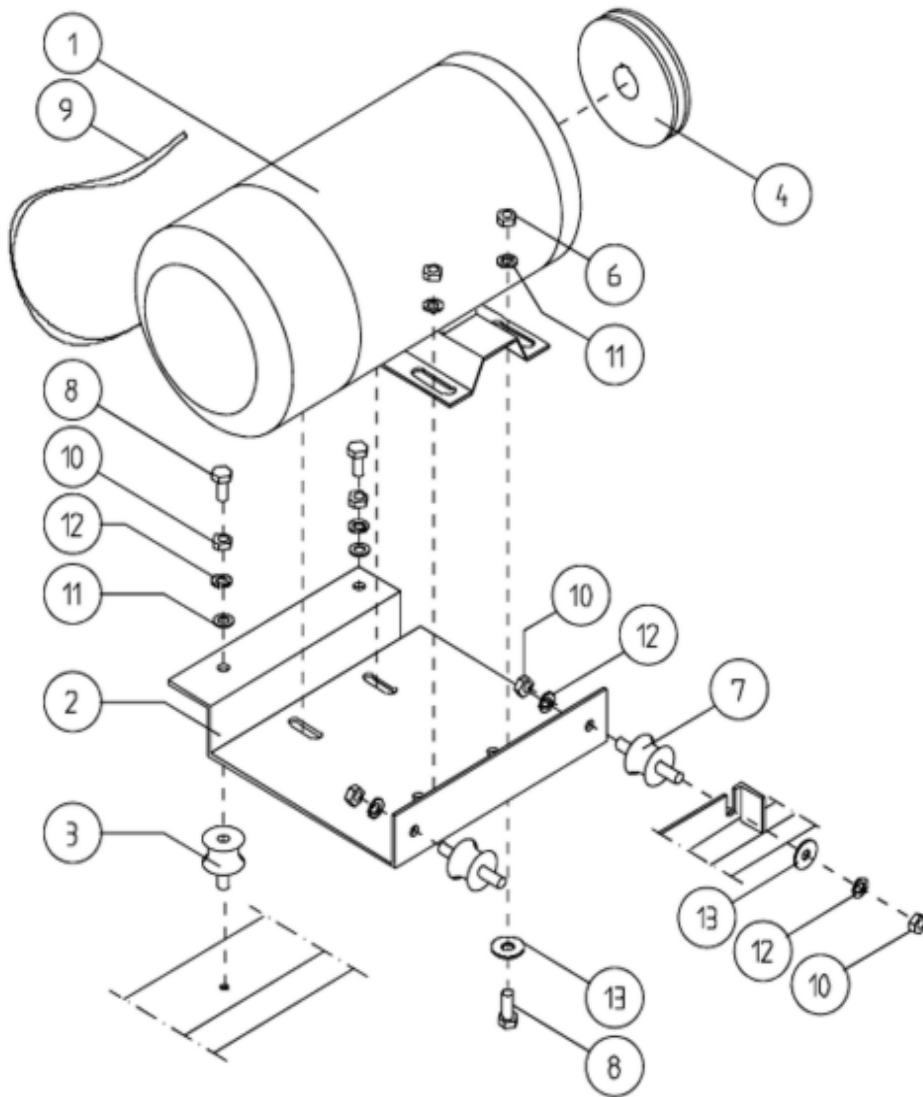
<i>ITEM</i>	<i>PART NUMBER</i>	<i>DESCRIPTION</i>	<i>REMARKS</i>
02	2210040-SP	Pulley SPA 300-1 DIN	
03	2220020-SP	Bearing,ball,6006 ZZ	
05	2210330-SP	Pulley,spa,90-1,96,x35/sx40a	

Page 3622 - Magnetswitch,assy,SX-40a



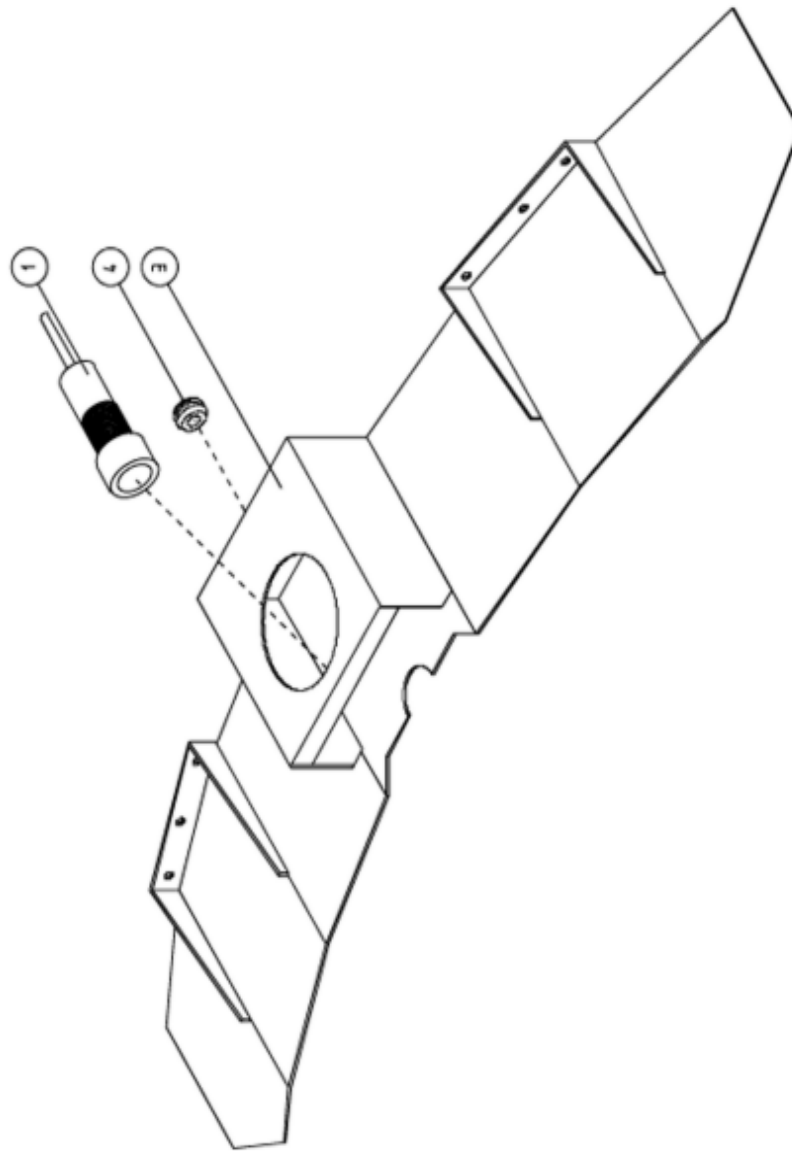
<i>ITEM</i>	<i>PART NUMBER</i>	<i>DESCRIPTION</i>	<i>REMARKS</i>
04	2221060-SP	Ring,magnet,switch,X-35	
05	1860024-SP	Magnet,138M296090,X-35m/a	
06	2221080-SP	Ring f4.3x8x1 set 100 pcs	
07	1850110-SP	washer M4 DIN125A set 100 pcs	
	2210290-SP	Lock,magnet switch,X-35	pos.1-8,10-13

Page 3623 - Motor,drive,assy,SX-40a



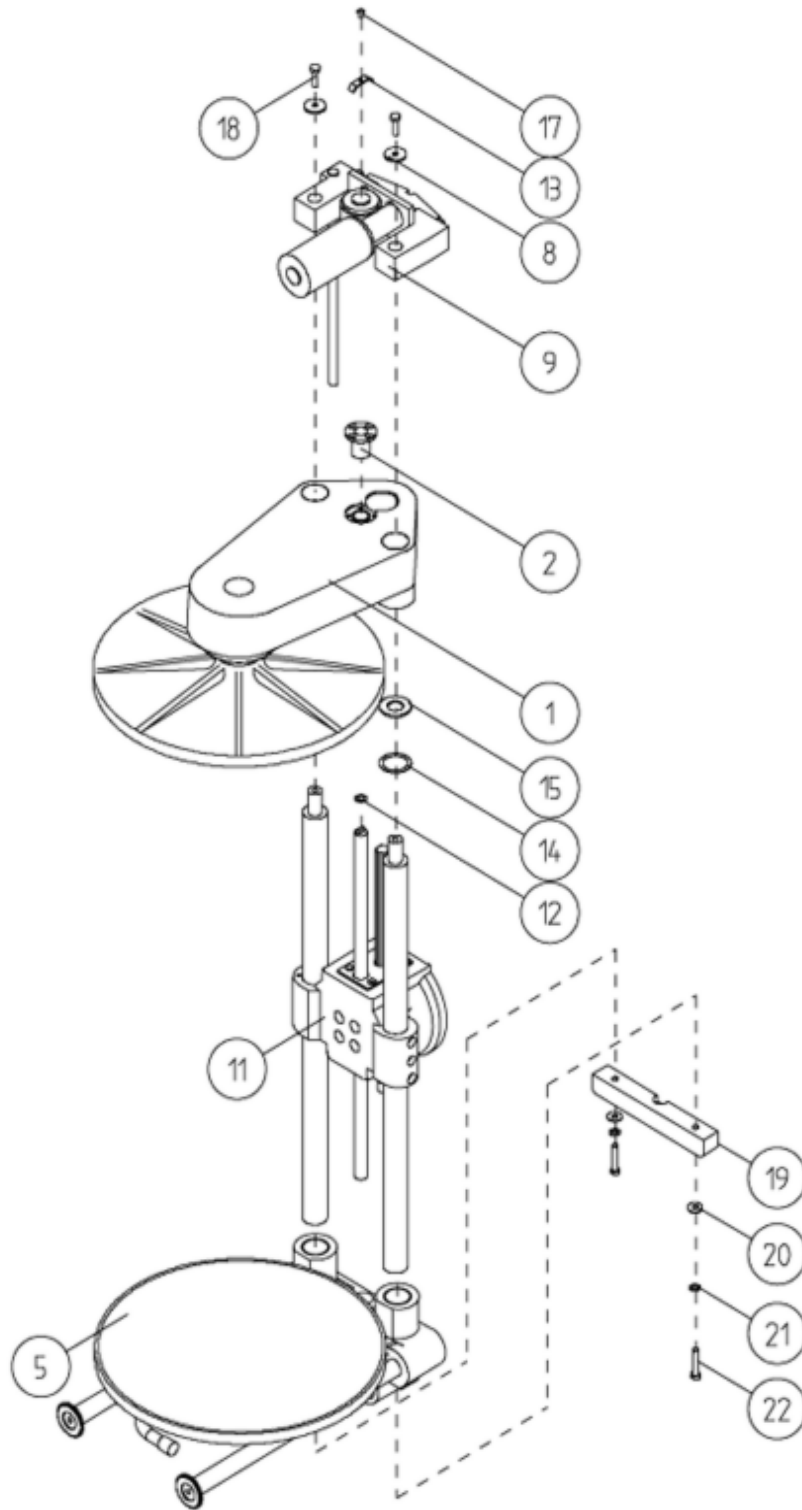
<i>ITEM</i>	<i>PART NUMBER</i>	<i>DESCRIPTION</i>	<i>REMARKS</i>
01	1860249-SP	Motor,3-fase,0.75KW,auto,X-35	Pos.1,9
03	1860296-SP	Absorber,shock,TA30x25set,2pcs	
06	1850261-SP	NutM8,nyloc,hex,DIN985,set10pc	
07	1860295-SP	Absorber,shock,TA30x20set,2pcs	
	1861598-SP	Motor,drive,basic,assy,SX-40a	pos.2,4,6-13

Page 3624 - Opto-coupler,assy,SX-40a



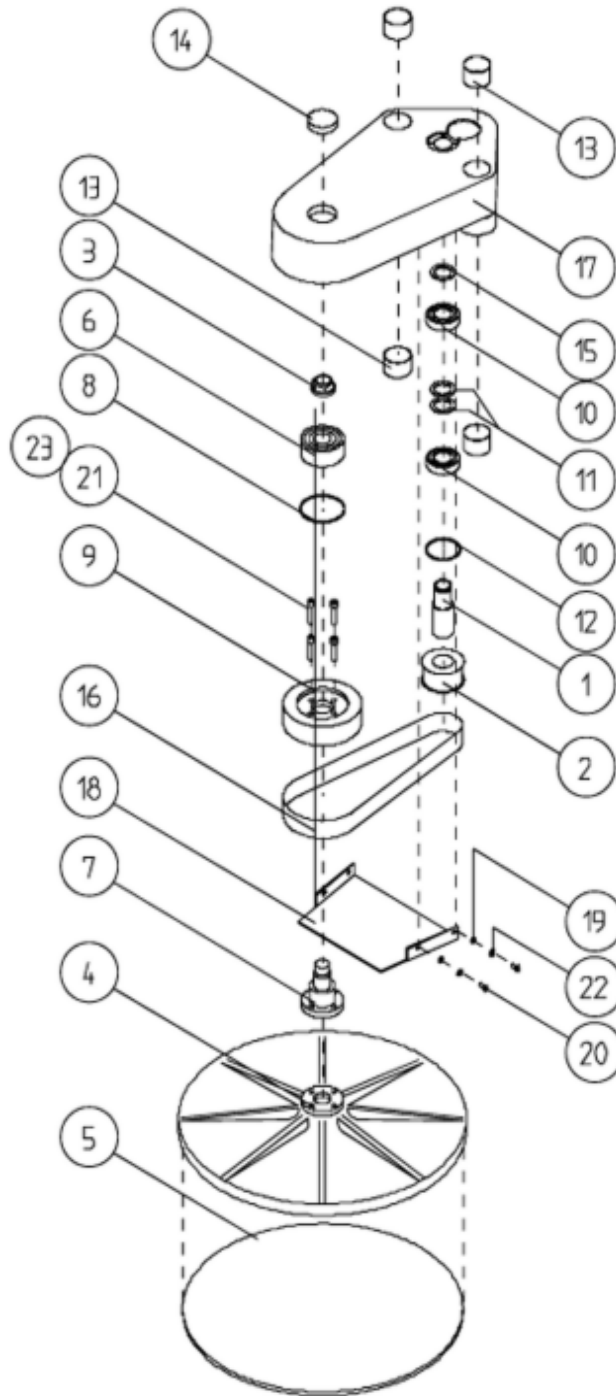
<i>ITEM</i>	<i>PART NUMBER</i>	<i>DESCRIPTION</i>	<i>REMARKS</i>
01	1176103-SP	Cable,sensor,encoder,SX_40a	

Page 3630 - Shakeframe,assy,SX-40a



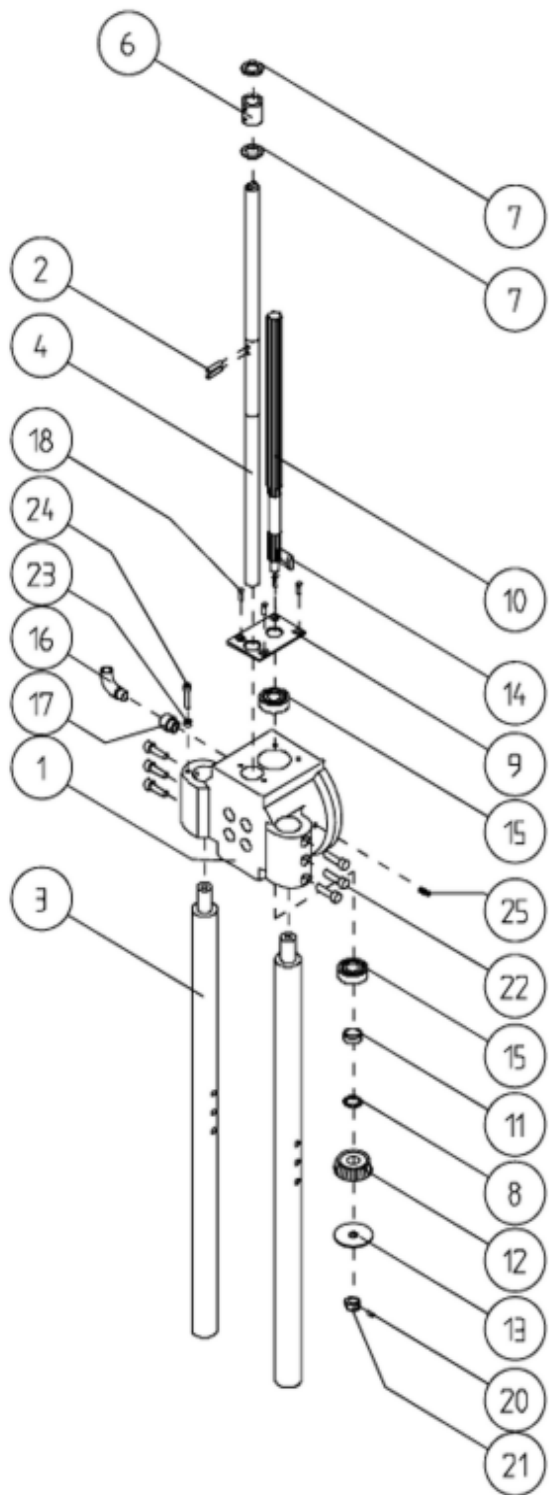
<i>ITEM</i>	<i>PART NUMBER</i>	<i>DESCRIPTION</i>	<i>REMARKS</i>
01	1804928-SP	Plate,upper,assy,clamp,X-40a	Page 3631
02	2212110-SP	T-nut lifting f44*36	
05	1805825-SP	Plate,under,guide,assy,SX-40a	Page 3633
09	1806075-SP	Unit,clamp,assy,SX-40a	Page 3635
11	1860893-SP	Spindle,assy,SX-40a	Page 3632
	2222030-SP	Spring.do=13.75d=1.25set 10pcs	

Page 3631 - Upperplate,assy,SX-40a



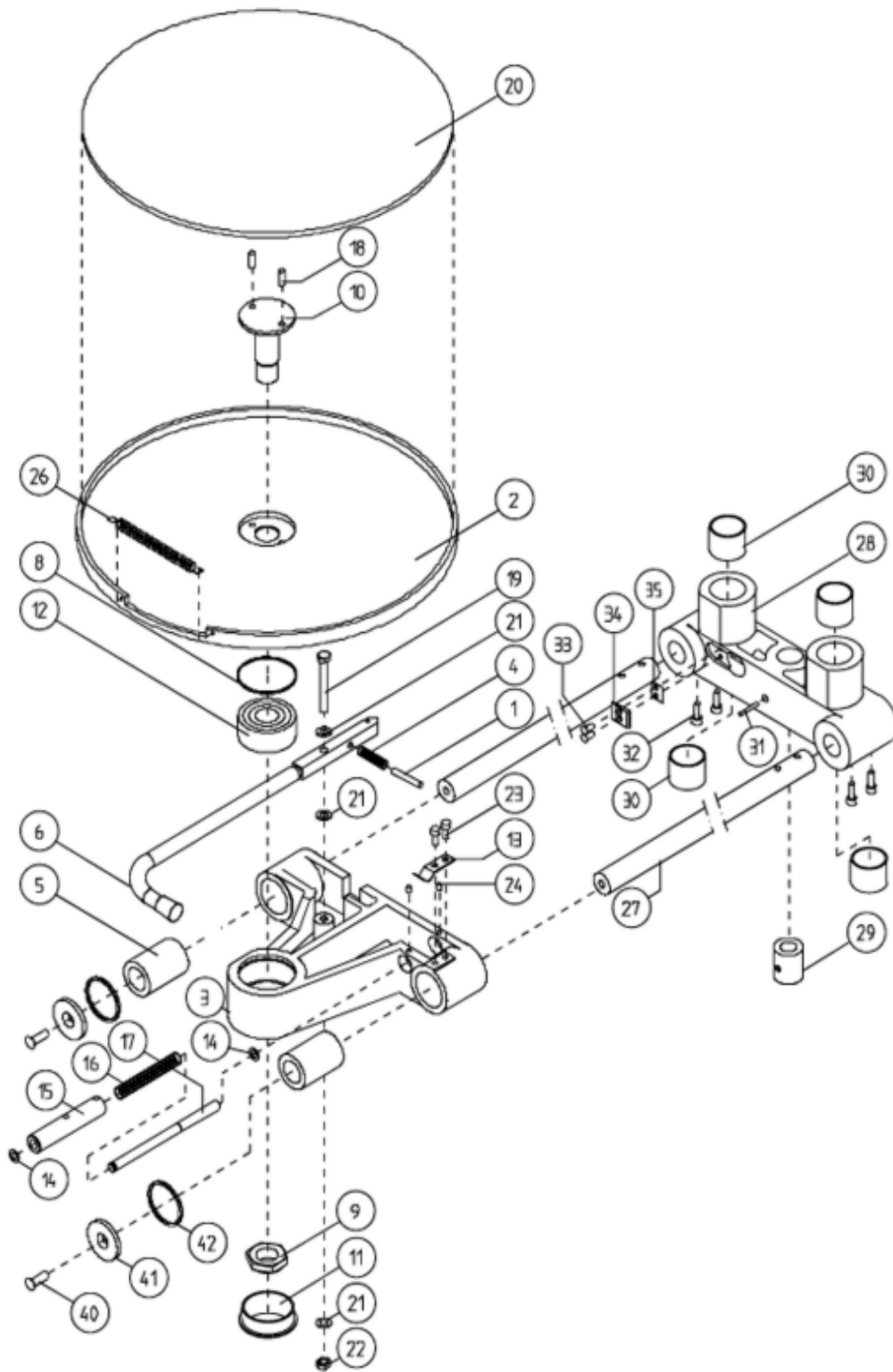
<i>ITEM</i>	<i>PART NUMBER</i>	<i>DESCRIPTION</i>	<i>REMARKS</i>
01	2223010-SP	Shaft, tap, ø30p6, SX-40a	
02	2223020-SP	Pulley timing 14H100-6F, X-35	
05	1804927-SP	Plate, rubber, clamping, X-40a	
06	2212040-SP	Bearing, angular, 3205 ZZ	
07	2212050-SP	Shaft, upperplate, X-35	
09	2212090-SP	Pulley timing gear 35 28/100	
10	1160170-SP	Bearing, ball, 6005 ZZ	
11	2212150-SP	Ring, fit, 25x35x2, 10pcs	
12	2212160-SP	Ring, retaining, 47x1.75	
13	2212180-SP	Sleeve sliding pap 3530 p10	
16	1860729-SP	Belt, timing, 330H	
19	1850110-SP	washer M4 DIN125A set 100 pcs	
	2212170-SP	Pulley assy, upperplate, X-35	Pos. 1-2
	1804928-SP	Plate, upper, assy, clamp, X-40a	Pos. 1-23

Page 3632 - Centerhouse,assy,SX-40a



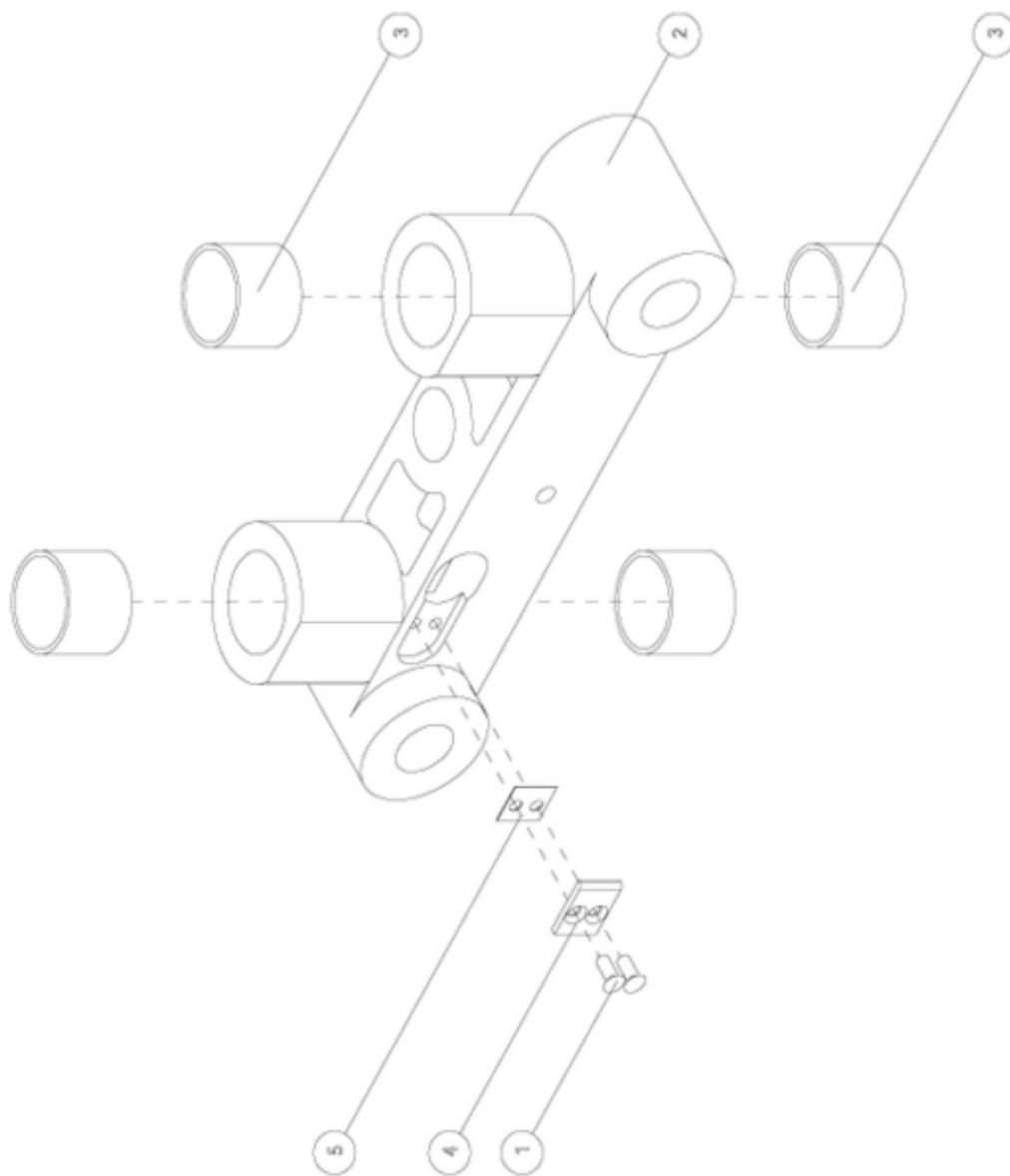
<i>ITEM</i>	<i>PART NUMBER</i>	<i>DESCRIPTION</i>	<i>REMARKS</i>
01	2210060-SP	House,center,block,SX-40m/a	
03	2210130-SP	Guide column	
04	1806429-SP	Spindle,Tr18x4,SX-40a,set	
06	2210240-SP	Bush,stop,f28x27	
10	2210200-SP	Shaft,C71-KW16-1000,X-35	
12	2210620-SP	Pinion,KP 30 XH,X-35	
15	2210840-SP	Bearing,angular,7203BE 2RS	
20	1850116-SP	Screw,M4x5,set,socket,	
21	1660847-SP	Nut,lock,lead screw,M12	
	1860893-SP	Spindle,assy,SX-40a	Pos. 1-4,6-18,20-25

Page 3633 - Underplate,assy,SX-40a



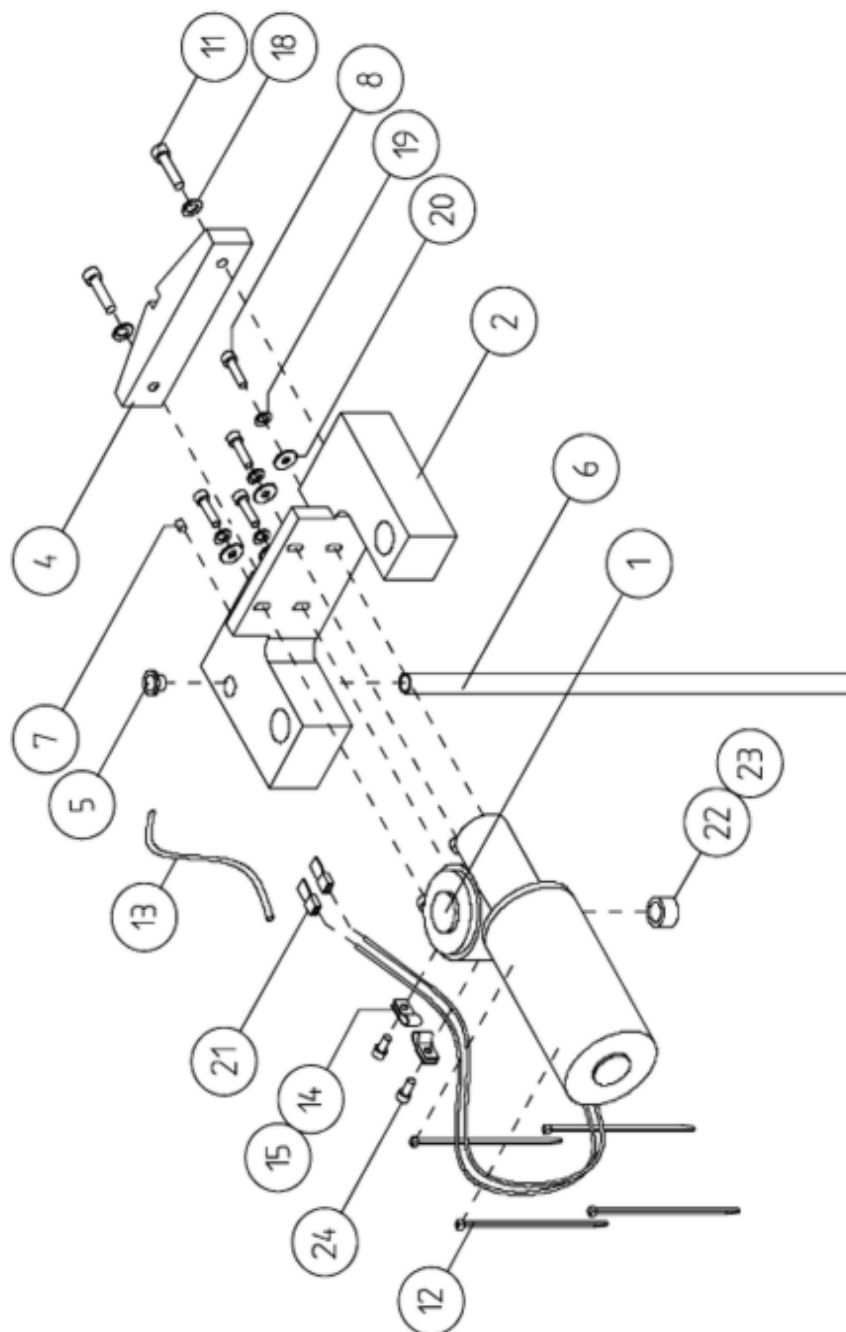
<i>ITEM</i>	<i>PART NUMBER</i>	<i>DESCRIPTION</i>	<i>REMARKS</i>
04	2213020-SP	Spring, Compr, Dm, set, 10pcs	
05	2213040-SP	Bearing, bushing, set, 2pcs	
06	1805809-SP	Rod, release, set, X-40a	
16	2222030-SP	Spring, Do= 13.75, d= 1.25set 10pcs	
20	1804927-SP	Plate, rubber, clamping, X-40a	
22	1850261-SP	NutM8, nyloc, hex, DIN985, set10pc	
26	1623120-SP	Spring, can, set, 5pcs	
29	2210150-SP	Nut, lift, Tr18X4-rh	
30	2212180-SP	Sleeve sliding pap 3530 p10	
31	1850252-SP	Screw, M8x20, DIN916, set, 25pcs	
34	2215020-SP	Plate, 26x20x3, set	
	1805825-SP	Plate, under, guide, assy, SX-40a	Pos. 1-35, 40-42 Page 3630: Pos. 19-22
	2213210-SP	Bracket, spring, 52x15x2, X-35	Pos. 8, 9, 11, 12

Page 3634 - Guidingblock,assy,SX-40a



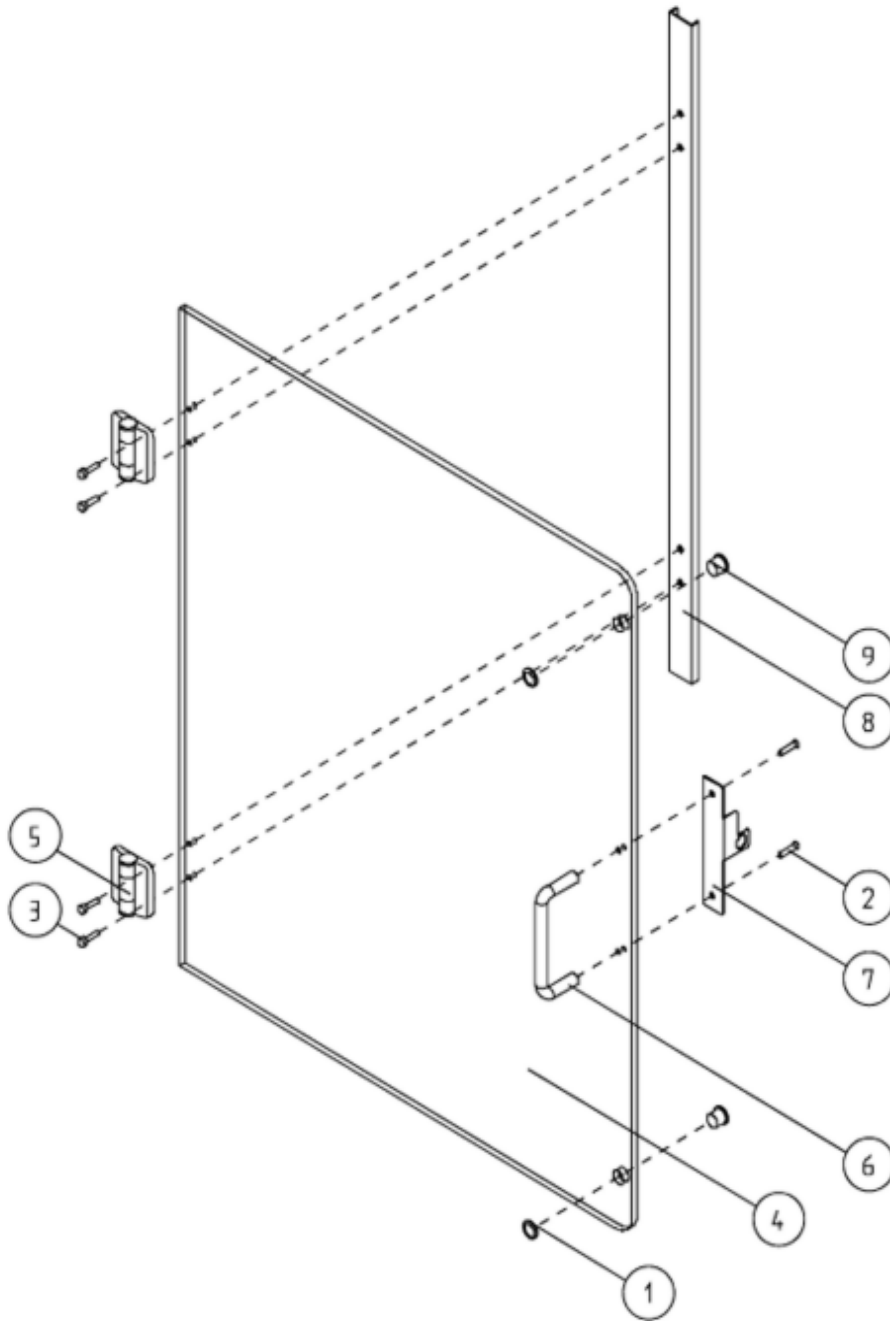
<i>ITEM</i>	<i>PART NUMBER</i>	<i>DESCRIPTION</i>	<i>REMARKS</i>
-------------	--------------------	--------------------	----------------

Page 3635 - Clampmotor,assy,SX-40a



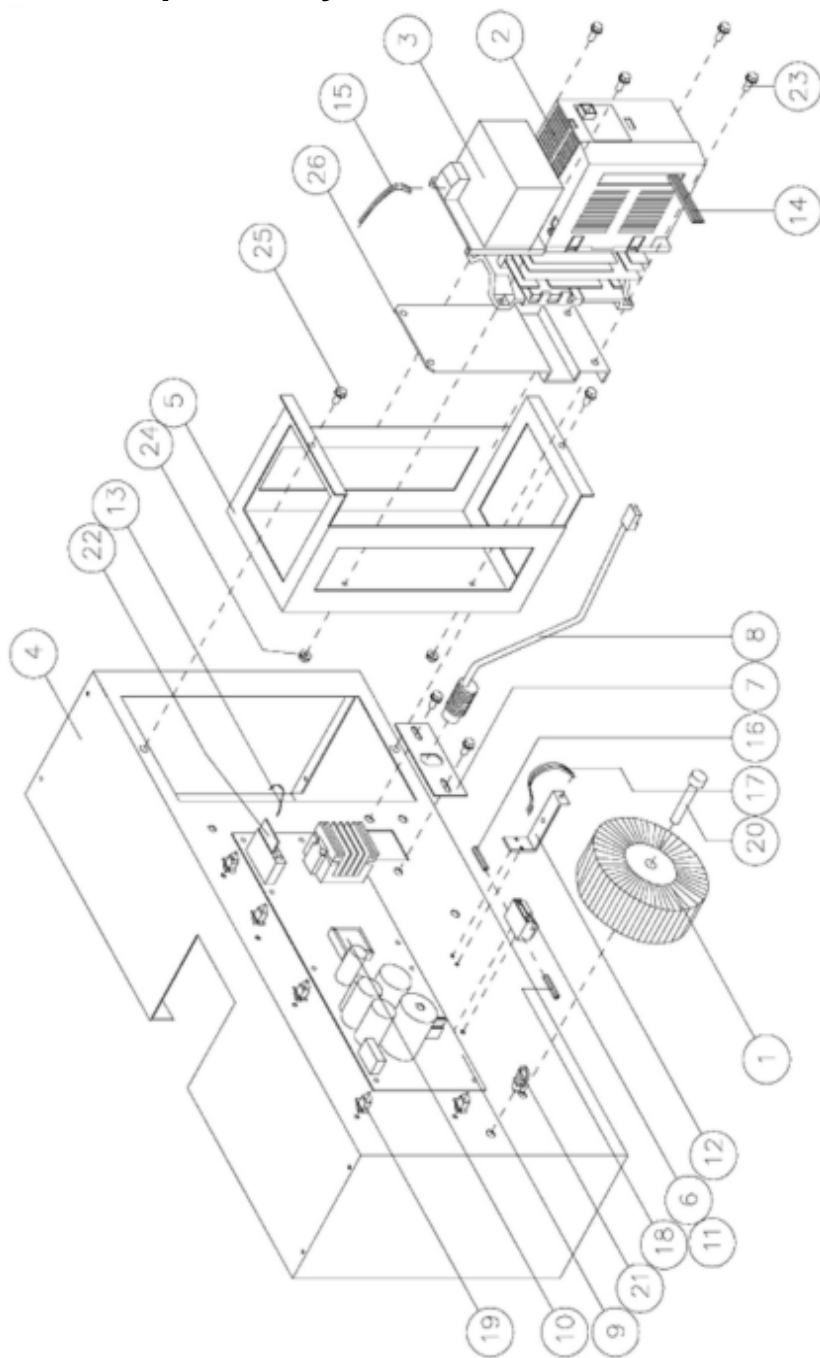
<i>ITEM</i>	<i>PART NUMBER</i>	<i>DESCRIPTION</i>	<i>REMARKS</i>
01	1860878-SP	Motor,clamp,SX-40a	
04	2210100-SP	Stop,strip	
	1806075-SP	Unit,clamp,assy,SX-40a	Pos.1,2,4-8,11,12,14, 15,18-20,22,24

Page 3640 - Door,assy,SX-40a



<i>ITEM</i>	<i>PART NUMBER</i>	<i>DESCRIPTION</i>	<i>REMARKS</i>
01	1850455-SP	Circlip,f13,DIN471-A,set100pcs	
05	1860765-SP	Hinge,door,SX-40a,set	
06	1602794-SP	Handle,door,SX-40a,set	
09	1602723-SP	Lock,magnet(nr.2732-2 HABO)	
	1805924-SP	Door,assy,SX-40a	

Page 3650 - Powerplate,assy,SX-40a



<i>ITEM</i>	<i>PART NUMBER</i>	<i>DESCRIPTION</i>	<i>REMARKS</i>
01	1860344-SP	Transformer,225VA,2x18V,220V	
02	1861006-SP	Freq,reg,ABB,ACS141-1K6-1,220	
06	1860259-SP	Holder,fuse,503S	
07	1807373-SP	Plate,adjust,sensor,home,SX-40	
08	1807366-SP	Sensor,home,assy,SX-40a	
09	1860707-SP	Board,A,clamp,SO40a,w/o Proc	
10	1860734-SP	Processor,SX-40a	
11	1175210-SP	Fuse,6.3 Amp,set,10pcs	
22	1860745-SP	Fuse,3.15A,T,autom.,set,10pcs	
	1862525-SP	Relay,for,shakerboard,1860707	
	1861224-SP	PCB,autoclamp,SX-40a,with proc	Pos.9,10

© Fast & Fluid Management, 2005
www.Fast-Fluid.com
