

## FA80-Combi

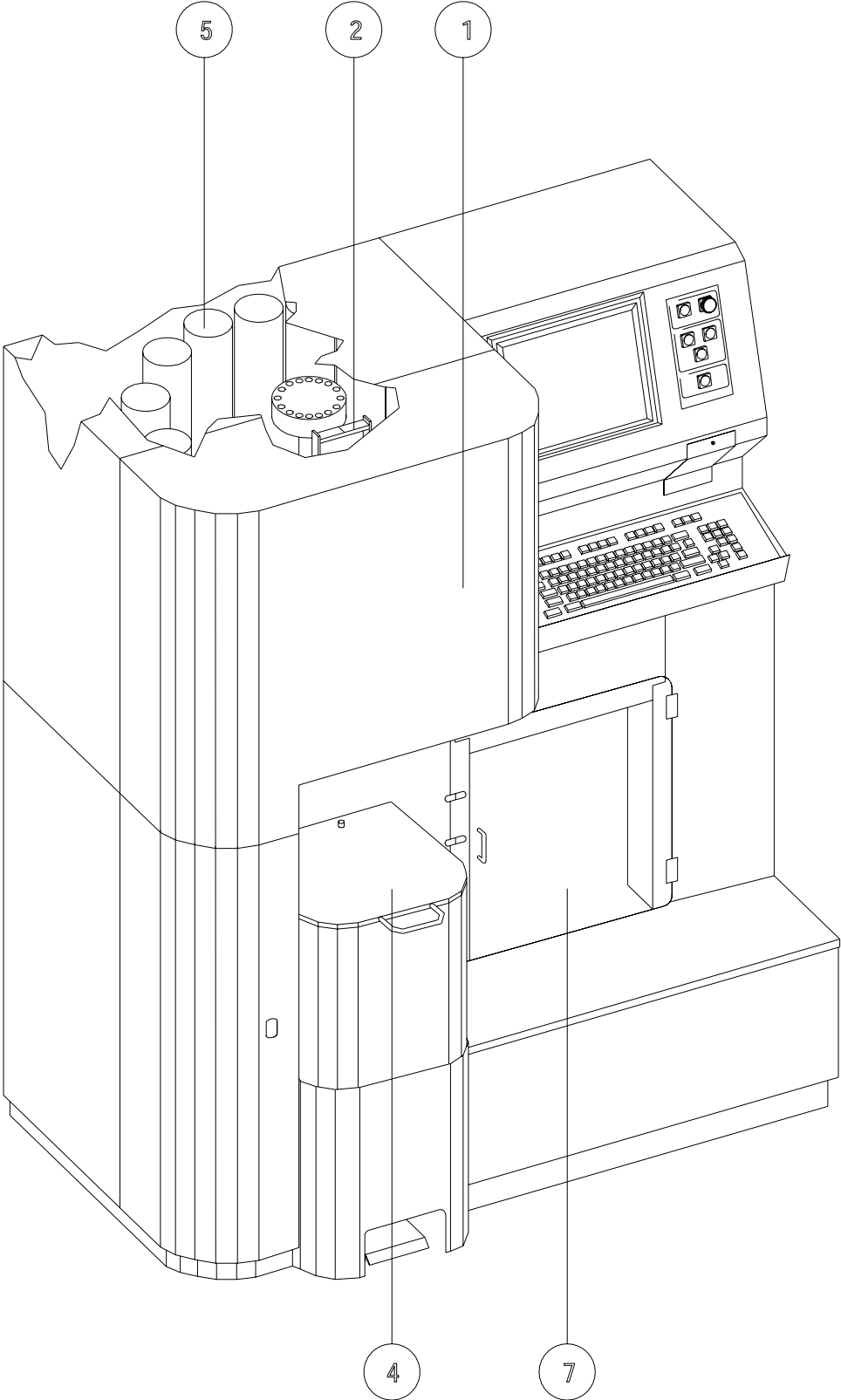




## **TABLE OF CONTENT SPARE PARTS LIST FA80-COMBI**

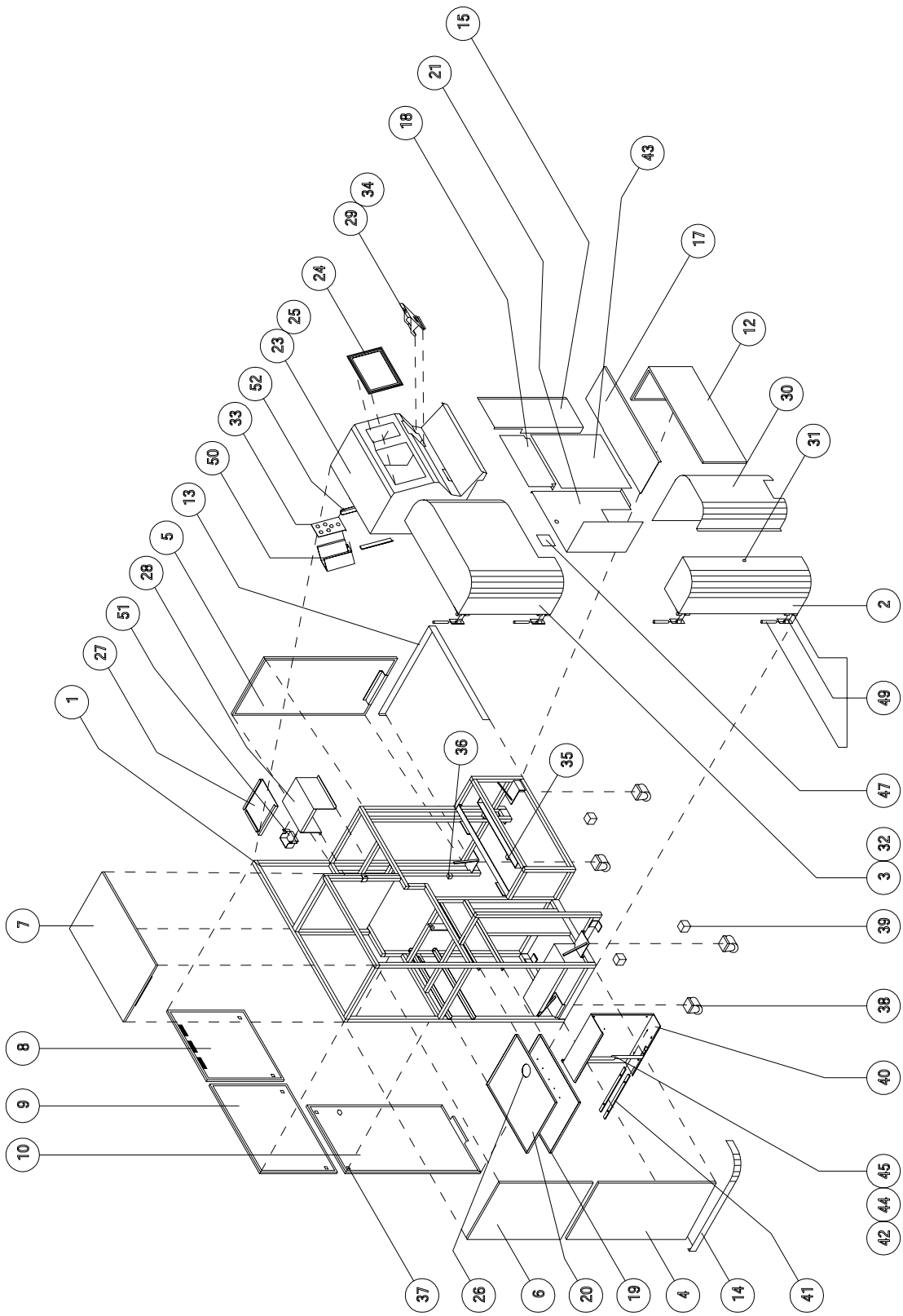
<b>PAGE</b>	<b>DESCRIPTION</b>
2300	COMPOSITION FA-80 COMBI
2310	FRAME ASSY,FA80-COMBI
2311	LEFT PANEL, SST, ASSY
2314	PLEXIGLASS DOOR ASSY,FA80COMBI
2316	CONTROL PANEL,FA80-COMBI
2350	MOV.CANT.ASSY,STD,FA80-COMBI
2360	SUBFRAME ASSY's,FA80-COMBI
2366	TURNT.MOTOR-UNIT ASSY,FA80COMB
2370	ELECTRICAL PARTS,FA80-COMBI
2372	ADAPTOR BOX,FA80-COMBI
2373	POWERUNIT ASSY,FA80-COMBI

2300



**COMPOSITION FA-80 COMBI  
FA80-COMBI**

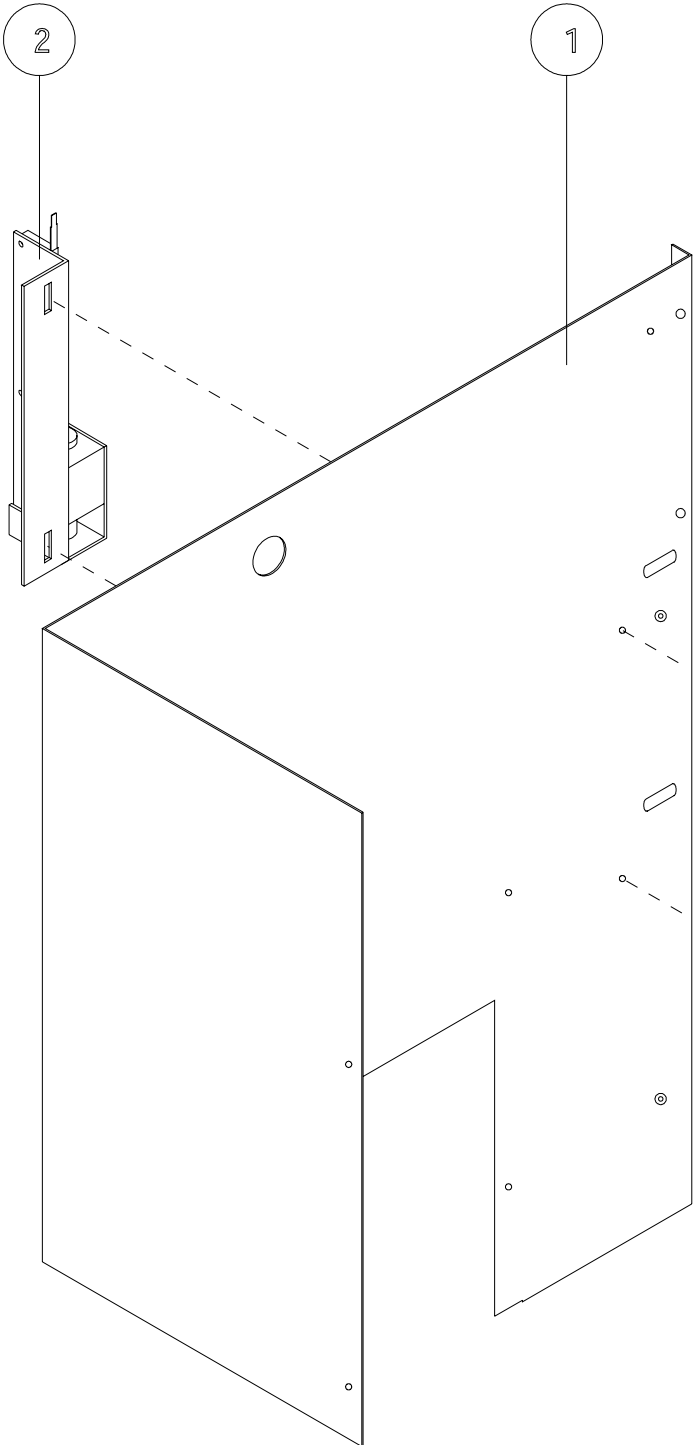
<b>ITEM</b>	<b>PART NO</b>	<b>DESCRIPTION</b>	<b>PAGE</b>
-------------	----------------	--------------------	-------------



**FRAME ASSY,FA80-COMBI  
FA80-COMBI**

<b>ITEM</b>	<b>PART NO</b>	<b>DESCRIPTION</b>	<b>PAGE</b>
37	1110280-SP	Lock,set,catch,l=55,b=20,h=20	
3	2310030-SP	Door,assy,dispenser,FA80-COMBI	
49	2310490-SP	Hinge assy,1032-U1,disp/comp	
43	2310430-SP	Door,plexi.Assy.FA80-Combi	2314
38	1110340-SP	Wheel,swiveling,set 4 pcs	(pos 38 (4x))

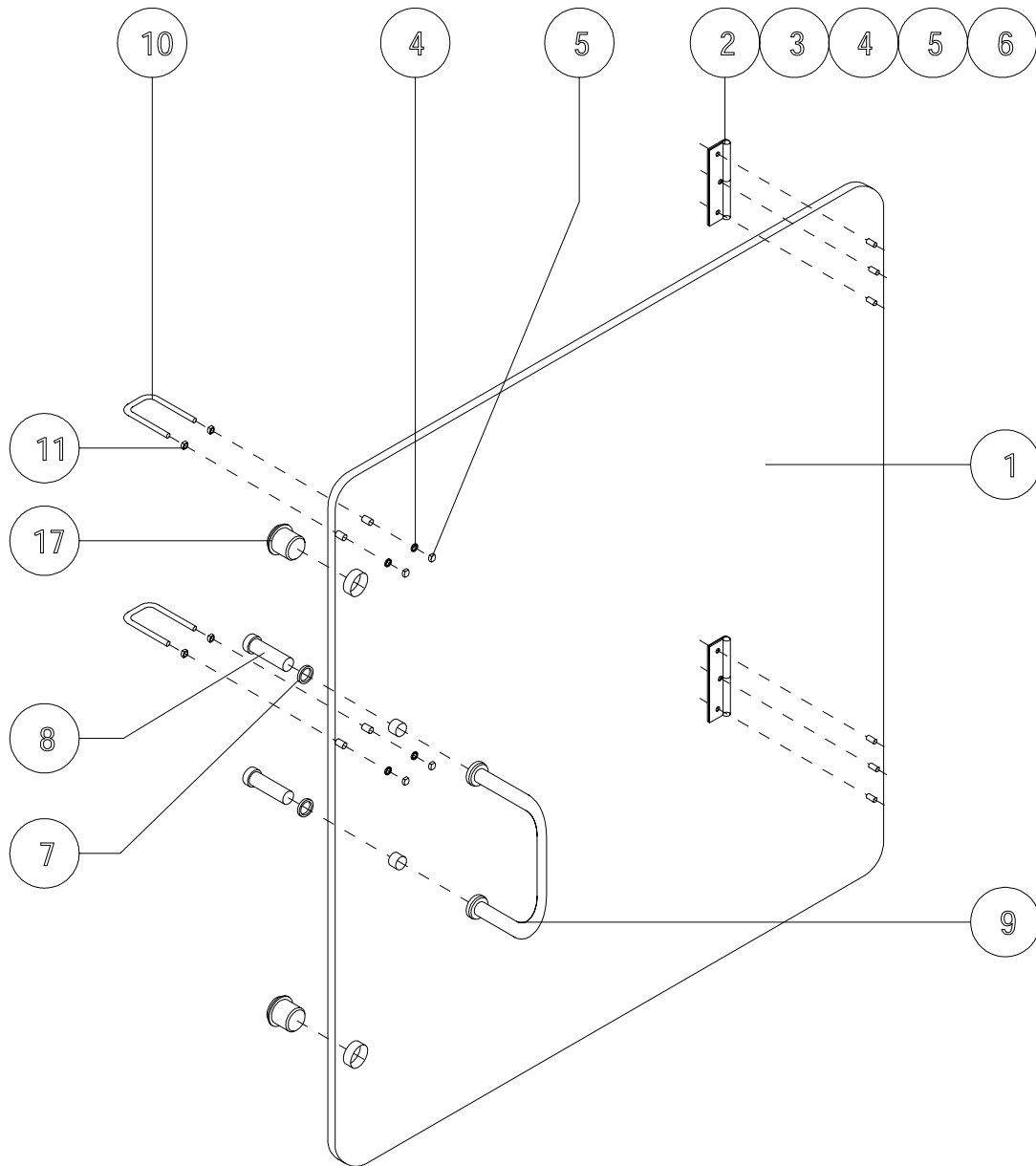
2311



LEFT PANEL, SST, ASSY  
FA80-COMBI

ITEM	PART NO	DESCRIPTION	PAGE
------	---------	-------------	------

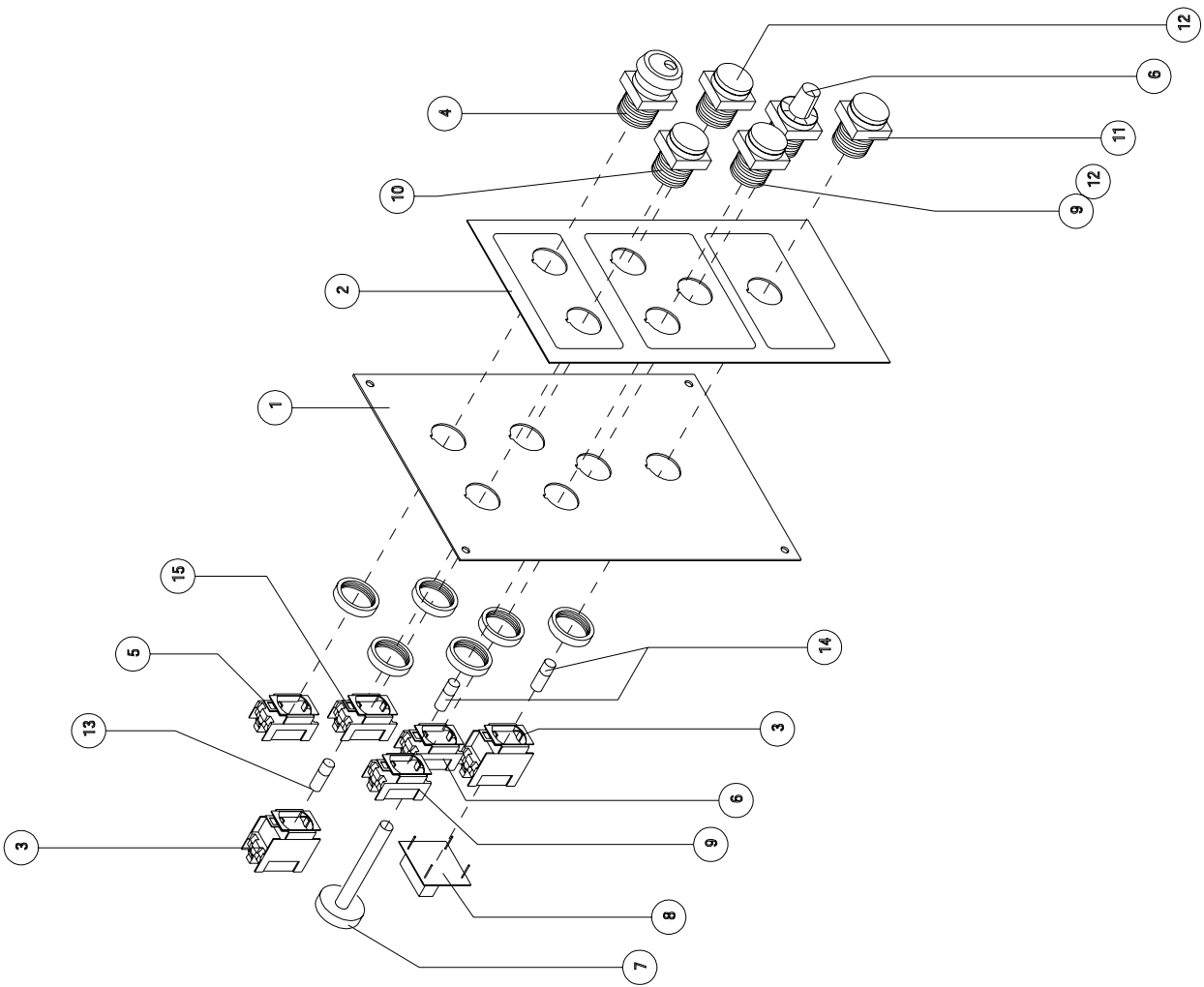
2314



**PLEXIGLASS DOOR ASSY,FA80COMBI  
FA80-COMBI**

<b>ITEM</b>	<b>PART NO</b>	<b>DESCRIPTION</b>	<b>PAGE</b>
17	1602723-SP	Lock,magnet(nr.2732-2 HABO)	
10	1663836-SP	Bracket,door switch	
	2310430-SP	Door,plexi.Assy.FA80-Combi	(pos. 1-11 & 17)
1	2314010-SP	Door,plexi.FA80-Combi	
9	1602794-SP	HANDLE DOOR,SX-40A,SET	(pos 9 (10x))
6	1663753-SP	Plate hinge shakers set 25pcs	
3	1850049-SP	screw M3x12 DIN963 set 100pcs	(pos 3 (100x))
4	1850055-SP	washer M3 DIN127 set 100pcs	(pos 4 (100x))
5	1850057-SP	Nut M3 cap DIN1587 set 100pcs	(pos 5 (100x))
8	1850099-SP	screw M4x16 DIN912 set 100pcs	(pos 8 (100x))
7	1850110-SP	washer M4 DIN125A set 100 pcs	(pos 7 (100x))

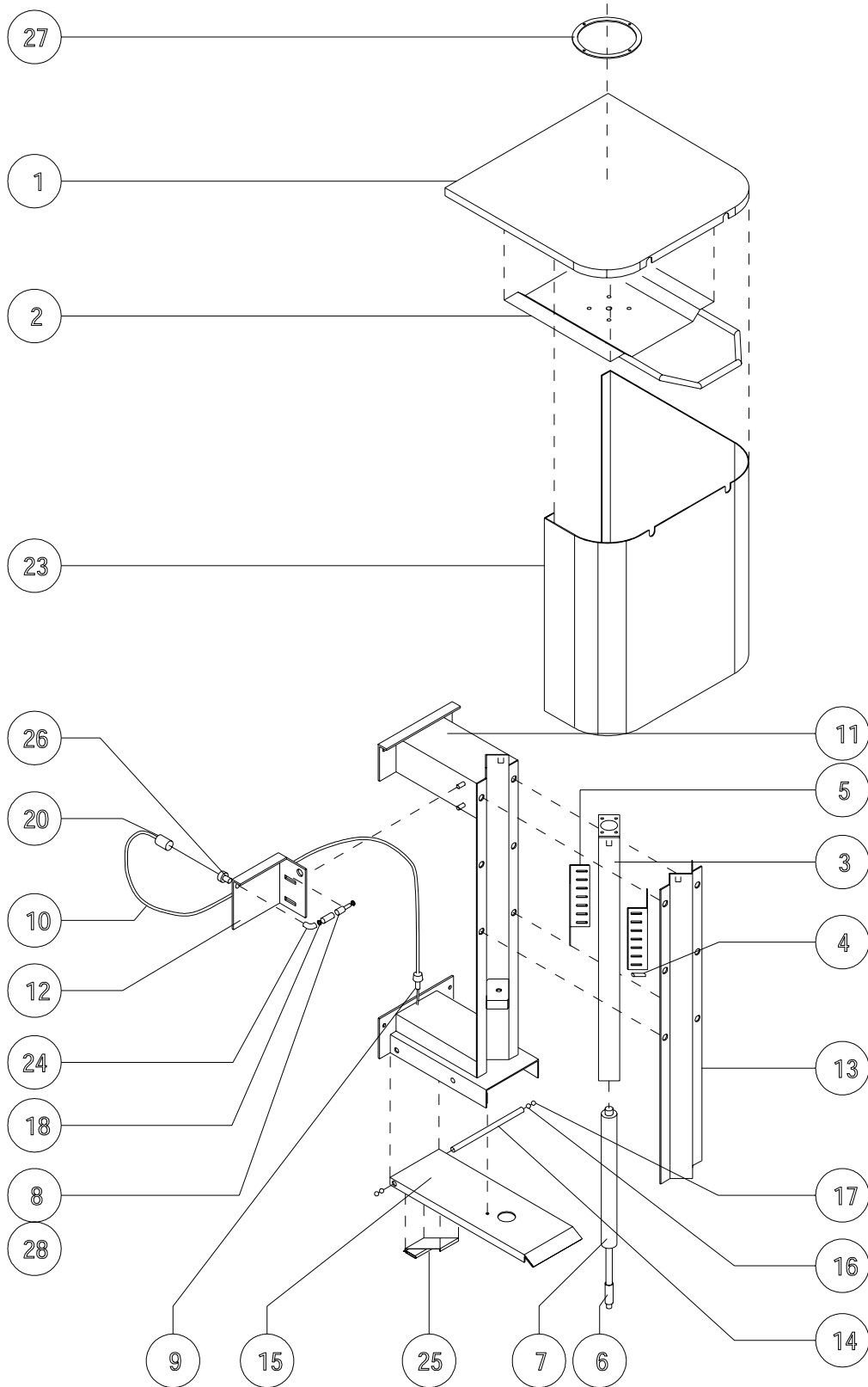
2316



**CONTROL PANEL,FA80-COMBI  
FA80-COMBI**

<b>ITEM</b>	<b>PART NO</b>	<b>DESCRIPTION</b>	<b>PAGE</b>
5	1174020-SP	See Partno.1862403	
4	1602507-SP	Button,locking,D1D1R	
14	1602519-SP	Lamp,signal,BA9S,220V,EBT	
7	1602698-SP	Potentiometer,470 Kohm	
6	1602702-SP	Holder,pot.,assy,w.knob,0-5	
	1602712-SP	Switch,3-way,D1G3S	
9	1610182-SP	Switch,mech,w.lamph,DA11+DFSN	
3	2316030-SP	Contactmechanism DFSN R2	
10	2316100-SP	Button,green,D1Y1G	
12	2316120-SP	Button,yellow,D1Y1Y	
13	2316130-SP	Lamp 240V.2.4W.BA9S.9x23	

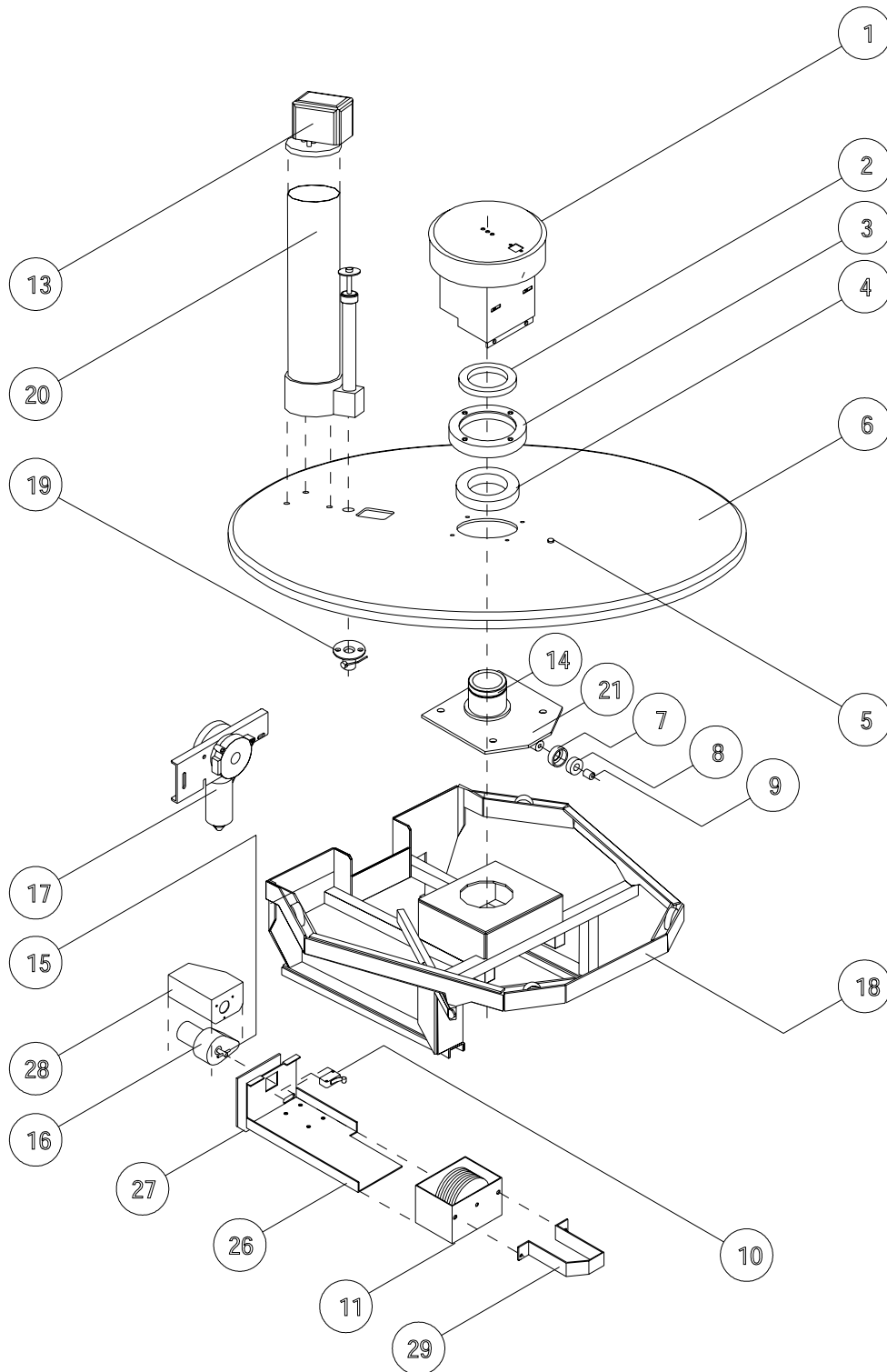
2350



**MOV.CANT.ASSY,STD,FA80-COMBI  
FA80-COMBI**

<b>ITEM</b>	<b>PART NO</b>	<b>DESCRIPTION</b>	<b>PAGE</b>
	1153701-SP	Cable,brake,set,L=600mm,2xbolt	
7	1150071-SP	absorber,shock,oil,375mmstroke	
24	1250240-SP	Tube,f6mm,metal	
28	4120908-SP	Nut,hex,7/16-28,index.pin,25pc	
8	4120925-SP	Pin ,index,housing,assy,comp	
4	1152040-SP	Pin,dowel,nra f3x19,8 set25pcs	(pos 4 (25x))
12	1250120-SP	Bracket,indexing pin (new mdl)	
5	1801626-SP	Plate,support,bearing,HA/BA	
25	1250250-SP	Spring,Pedal,Cantable	(pos 25 (2x))

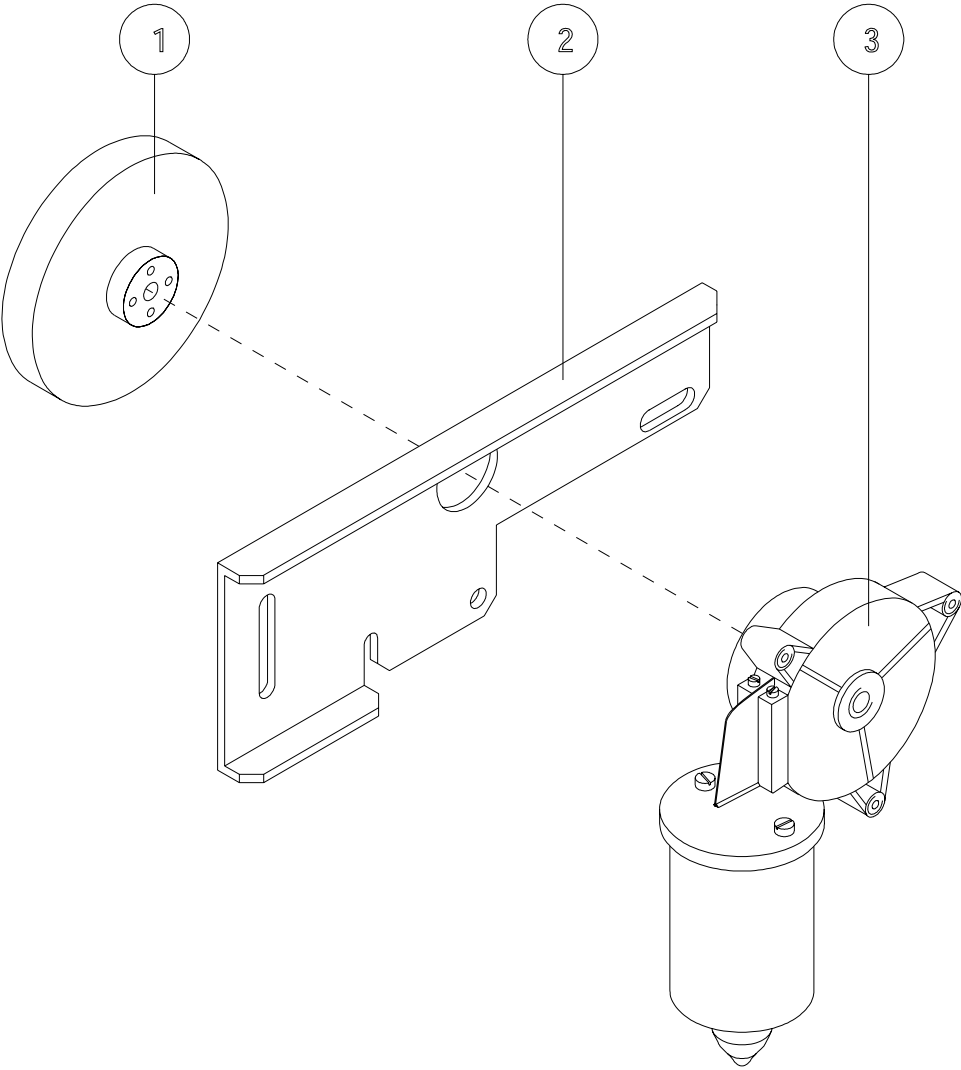
2360



**SUBFRAME ASSY'S,FA80-COMBI  
FA80-COMBI**

<b>ITEM</b>	<b>PART NO</b>	<b>DESCRIPTION</b>	<b>PAGE</b>
	1560257-SP	Nozzle closer,square/th/4.5mm	1565
	1560258-SP	Nozzle closer,square/kal/4.5mm	1565
	1560259-SP	Nozzle closer,square/si/4.5mm	1565
	1560260-SP	Nozzle closer,square/zal/4.5mm	
16	1160040-SP	Motor,brush,12V,27rpm,82869038	
11	1113121-SP	Container,n.cl,w/brush 1113027	1568
8	1120230-SP	bearing,ball,6001 ZZ	
13	1160153-SP	Cover, assy,80oz,3434,40cmcord	1164
	1160154-SP	zie part nr 1160155-SP	1164
10	1160200-SP	switch,micro	
1	1560011-SP	cover,connector,complete,14C	1563
	1560012-SP	cover,connector,complete,16C	1563
	1862421-SP	Wheel,traversing,excentr.35mm	
20	1560261-SP	Canister,assy,FA80,4.5mm,US,th	1561
	1560262-SP	Canister,assy,FA80,4,5mm,MT,th	1561
	1560263-SP	Canister,assy,FA80.6MM.US,th	1561
	1560300-SP	plate&shaft,central,assy,FA80	(pos. 14 & 21)
	1560321-SP	canister,assy,FA80,4.5mm,US,si	1561
	1560322-SP	canister,assy,FA80,4.5mm,MT,si	1561
	1560323-SP	Canister,assy,FA80,6mm,US,si	1561
	1560350-SP	housing,central bearing,assy	(pos. 3 & 4)
	1560360-SP	turntable,12C,with bearing	(pos. 3,4 & 6)
	1560362-SP	turntable,16C, with bearing	(pos. 3,4 & 6)
17	2360170-SP	Motor-unit assy.turnt.combi	2366
	2360210-SP	Holder w.motor.nozz cl.system	(pos 15,16,26,27,29)
	4000064-SP	Screw,THCS#8-32x3/8,slot,100pc	(pos ? (100x))
	4223110X-SP	Piston,teflon,1-oz.US.set100pc	(pos ? (100x))
6	1560062-SP	Turntable,16c,27 (T)	
7	1560080-SP	delrin wheel	
15	4231005-SP	Pin,rod,1/8ZI-1/8 set 25pcs	(pos 15 (25x))

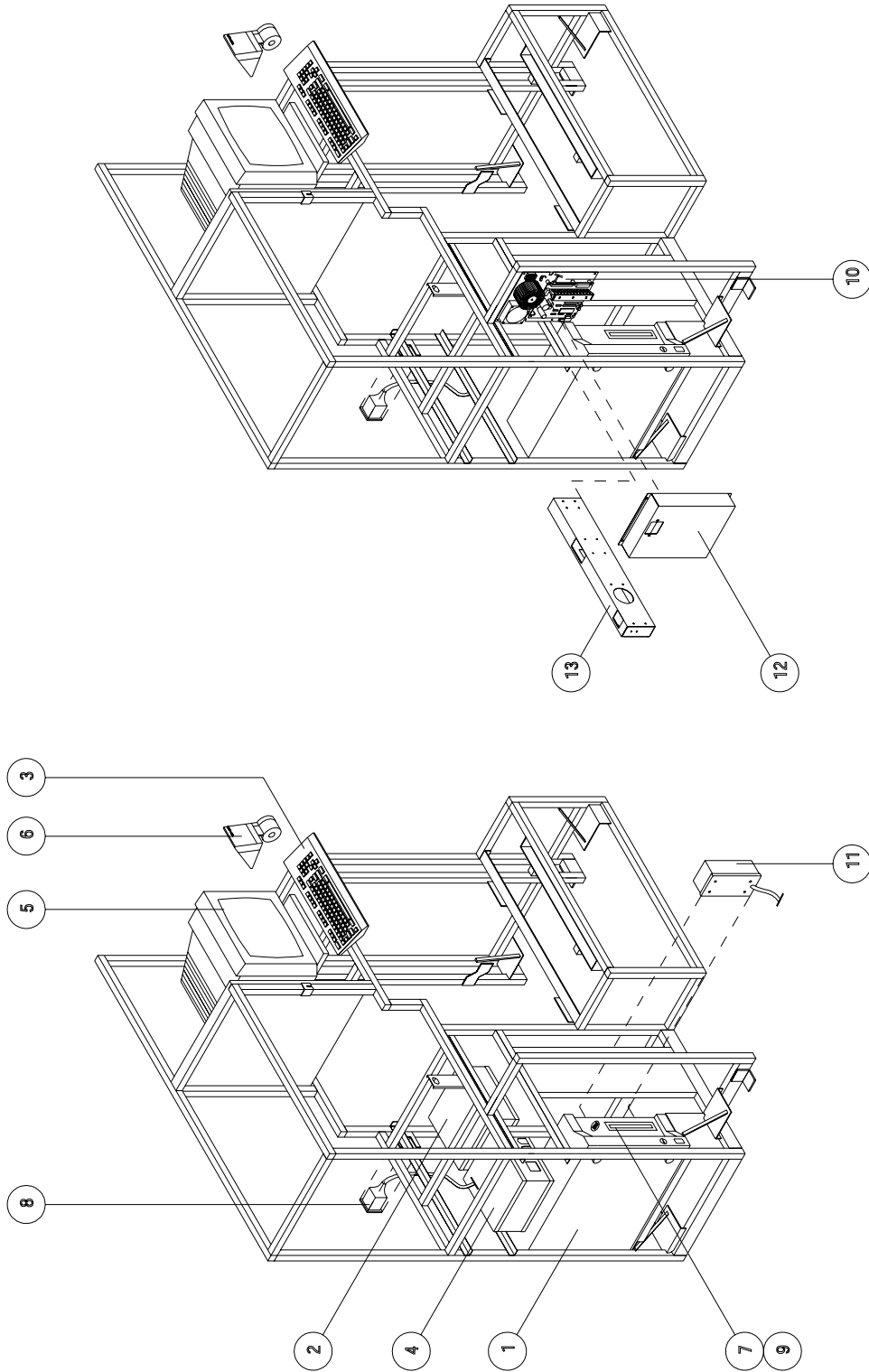
2366



**TURNT.MOTOR-UNIT ASSY,FA80COMB  
FA80-COMBI**

<b>ITEM</b>	<b>PART NO</b>	<b>DESCRIPTION</b>	<b>PAGE</b>
1	1166008-SP	wheel,friction,black,FA80	
3	1566030-SP	motor,turntable(FA80)	
	2360170-SP	Motor-unit assy.turnt.combi	(pos. 1,2 & 3)

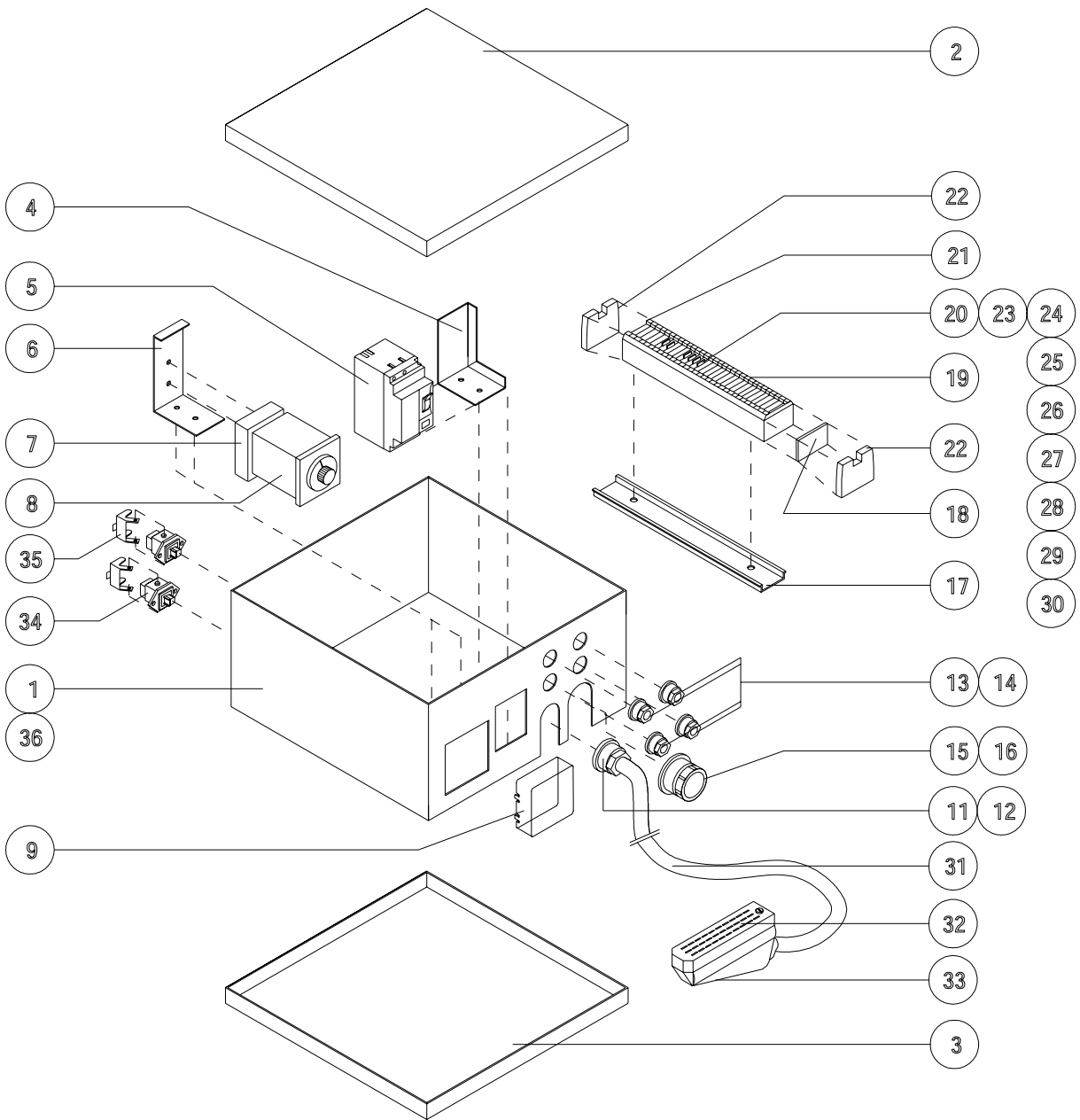
2370



**ELECTRICAL PARTS,FA80-COMBI  
FA80-COMBI**

<b>ITEM</b>	<b>PART NO</b>	<b>DESCRIPTION</b>	<b>PAGE</b>
	1170021-SP	powerunit T1(230V,cable 1,8m)	1172
	1170022-SP	Powerunit,T1(230V,cable 2.8m)	1172
8	1170090-SP	Net-entry,machine,connect.fuse	
9	1170181-SP	plate,mount,PPIboard,FA	
	1170182-SP	Board,PPI 93	
	1862187-SP	Tool.extractor.processor.HA/BT	
5	1170122-SP	Monitor 14"/15"	
6	1170134-SP	Printer,label,EZ30,DOS (Seiko)	

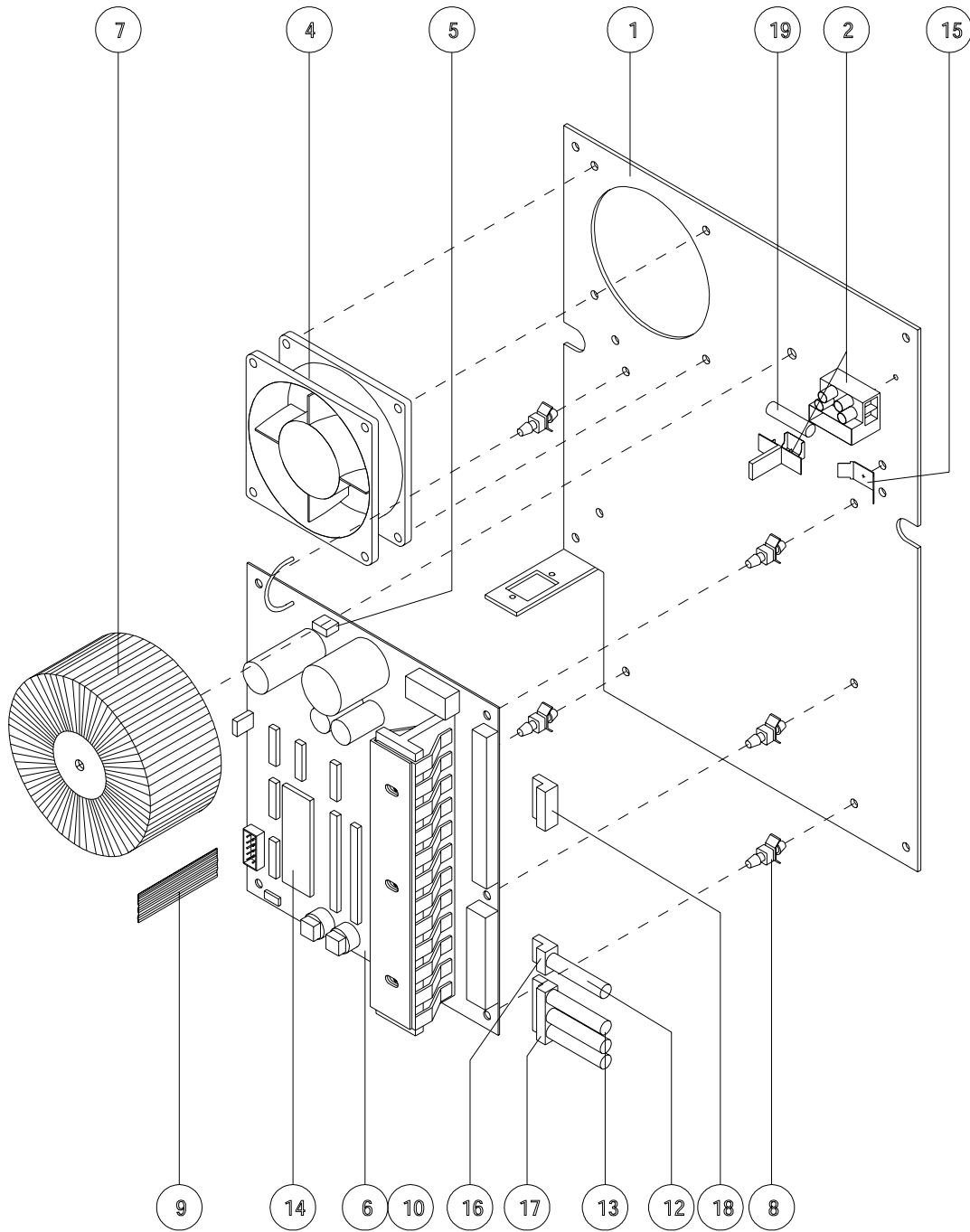
2372



**ADAPTOR BOX,FA80-COMBI  
FA80-COMBI**

<b>ITEM</b>	<b>PART NO</b>	<b>DESCRIPTION</b>	<b>PAGE</b>
33	1173080-SP	Housing,conn,30p L30F22(male)	
	1170260-SP	timer,elec.set,(Omron),H3CP-F (pos. 7-9)	
18	1665100-SP	Plate,side,terminal block	
34	1163010-SP	Conn.Hirschmann.Female.w.clamp	
5	1572210-SP	Switch Earthleak	

2373



**POWERUNIT ASSY,FA80-COMBI  
FA80-COMBI**

<b>ITEM</b>	<b>PART NO</b>	<b>DESCRIPTION</b>	<b>PAGE</b>
9	1272231-SP	Cable,computer,5m,D9,male-fem.	
	1172160-SP	Fuse,2 Amp,set,10pcs	(pos. 19 (10x))
4	1172060-SP	Ventilator	
5	1172090-SP	conn-3-pins,ventilator/jumper	
6	1172112-SP	print,ser.powerunit,w/o proc.	
7	1172182-SP	Transformer,220V(RKT120.12.2)	
	1272117-SP	PCB,P.U.,ser.,h-spd,w.FARA_V29	(pos. 6,10 & 14)
2	1860259-SP	Holder,fuse,503S	
	1862187-SP	Tool.extractor.processor.HA/BT	
10	1602636-SP	Capacitor 0,5hF,33ohm RC-unit	