

FA192 Small

No image available

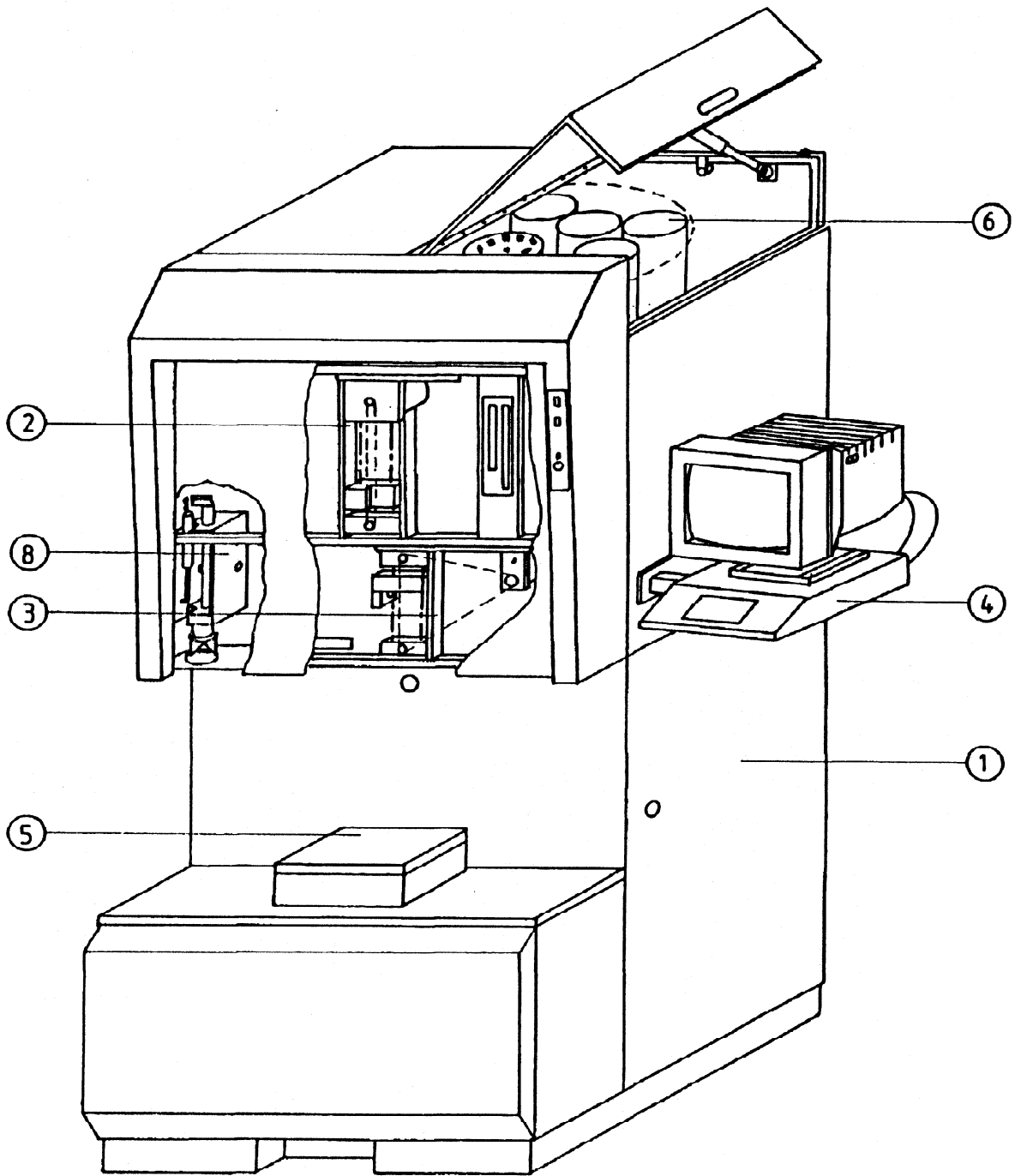
-

Fluid Management Europe B.V.

TABLE OF CONTENT SPARE PARTS LIST FA192 SMALL

PAGE	DESCRIPTION
1200	COMPOSITION FA-S DISPENSER
1210	FRAME ASSY,FA-s
1211	EARTH./TIMER/COUNTER BRACKET
1212	WINGDOOR ASSY,FA-S
1214	PLEXIGLASS FRONTDOOR, FA-S
1250	MOV.CANTABLE STAND.ASSY TYPE 3
1270	ELECTRICAL PARTS,FA-S
1272	POWERUNITS,FA-S

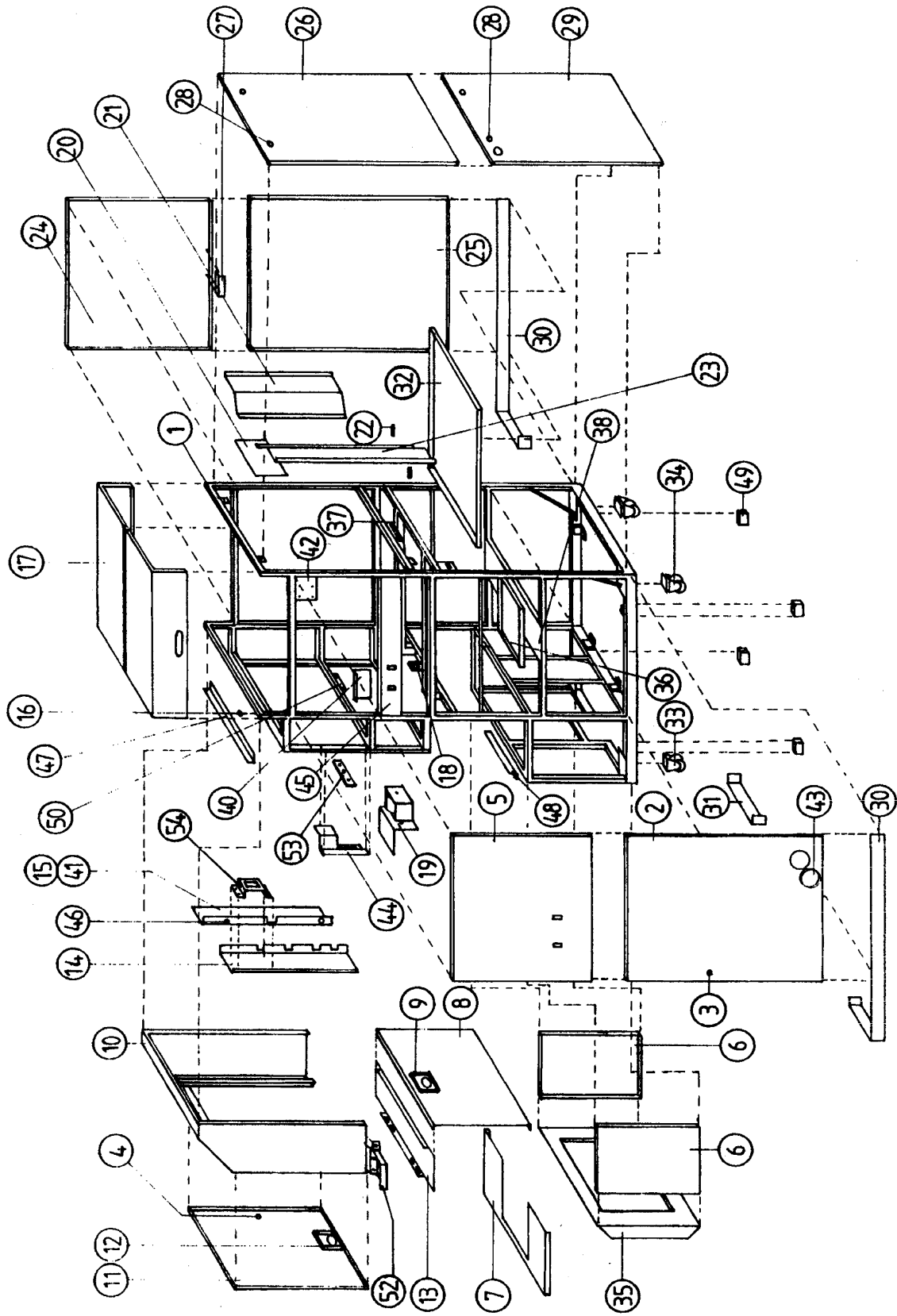
1200



**COMPOSITION FA-S DISPENSER
FA192 SMALL**

ITEM	PART NO	DESCRIPTION	PAGE
4	1100042-SP	table,assy,mon-keyb,large	1142
	1142161-SP	bracket,mon-keyb,compl,univers	1142
	1200053-SP	Table,can,mov,stan-assy,(type3	1250
2	1100021-SP	Actuator,pump,1.25Nm,stepperm	

1210



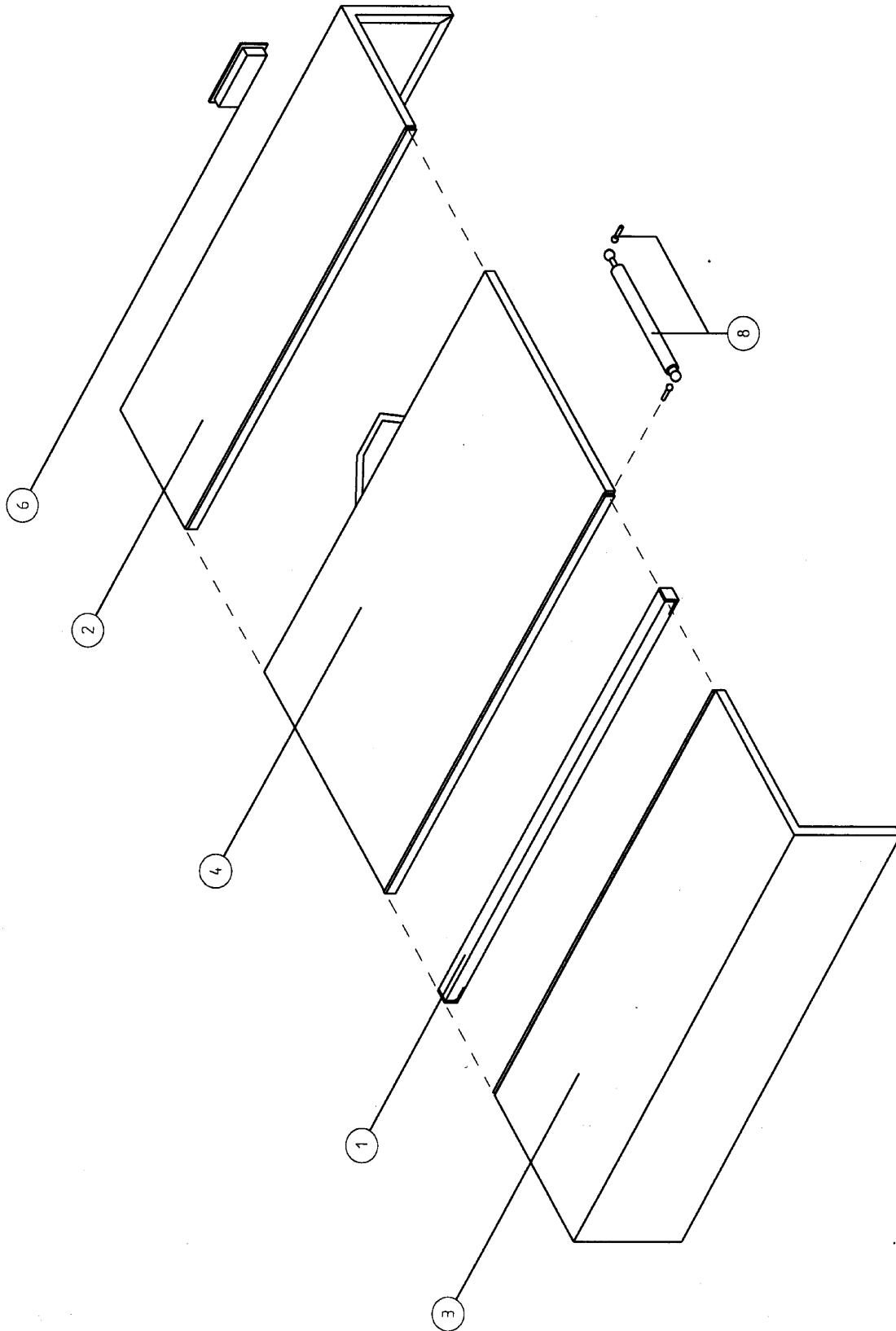
**FRAME ASSY,FA-S
FA192 SMALL**

ITEM	PART NO	DESCRIPTION	PAGE
19	1110190-SP	Container,n.cl,w/frontplate	1113
28	1110280-SP	Lock,set,catch,l=55,b=20,h=20	
	1210081-SP	plate,front,w/hole,ss	
	4223110X-SP	Piston,teflon,1-oz.US.set100pc	(pos ? (100x))
19	1110193-SP	Container,n.cl,w/frontp,ind	(see page 1113)
34	1110340-SP	Wheel,swiveling,set 4 pcs	(pos 34 (4x))
43	1110430-SP	Cap,white,f70mm,10pcs.	(pos 43 (10x))

**EARTHLE./TIMER/COUNTER BRACKET
FA192 SMALL**

ITEM	PART NO	DESCRIPTION	PAGE
2	1170260-SP	timer,elec.set,(Omron),H3CP-F	(pos. 4,5 & 11)
	1572210-SP	Switch Earthleak	

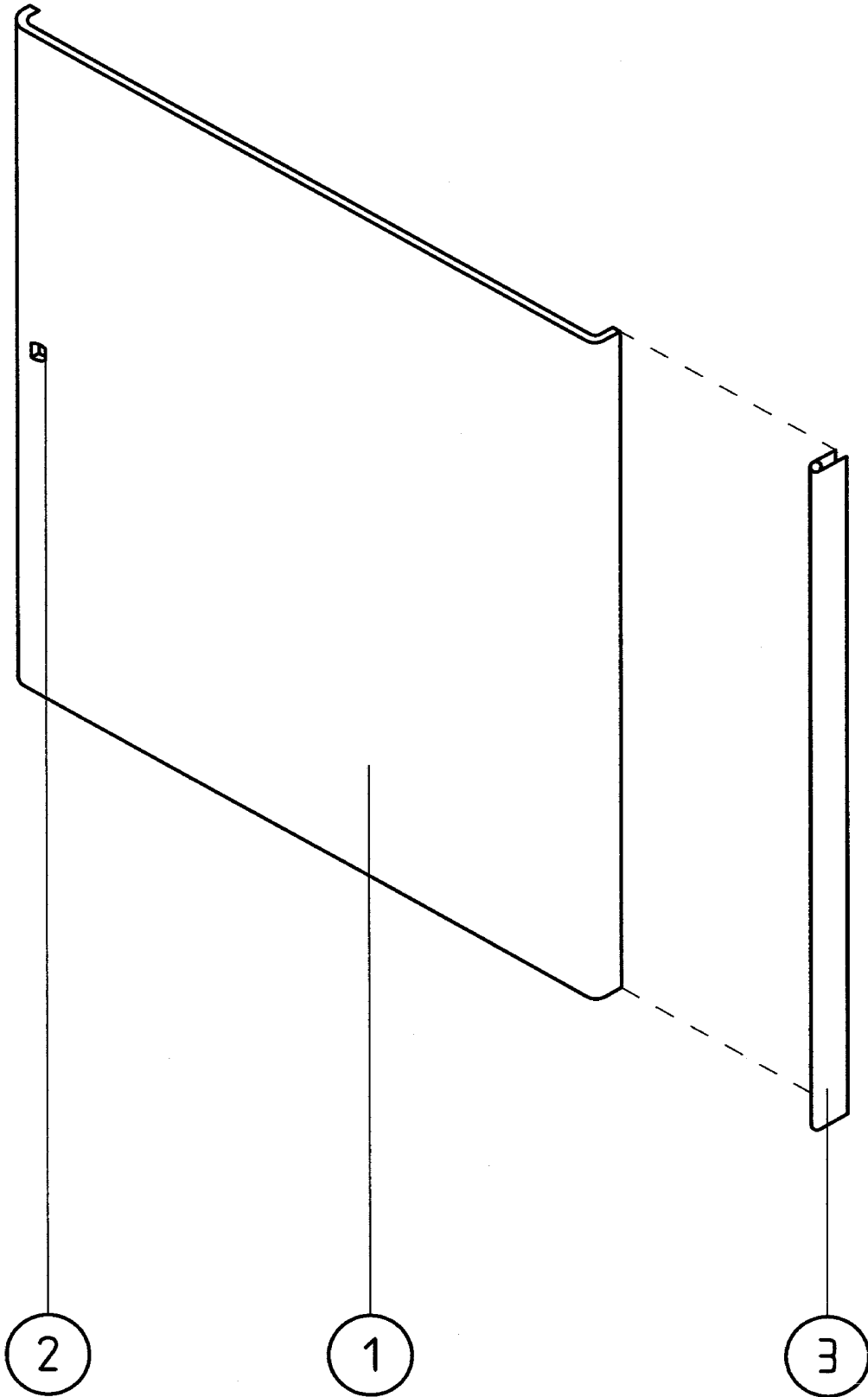
1212



**WINGDOOR ASSY,FA-S
FA192 SMALL**

ITEM	PART NO	DESCRIPTION	PAGE
8	1112080-SP	Absorber,shock,gas,Set,150N	

1214

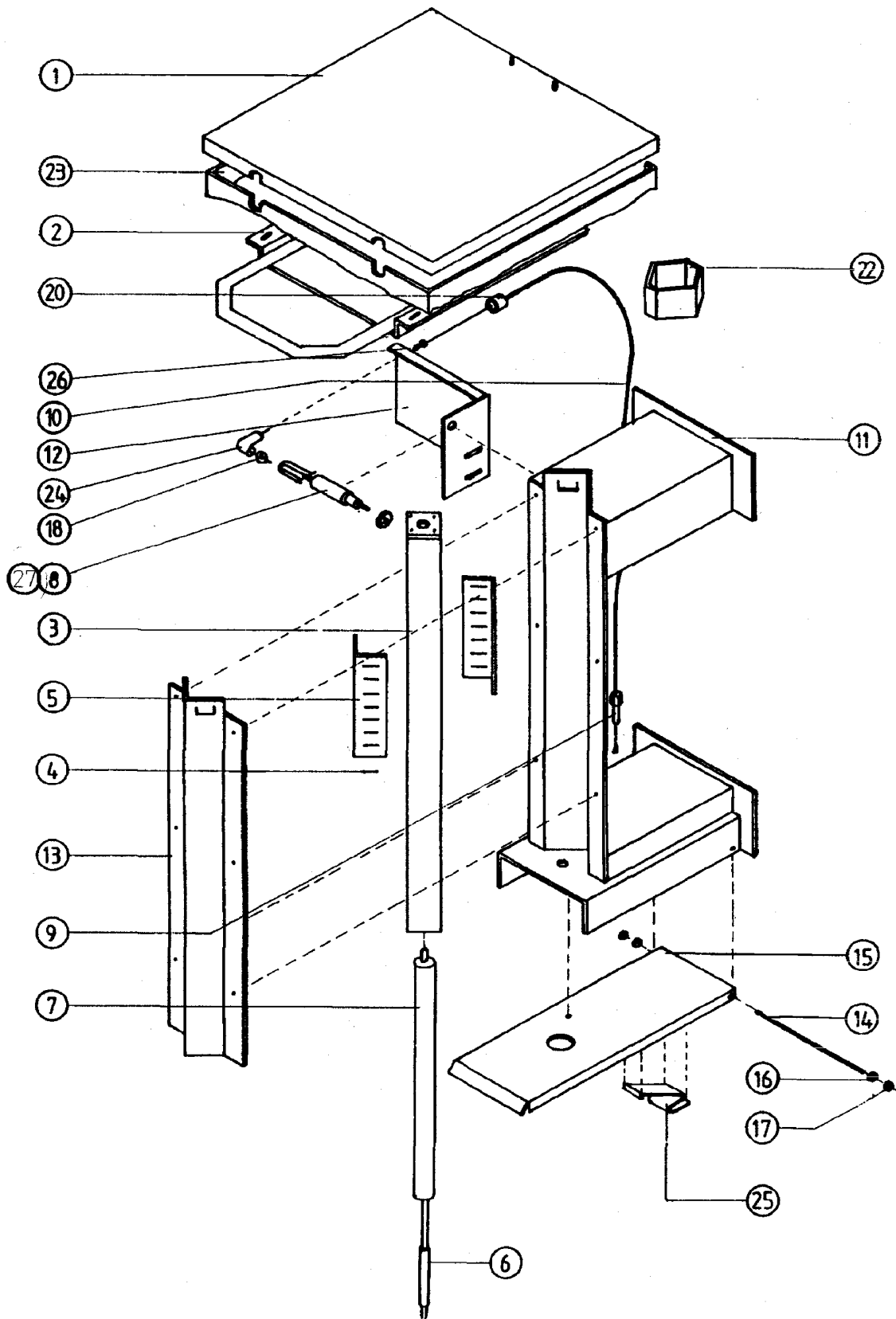


PLEXIGLASS FRONTDOOR, FA-S
FA192 SMALL

ITEM PART NO DESCRIPTION

PAGE

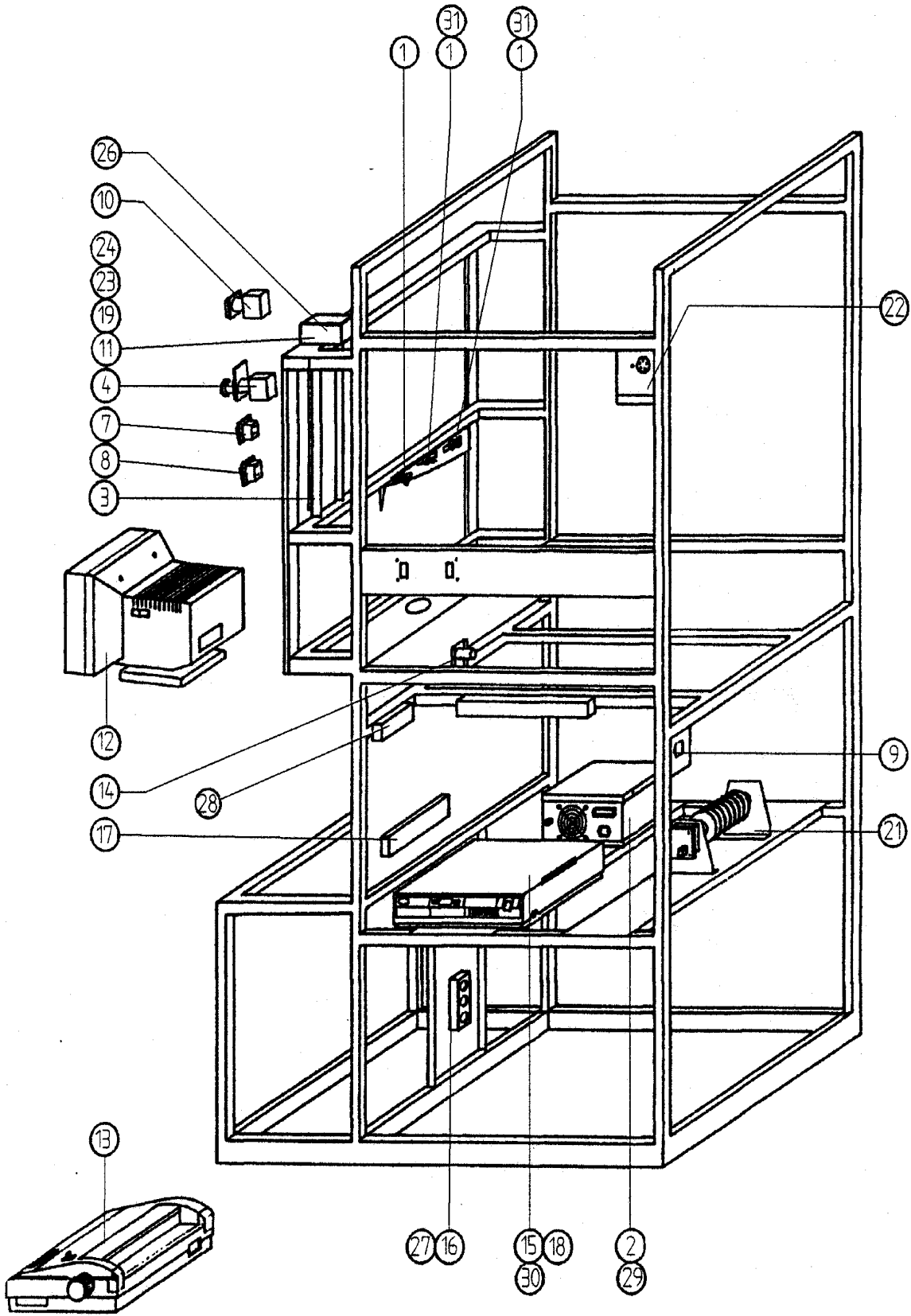
1250



**MOV.CANTABLE STAND.ASSY TYPE 3
FA192 SMALL**

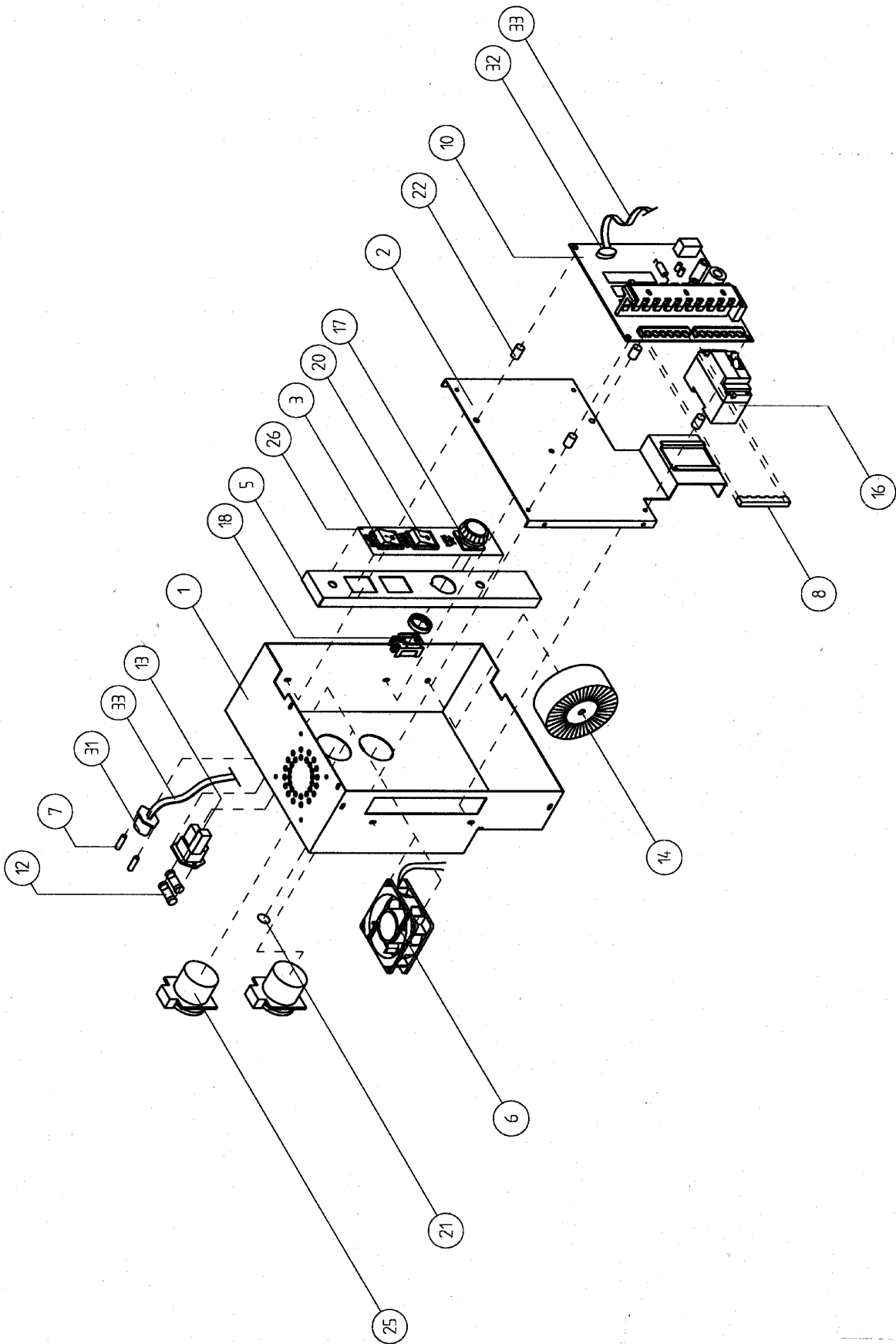
ITEM	PART NO	DESCRIPTION	PAGE
7	1153701-SP 1150071-SP	Cable,brake,set,L=600mm,2xbolt absorber,shock,oil,375mmstroke	
24	1250240-SP	Tube,f6mm,metal	
27	4120908-SP	Nut,hex,7/16-28,index.pin,25pc	
8	4120925-SP	Pin ,index,housing,assy,comp	
4	1152040-SP	Pin,dowel,nra f3x19,8 set25pcs	(pos 4 (25x))
12	1250120-SP	Bracket,indexing pin (new mdl)	
5	1801626-SP	Plate,support,bearing,HA/BA	
25	1250250-SP	Spring,Pedal,Cantable	(pos 25 (2x))

1270



**ELECTRICAL PARTS,FA-S
FA192 SMALL**

ITEM	PART NO	DESCRIPTION	PAGE
29	1170290-SP	Cable,data,3Mtr(10 cores)	
1	1170010-SP	Switch,proximity,f12mm	1175
	1170022-SP	Powerunit,T1(230V,cable 2.8m)	1172
	1170024-SP	Powerunit,ser,FA192,intermed.	1172
4	1170040-SP	Switch,emergency stop, assy	1174
7	1170073-SP	Switch on/off, green 16A	1174
8	1170080-SP	switch,on/off,orange	1174
9	1170090-SP	Net-entry,machine,connect.fuse	
14	1170142-SP	Switch,proximity,f18mm,Cansen.	1175
18	1170182-SP	Board,PPI 93	
	1170211-SP	heating,element,assy.FA192	
	1170251-SP	timer,mech,assy,50Hz(legrande)	(pos. 11,19,23 & 24)
26	1170260-SP	timer,elec.set,(Omron),H3CP-F	
	1270022-SP	Powerunit,ser,FA-S/L,fr mnt	1272
	1862187-SP	Tool.extractor.processor.HA/BT	
3	1170031-SP	Strip,terminal,1.85m	
12	1170122-SP	Monitor 14"/15"	
13	1170134-SP	Printer,label,EZ30,DOS (Seiko)	



**POWERUNITS,FA-S
FA192 SMALL**

ITEM	PART NO	DESCRIPTION	PAGE
	1172060-SP	Ventilator	(pos. 6)
	1272117-SP	PCB,P.U.,ser.,h-spd,w.FARA_V29	(pos. 10)
	1172160-SP	Fuse,2 Amp,set,10pcs	(pos. 12(10x))
3	1170073-SP	Switch on/off, green 16A	
20	1170080-SP	switch,on/off,orange	
13	1170090-SP	Net-entry,machine,connect.fuse	
10	1172112-SP	print,ser.powerunit,w/o proc.	
14	1172182-SP	Transformer,220V(RKT120.12.2)	
17	1174010-SP	See partno. 1862235-SP	
18	1174020-SP	See Partno.1862403	
	1170024-SP	Powerunit,ser,FA192,intermed.	
	1862187-SP	Tool.extractor.processor.HA/BT	
23	1163010-SP	Conn.Hirschmann.Female.w.clamp	
14	1172183-SP	Transformer,110V(RKT.120.12.2A	
16	1572210-SP	Switch Earthleak	