



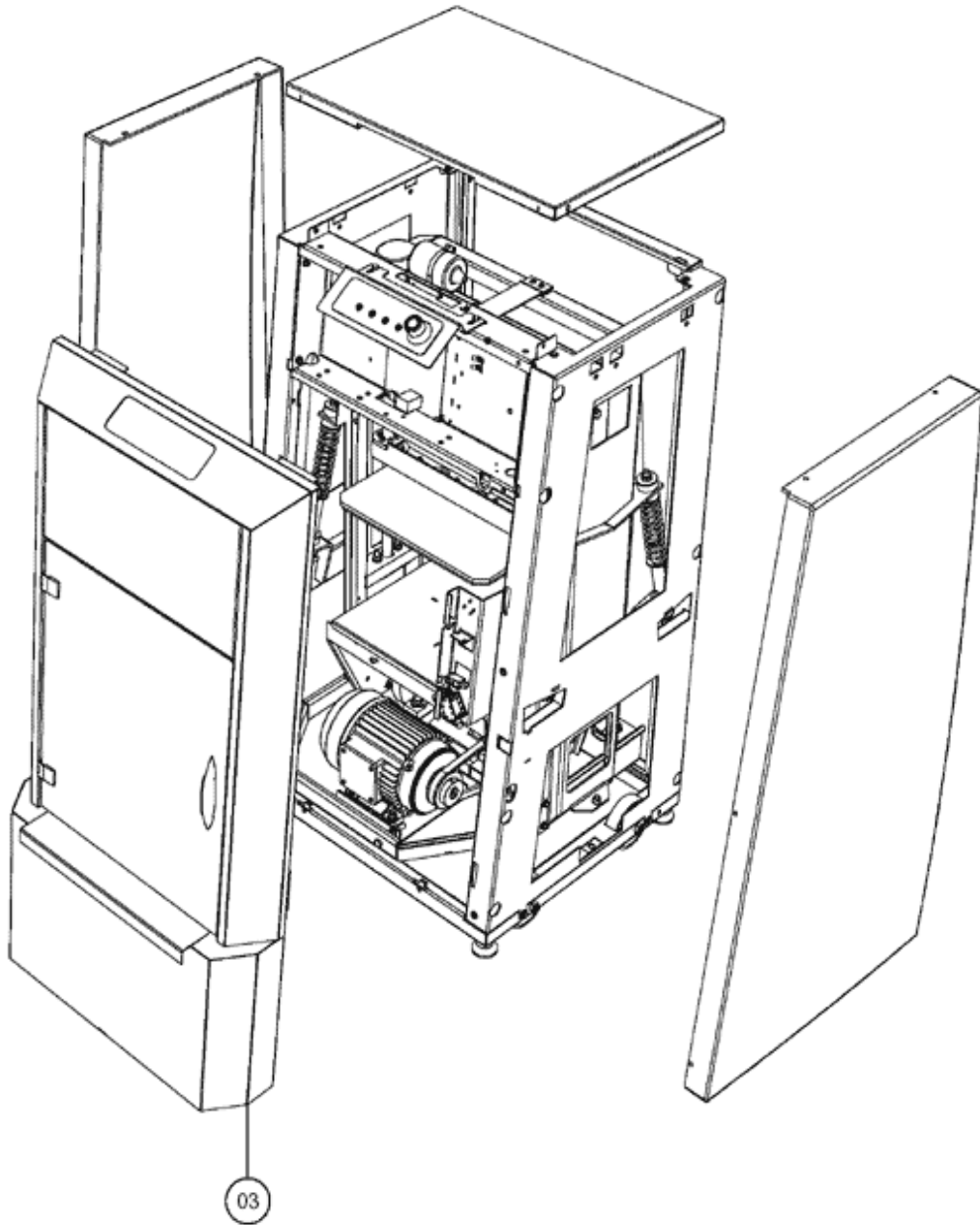
# Skandex Shaker So300

## Sparepartsbook

© Fast & Fluid Management, 2005

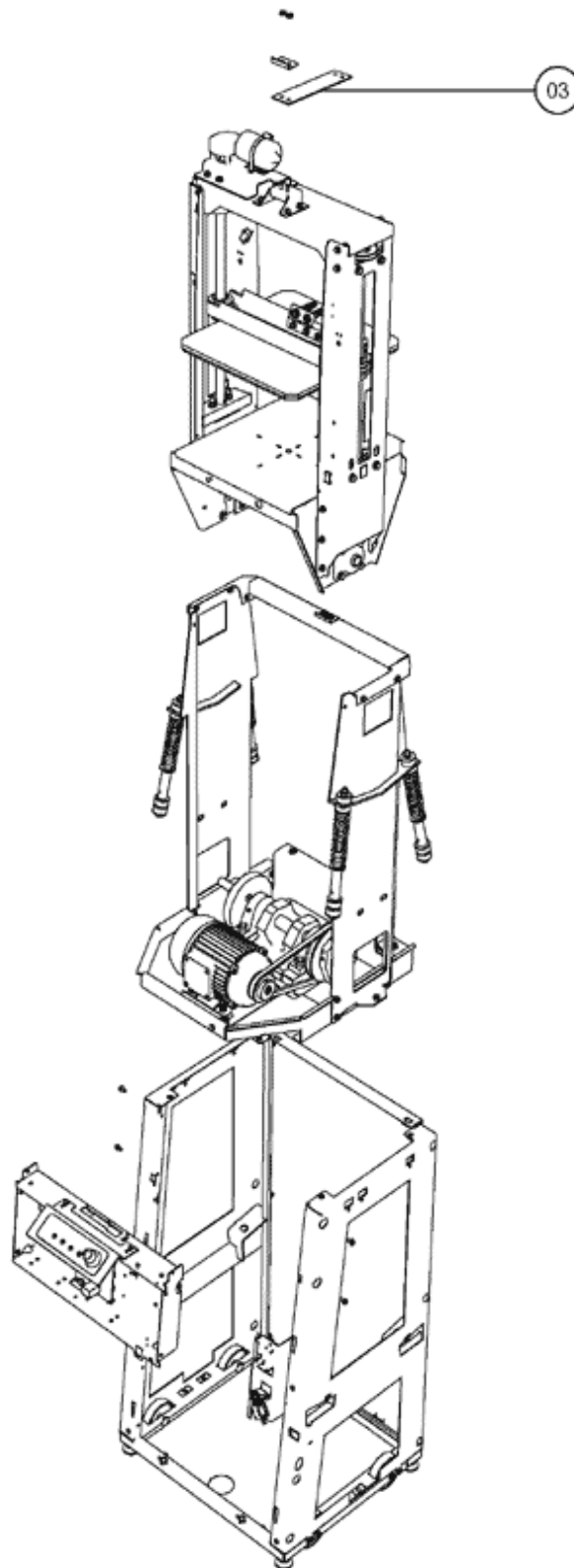
# So300 Sparepartsbook

## Page 5400 - Composition,assy



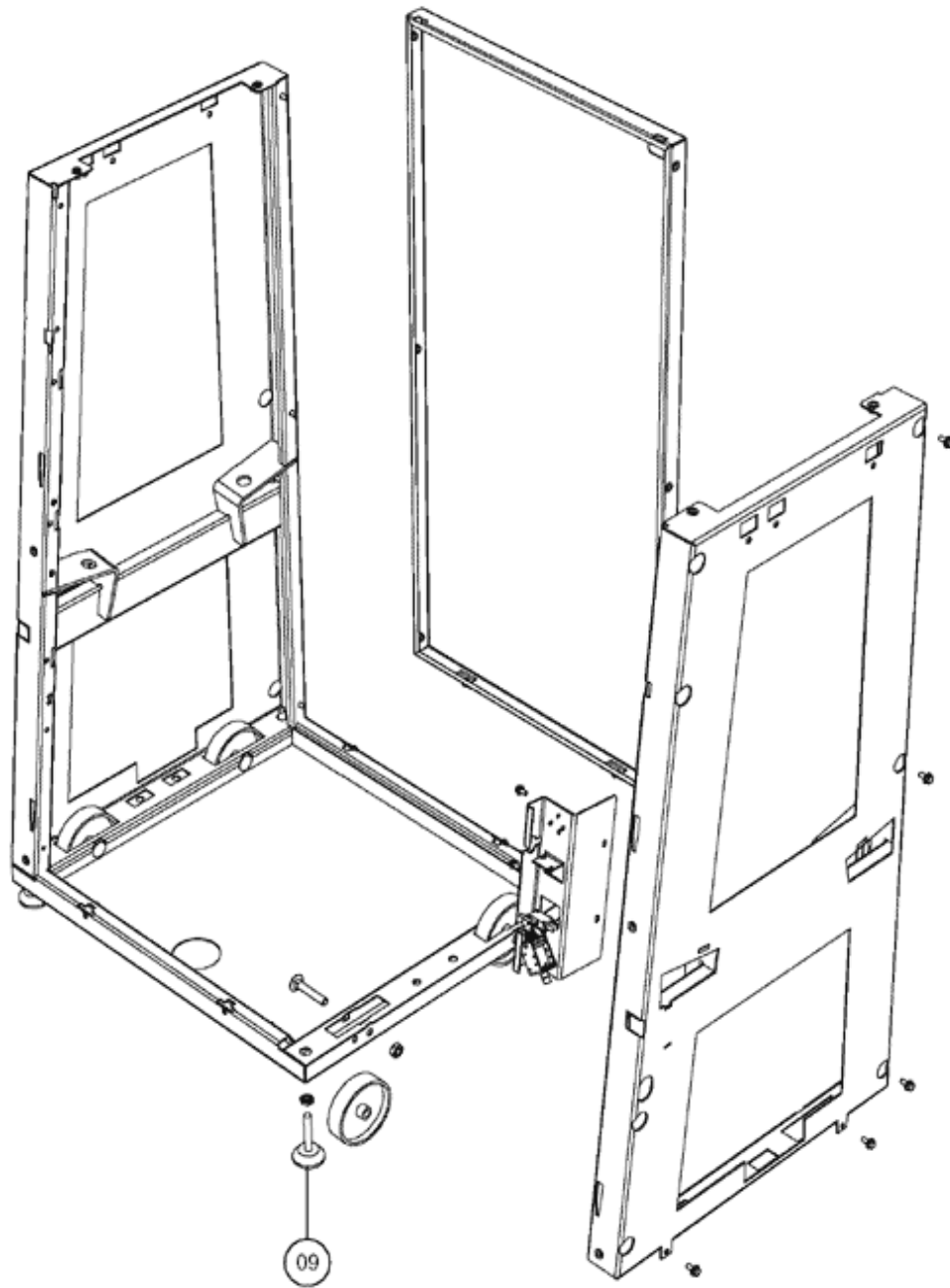
<i>ITEM</i>	<i>PART NUMBER</i>	<i>DESCRIPTION</i>	<i>REMARKS</i>	<i>QTY</i>
03	1812507-SP	Front,complete,SO300		1

Page 5405 - Frames,assy



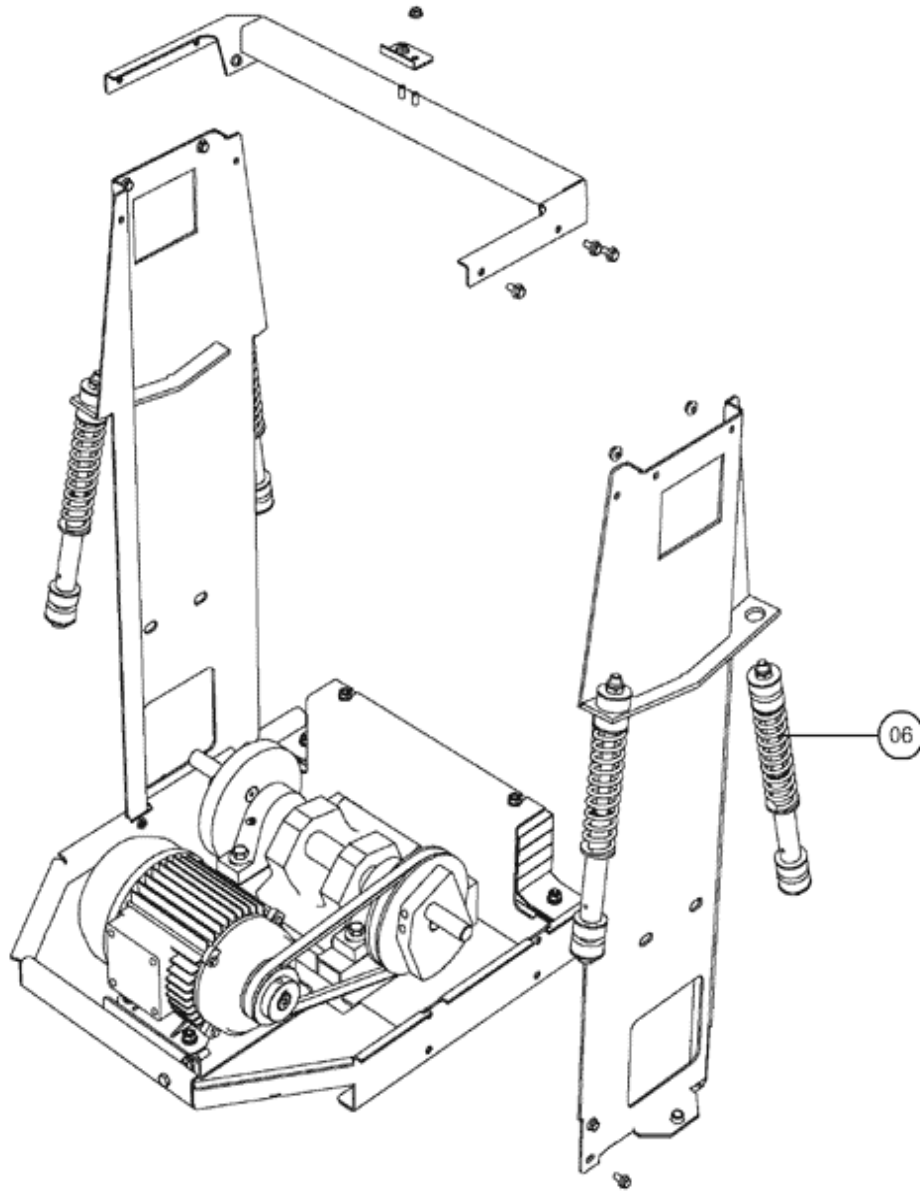
<i>ITEM</i>	<i>PART NUMBER</i>	<i>DESCRIPTION</i>	<i>REMARKS</i>	<i>QTY</i>
03	<a href="#">1810488-SP</a>	Leafspring,set,So20/300/400		1

**Page 5410 - Outer,frame,assy**



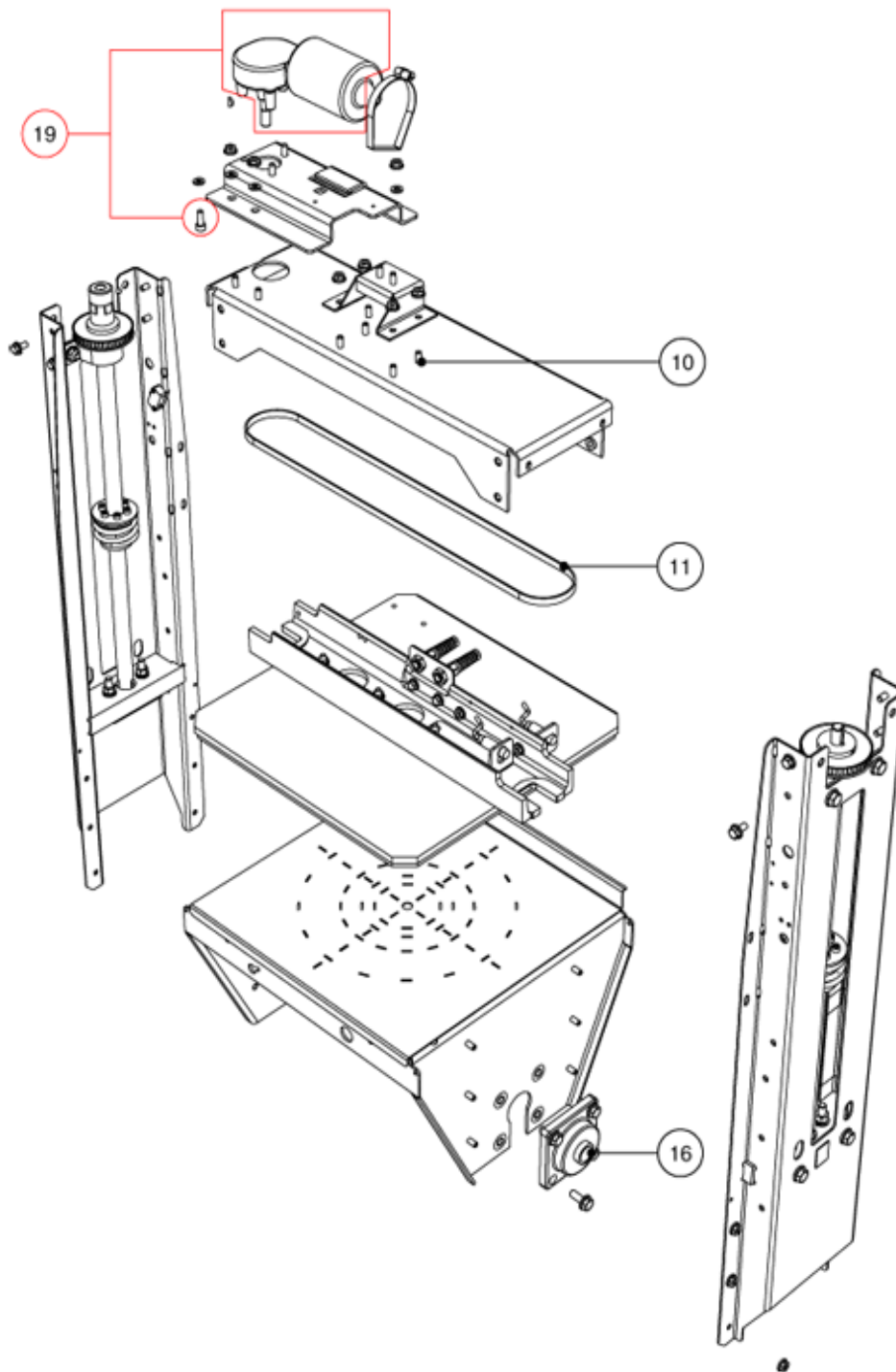
<i>ITEM</i>	<i>PART NUMBER</i>	<i>DESCRIPTION</i>	<i>REMARKS</i>	<i>QTY</i>
09	<a href="#">1862594-SP</a>	foot,plastic,M10x60,dia45xh13		4

**Page 5415 - Motor,frame,assy**



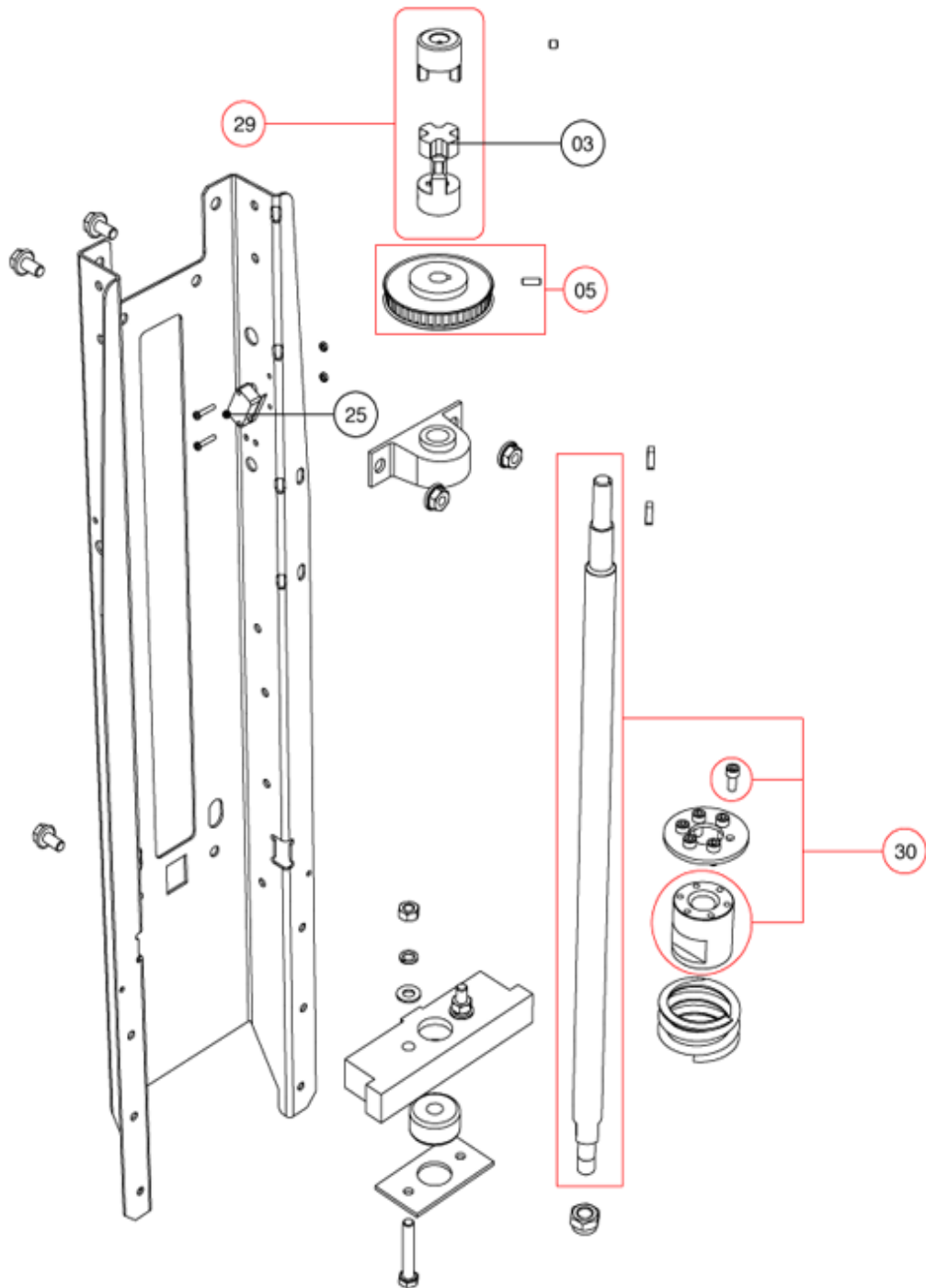
<i>ITEM</i>	<i>PART NUMBER</i>	<i>DESCRIPTION</i>	<i>REMARKS</i>	<i>QTY</i>
06	<a href="#">1807667-SP</a>	Super-strut-assy,So-40,4pcs		4

## Page 5420 - Clamp,frame,assy



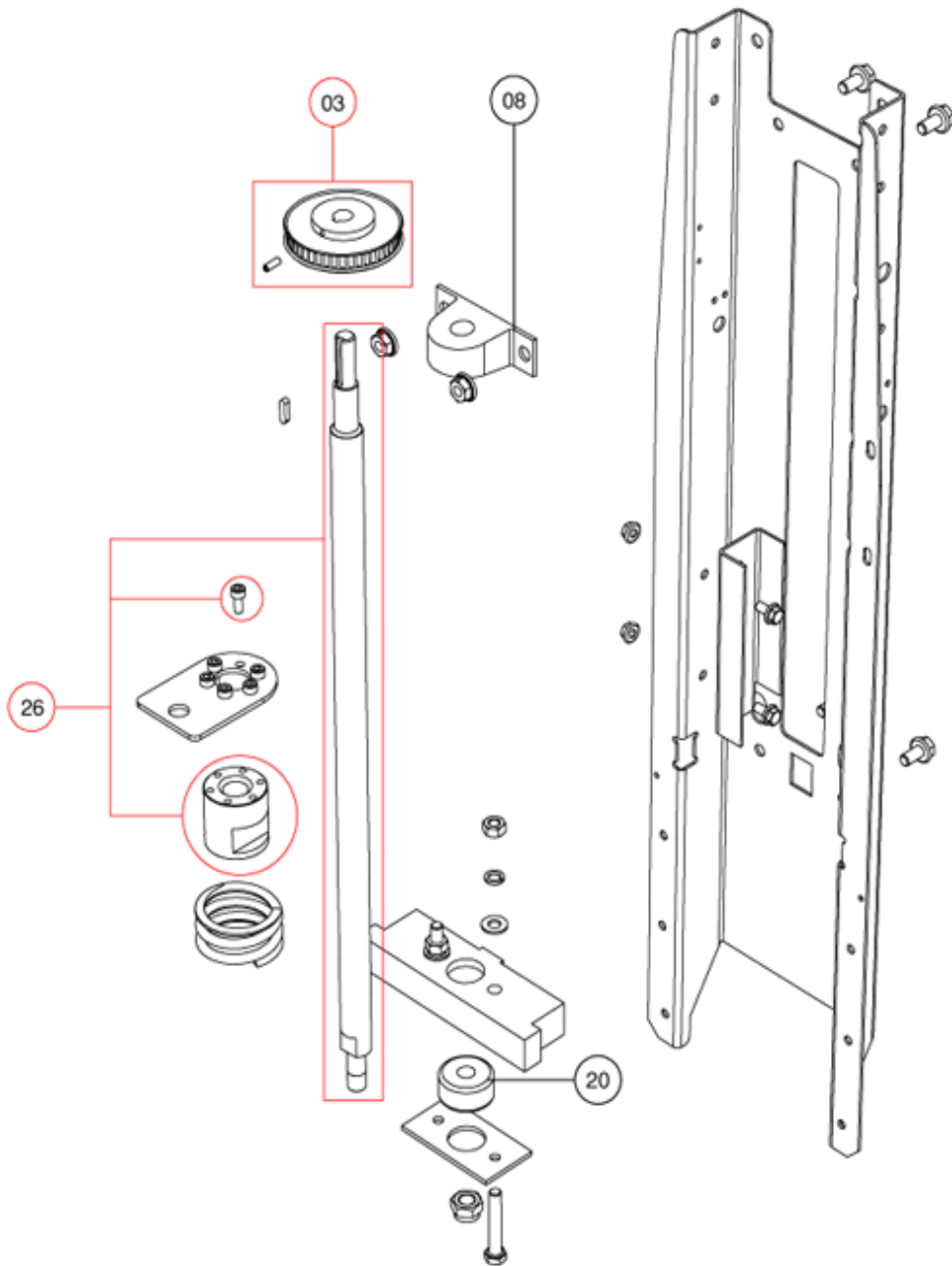
<i>ITEM</i>	<i>PART NUMBER</i>	<i>DESCRIPTION</i>	<i>REMARKS</i>	<i>QTY</i>
10	1810315-SP	Plate, motor, clampSO3/400		1
11	<a href="#">1862173-SP</a>	V-belt, clamp, so400		1
14	<a href="#">1809667-SP</a>	Plate, RVS, clamp, frame, SO3/400		1
16	<a href="#">1602121-SP</a>	BEARING, UCF 204 D1		1
19	<a href="#">1863357-SP</a>	Clamping motor, SO300		1

Page 5421 - Left,column,clampframe



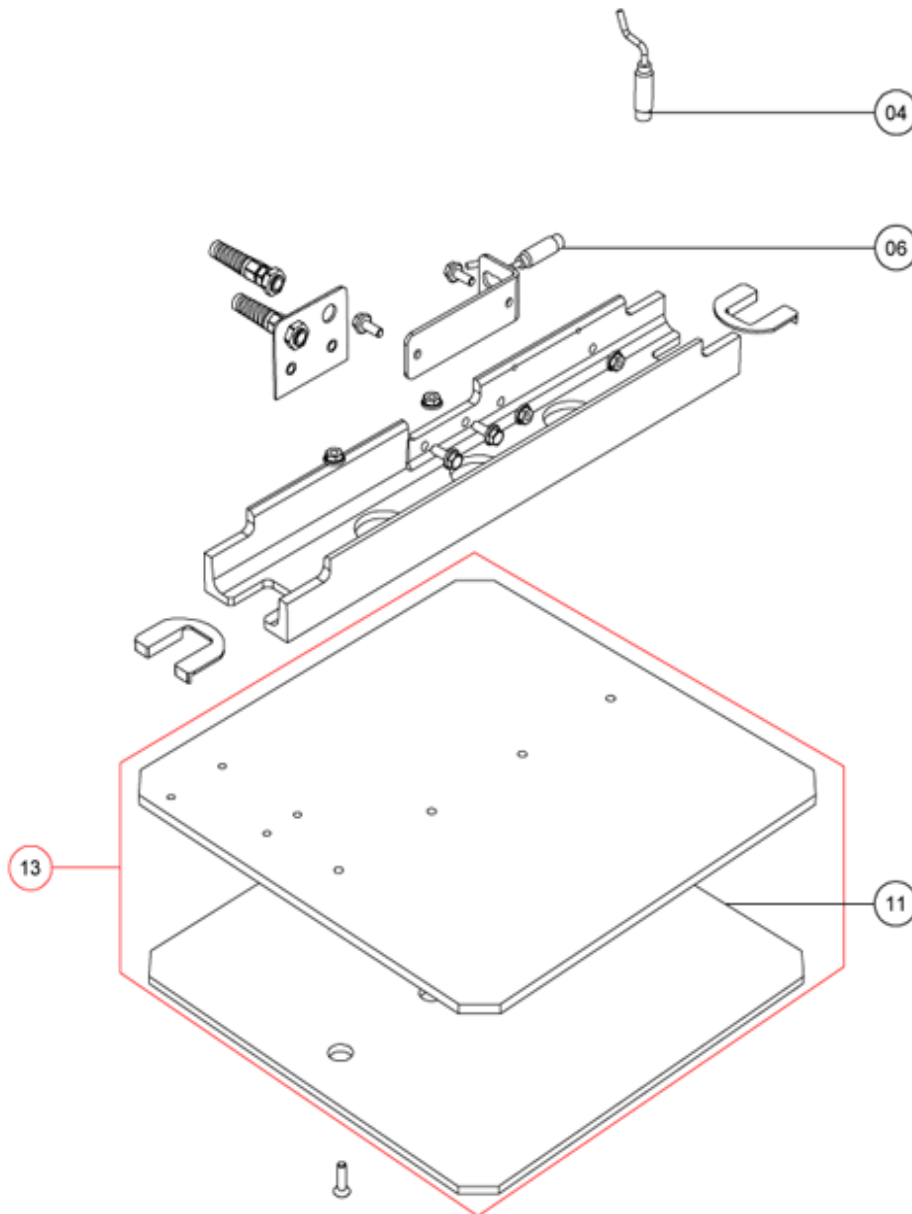
<i>ITEM</i>	<i>PART NUMBER</i>	<i>DESCRIPTION</i>	<i>REMARKS</i>	<i>QTY</i>
03	<a href="#">1861158-SP</a>	Coupling,SO40a/300/400,5pcs		5
05	<a href="#">1809678-SP</a>	Pulley,spindle,clamp,S0300/400		1
26	<a href="#">1863466-SP</a>	Switch,micro,hinge,lever,S0300		1
29	<a href="#">1863470-SP</a>	Couplings with buffer,S0300		1
30	<a href="#">1863607-SP</a>	Spindle+nut,S0300		1

Page 5422 - Right,column,clampframe



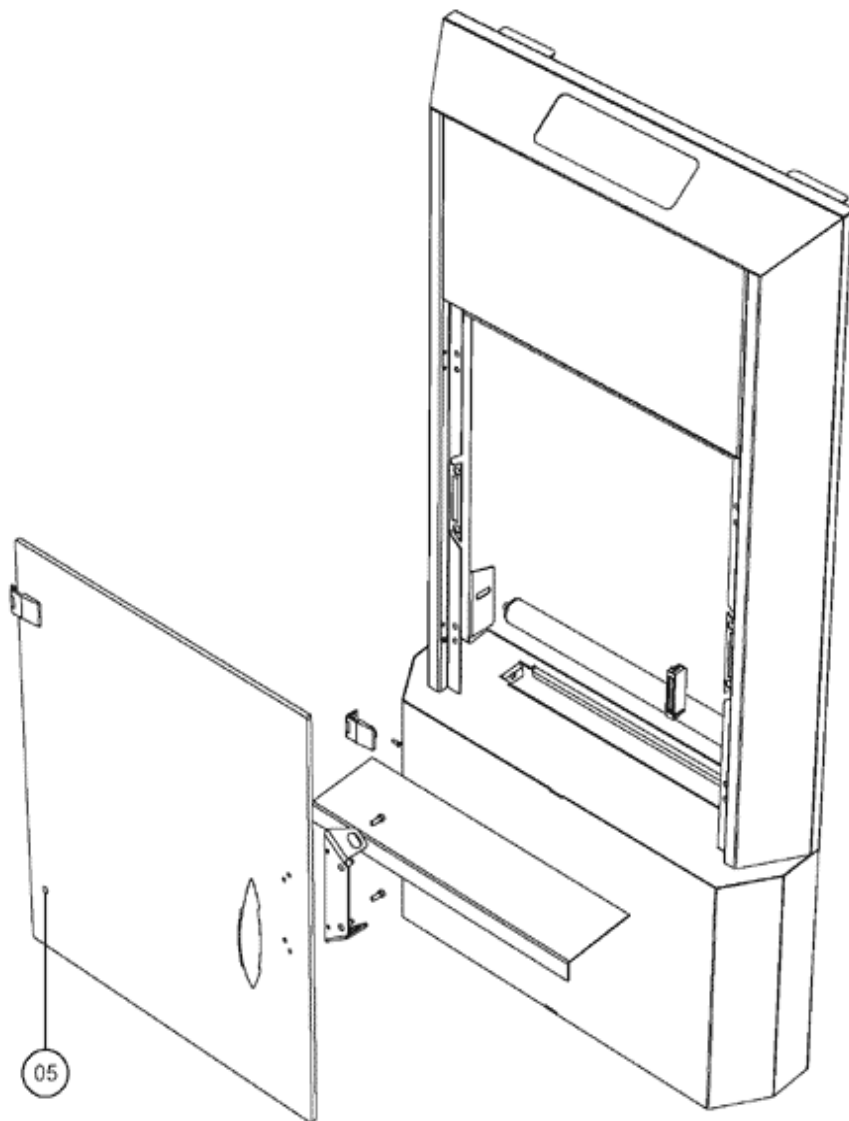
<i>ITEM</i>	<i>PART NUMBER</i>	<i>DESCRIPTION</i>	<i>REMARKS</i>	<i>QTY</i>
03	<a href="#">1809678-SP</a>	Pulley,spindle,clamp,SO300/400		1
08	<a href="#">1862167-SP</a>	Bearing,PBY15,2pcs,SO3/400		1
22	<a href="#">1812414-SP</a>	Bearing,set,2pcs,SO300		2
26	<a href="#">1863607-SP</a>	Spindle+nut,SO300		1

Page 5423 - Clamp,plate



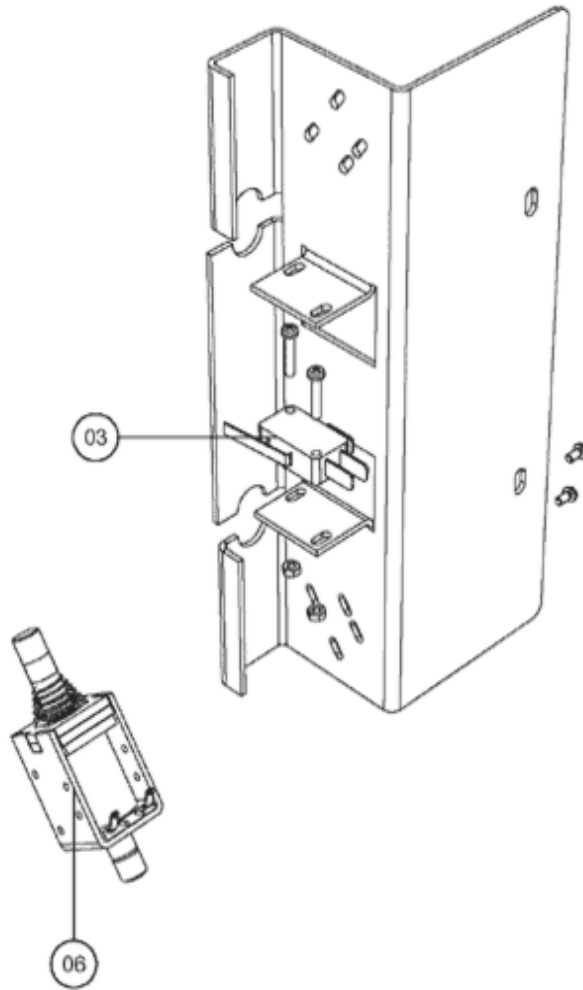
<i>ITEM</i>	<i>PART NUMBER</i>	<i>DESCRIPTION</i>	<i>REMARKS</i>	<i>QTY</i>
03	<a href="#">1813169-SP</a>	Sensor-5,shake-enable,SO300		1
06	<a href="#">1813170-SP</a>	Sensor-6,small-big-can,SO300		1
11	<a href="#">1809832-SP</a>	rubber,topplate,SO300/400		1
13	<a href="#">1862731-SP</a>	Clampplate,w,rubber,SO300/400		1

# Page 5425 - Front,door,assy



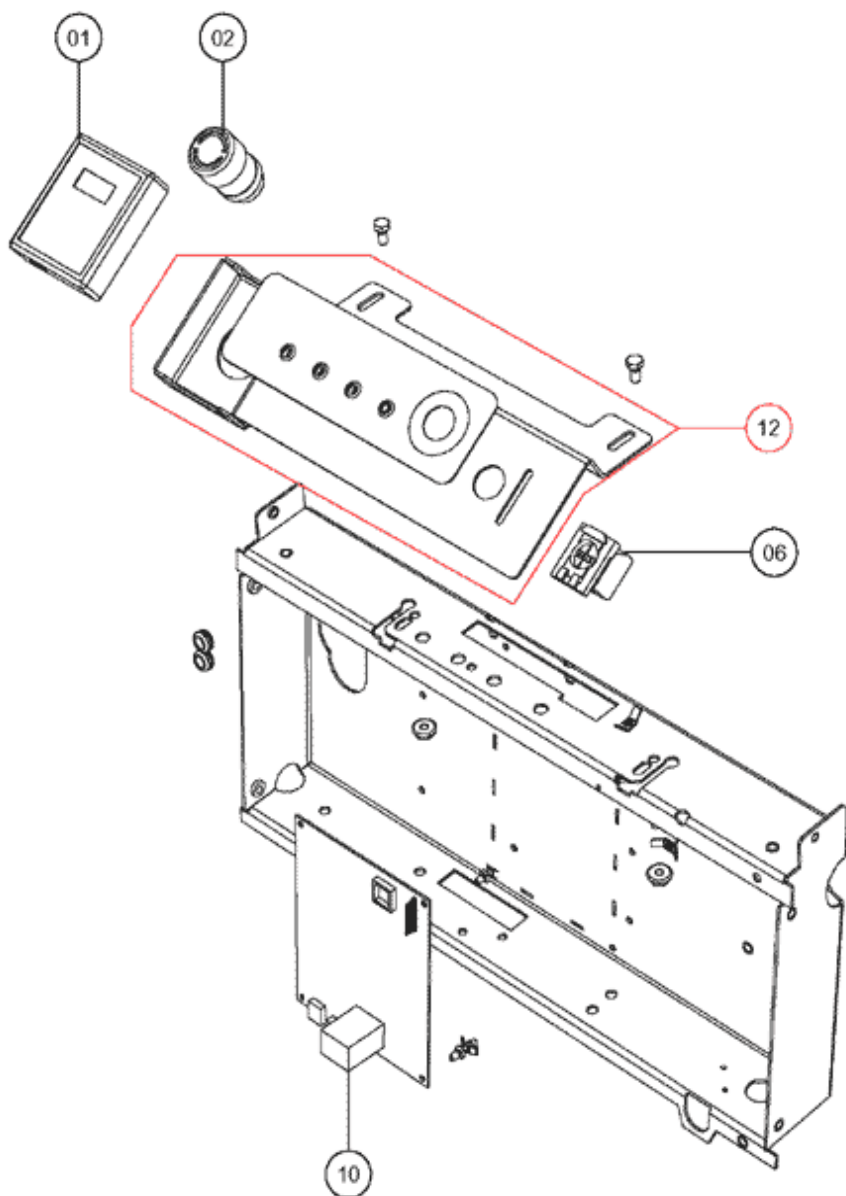
<i>ITEM</i>	<i>PART NUMBER</i>	<i>DESCRIPTION</i>	<i>REMARKS</i>	<i>QTY</i>
05	<a href="#">1863345-SP</a>	Door,complete,SO300		1

**Page 5430 - Door,lock,assy**



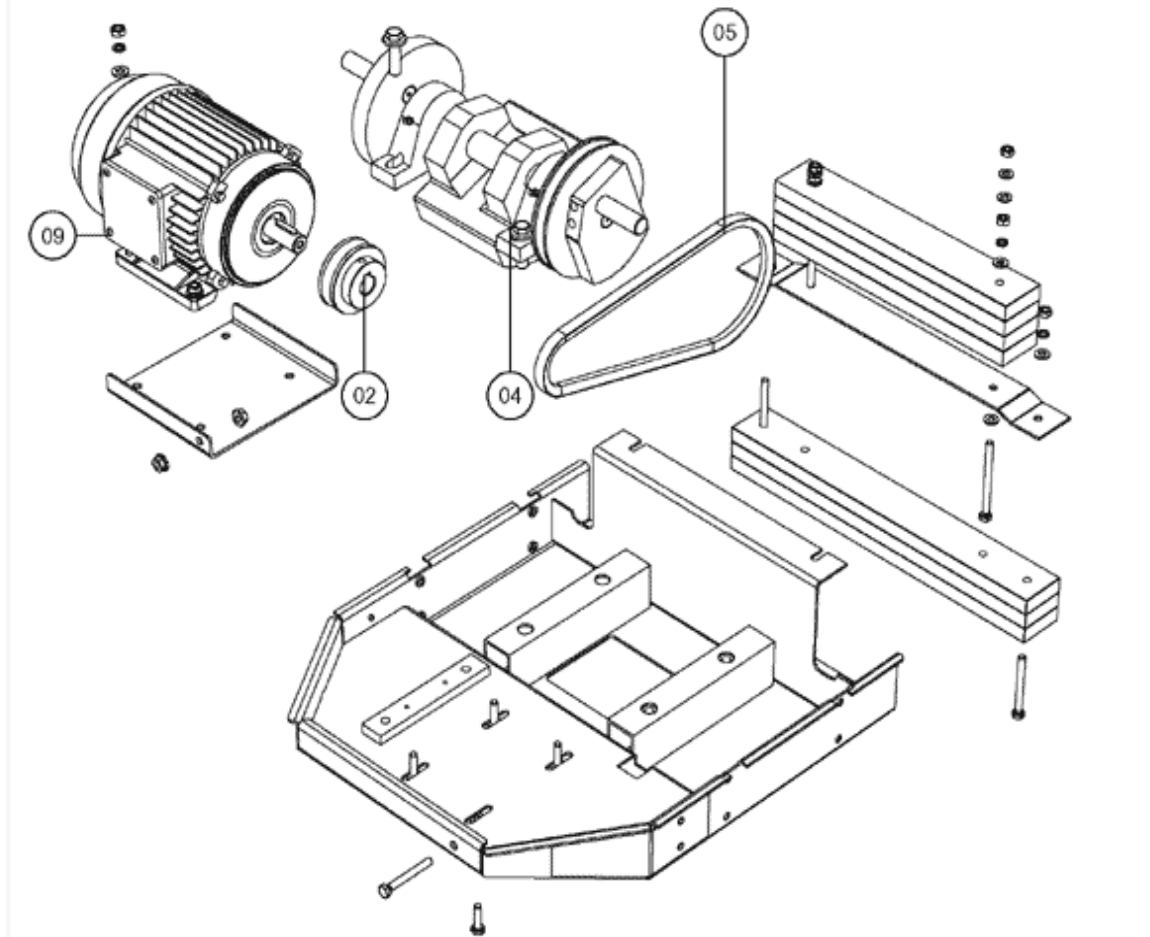
<i>ITEM</i>	<i>PART NUMBER</i>	<i>DESCRIPTION</i>	<i>REMARKS</i>	<i>QTY</i>
02	<a href="#">1863466-SP</a>	Switch,micro,hinge,lever,SO300		1
05	<a href="#">1860672-SP</a>	Solenoid,manual punch,SO/HA		1

## Page 5435 - Powerbox,assy



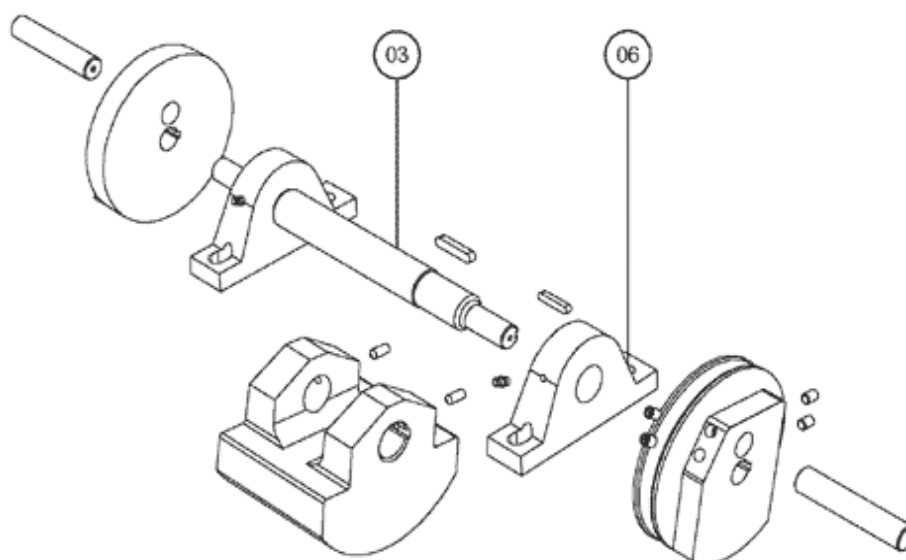
<i>ITEM</i>	<i>PART NUMBER</i>	<i>DESCRIPTION</i>	<i>REMARKS</i>	<i>QTY</i>
01	<a href="#">1068676-SP</a>	Operatorpanel		1
02	<a href="#">1862235-SP</a>	Emergency, switch SO300/40/400		1
06	<a href="#">1862403-SP</a>	Switch,on/off,SO300/40/400		1
10	<a href="#">1863463-SP</a>	Powerboard,SO300		1
12	<a href="#">1863464-SP</a>	Keyboard with bracket,SO300		1
	1863457-SP	Transformer+connector,SO300		1
	1863358-2-SP	Cap,shakemotor,88x88mm		1
	1863358-3-SP	Capacitor,start,80 $\mu$ F		1
	1863358-4-SP	Capacitor,run,25 $\mu$ F		1

## Page 5440 - Motor,weight,assy



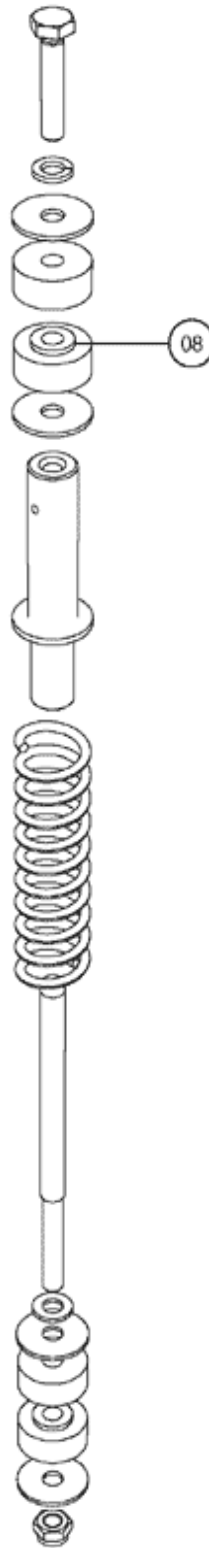
<i>ITEM</i>	<i>PART NUMBER</i>	<i>DESCRIPTION</i>	<i>REMARKS</i>	<i>QTY</i>
02	<a href="#">3001586-SP</a>	Pulley, SPA, DP66, hole-19		1
04	<a href="#">1807389-SP</a>	Crankshaft, assy, SO40/300/30/20		1
05	<a href="#">5108405-SP</a>	Belt, V-belt, gates, 4L330, mtr, 5G		1
09	<a href="#">1863358-SP</a>	Shakemotor, 750W, 220V50Hz, 1Phs		1
	1863358-2-SP	Cap, shakemotor, 88x88mm		1
	1863358-3-SP	Capacitor, start, 80 $\mu$ F		1
	1863358-4-SP	Capacitor, run, 25 $\mu$ F		1

**Page 5445 - Crankshaft,assy**



<i>ITEM</i>	<i>PART NUMBER</i>	<i>DESCRIPTION</i>	<i>REMARKS</i>	<i>QTY</i>
03	<a href="#">1812338-SP</a>	Crankshaft,SO20/300/400		1
06	<a href="#">1602557-SP</a>	Bearing,PASEY30,set,2pcs		2

**Page 5450 - Superstrut,assy**



<i>ITEM</i>	<i>PART NUMBER</i>	<i>DESCRIPTION</i>	<i>REMARKS</i>	<i>QTY</i>
08	<a href="#">5109202-SP</a>	Grommet,strut,5G,set 16pcs.		16

---

© Fast & Fluid Management, 2005  
[www.Fast-Fluid.com](http://www.Fast-Fluid.com)

---