

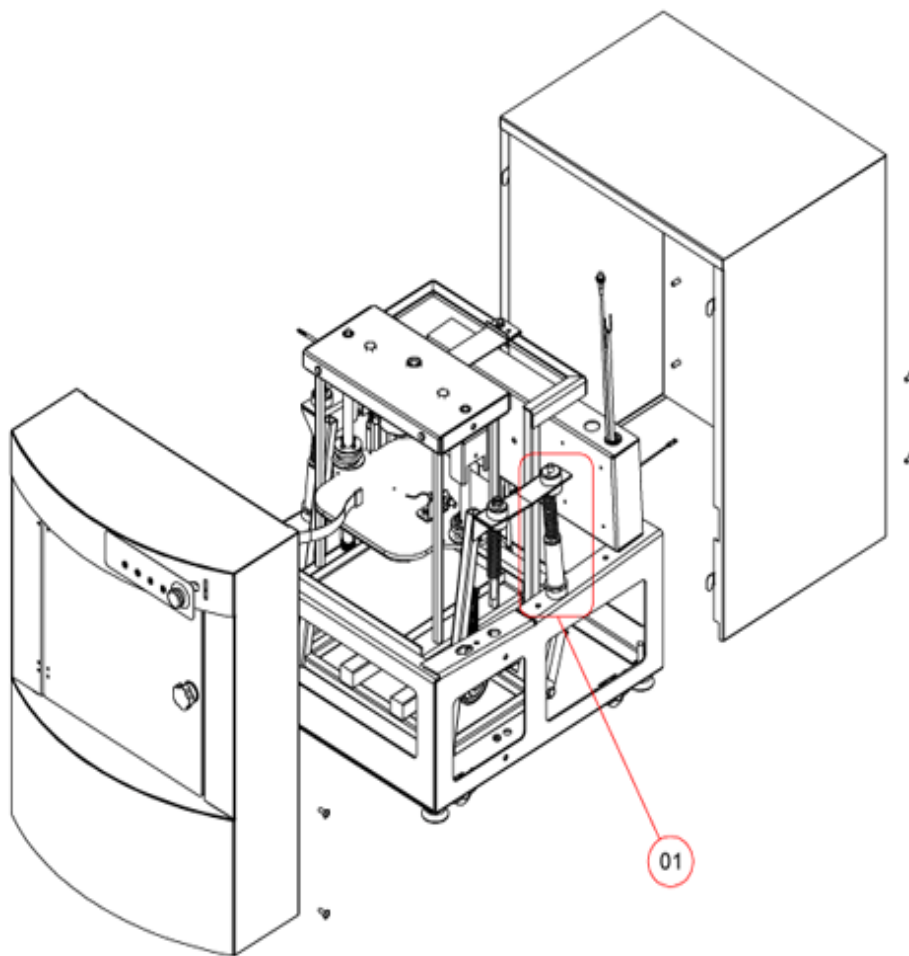


# Skandex Shaker SO100 Sparepartsbook

© Fast & Fluid Management, 2005

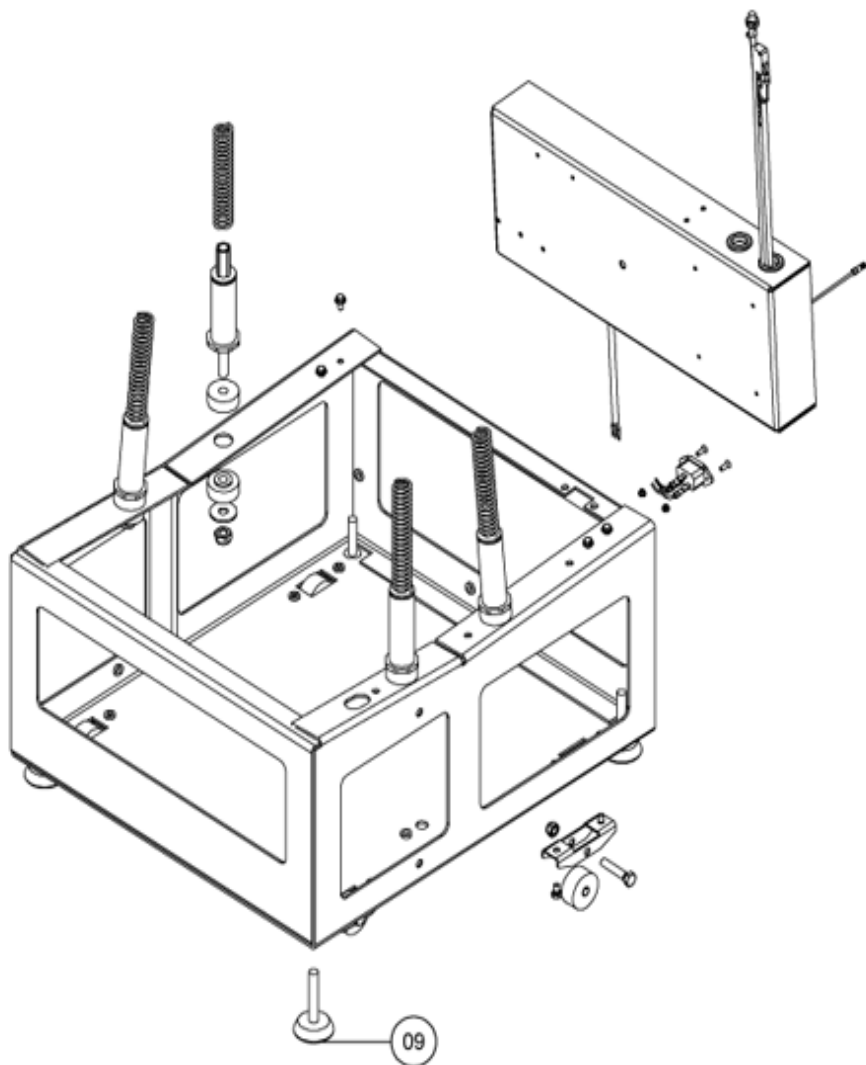
# So100 Sparepartsbook

## Page 5600 - Composition,assy



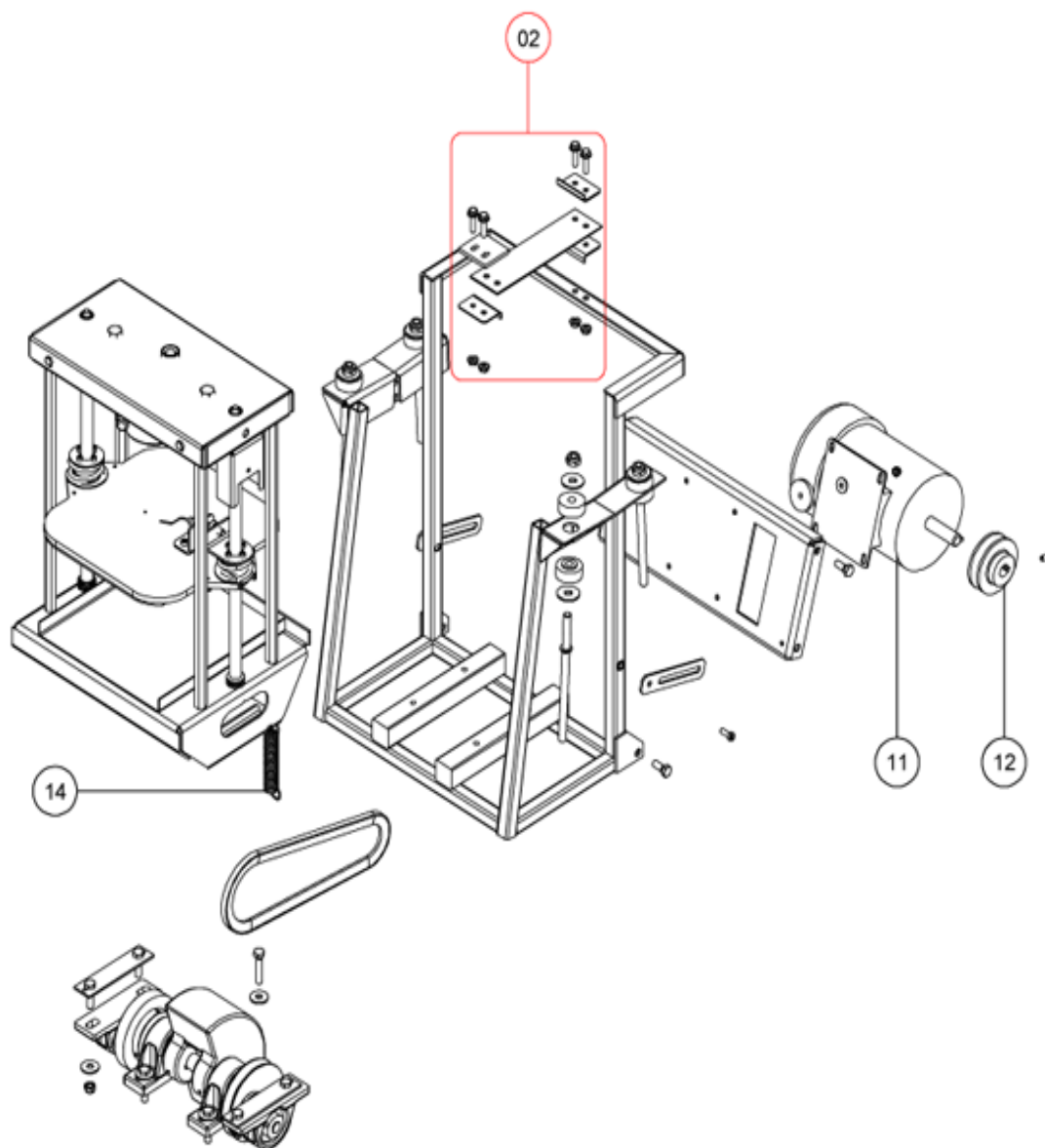
<i>ITEM</i>	<i>PART NUMBER</i>	<i>DESCRIPTION</i>	<i>REMARKS</i>	<i>QTY</i>
01	1860487-SP	spring leg,assy,s7		1

**Page 5605 - Outer,frame,assy**



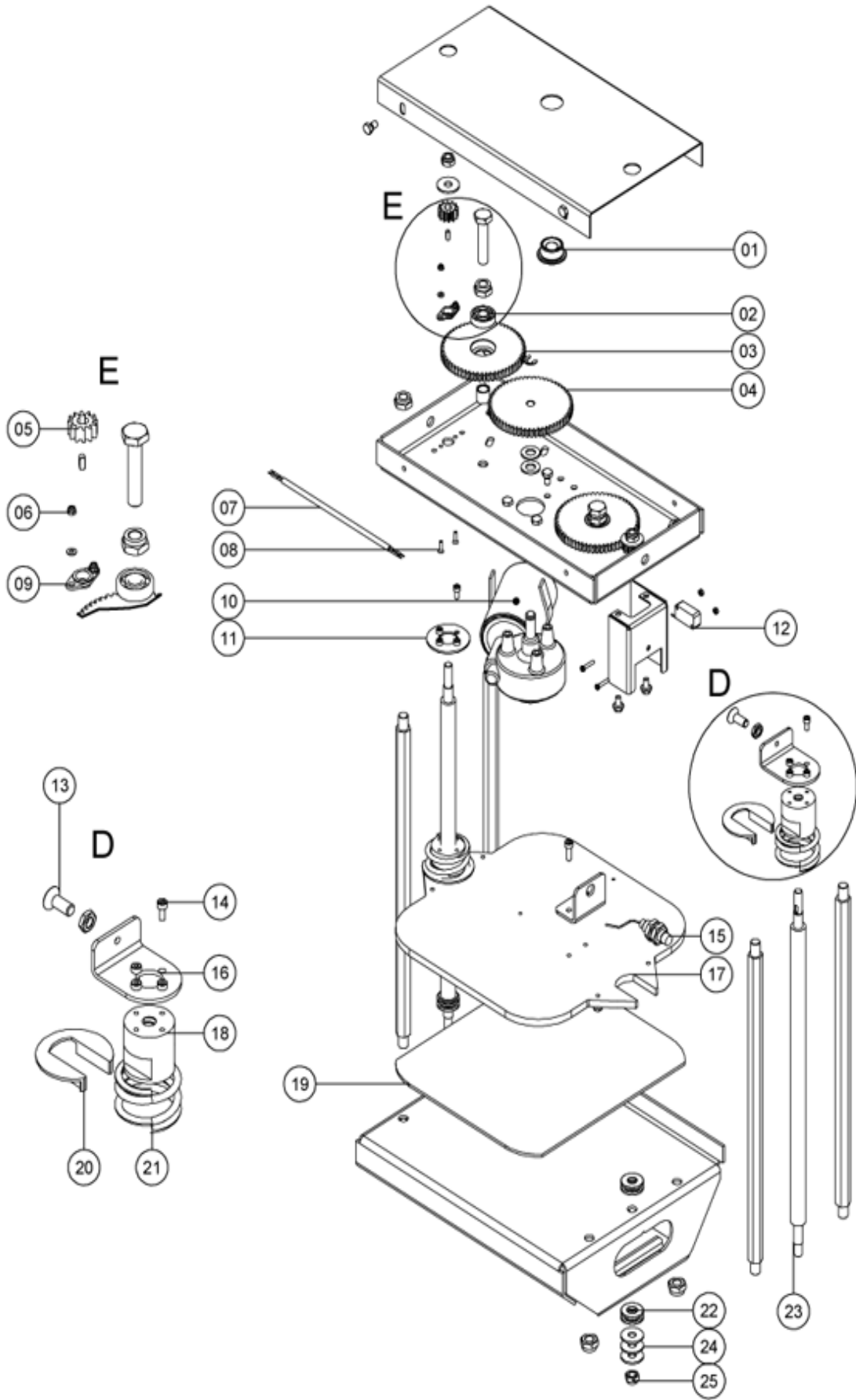
<i>ITEM</i>	<i>PART NUMBER</i>	<i>DESCRIPTION</i>	<i>REMARKS</i>	<i>QTY</i>
09	1862594-SP	Foot,plastic,M10x60(set 4 pcs)		4

# Page 5610 - Outer,frame,assy



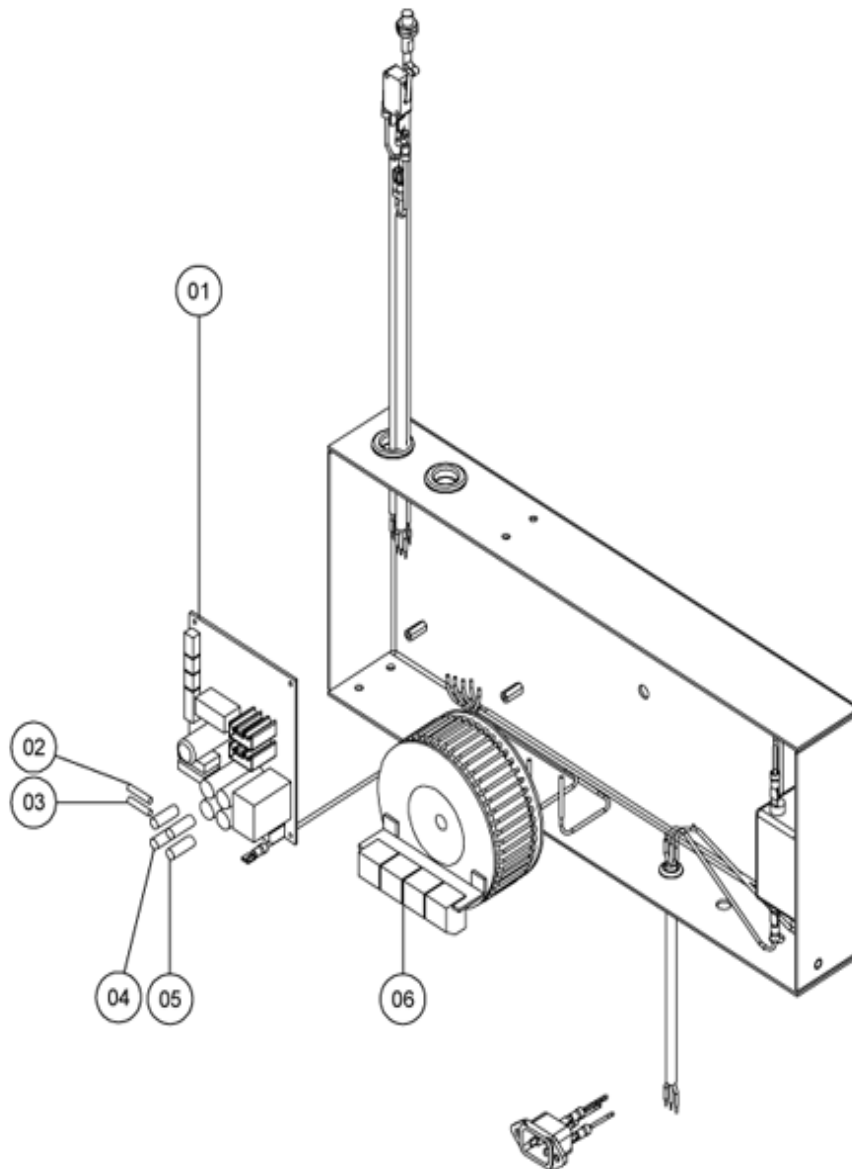
<i>ITEM</i>	<i>PART NUMBER</i>	<i>DESCRIPTION</i>	<i>REMARKS</i>	<i>QTY</i>
02	1810488B-SP	Leafspring,set,SO100		1
11	1861230-SP	Motor,110V,SO-10&SO-20		1
11	1861156-SP	Motor,180W,230V,50Hz,SO10/SO20		1
12	1663319-SP	Pulley SPA56,f61.6,BAEL,BAS,5G		1
12	5308207-SP	Pulley SPA66,f71.6,5G-Euro		1
14	1812975-SP	Support,spring,2pcs,SO100		2

# Page 5620 - Clamp,frame,assy



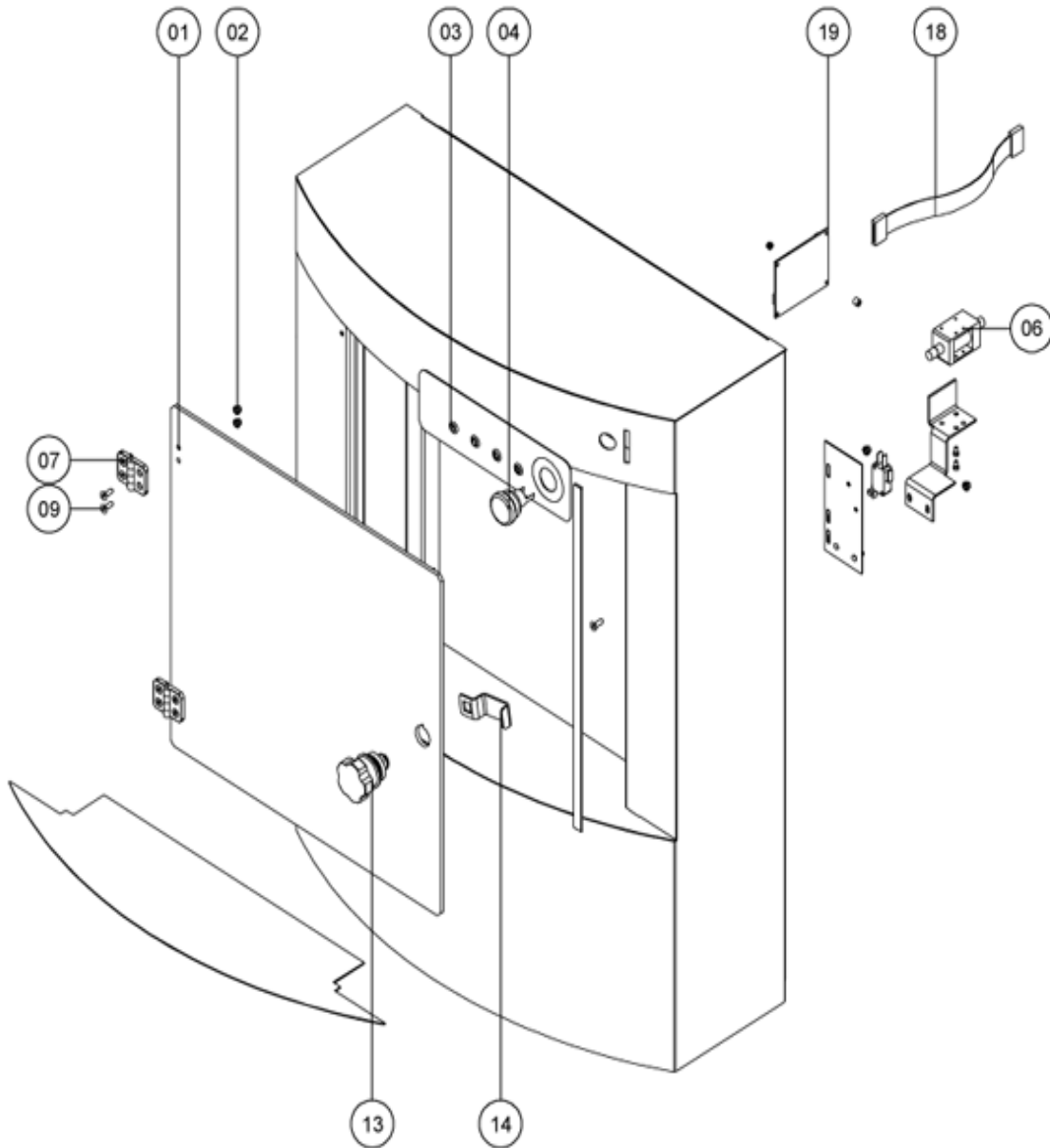
<i>ITEM</i>	<i>PART NUMBER</i>	<i>DESCRIPTION</i>	<i>REMARKS</i>	<i>QTY</i>
01	1812980-SP	Rolling,ball,Star,SO100		1
07	1068635-SP	Motor,24V,Cable,SO100		1
09	1812941-SP	Flange,Igildur,set 2pcs,SO100		2
10	1812963-SP	Motorgear,Bosch,SO100		1
12	2010391-SP	Microswitch,upper pos,SO100		1
15	2010390-SP	Proximity,can pressed,SO100		1
17	1812301-SP	Clampplate,w,rubber,SO100		1
18	1812942-SP	Plateholder,Nut,set,SO100		2
19	1812955-SP	Pad,Upper,Plate,SO100		1
20	1812981-SP	Half-ring,set 2pcs,SO100		2
21	1812944-SP	Compression,Spring,SO100		1
22	1812976-SP	Bearing,set 2pcs,SO100		2
	1812968-SP	Spindle,assy,SO100	6,8,9,11,13,14,16 ,21,22,23,24 & 25	1
	1812957-SP	Gear,set,SO100	2,3,4 & 5	1

## Page 5635 - Mechanica,assy,SO100



<i>ITEM</i>	<i>PART NUMBER</i>	<i>DESCRIPTION</i>	<i>REMARKS</i>	<i>QTY</i>
01	1067708-SP	SO100,powerboard		1
02	1175211-SP	Fuse,8A,250V,Traag,10pcs		10
03	1863291-SP	Fuse,500mA T,5x20mm,set 10pcs		10
04	1860745-SP	Fuse,3.15A,T,autom.,set,10pcs		10
05	1863290-SP	Fuse,12.5A T,5x20mm,set 10pcs		10
06	1813177-SP	Transformer 160VA,SO100		1

**Page 5640 - Front,door,assy**



<i>ITEM</i>	<i>PART NUMBER</i>	<i>DESCRIPTION</i>	<i>REMARKS</i>	<i>QTY</i>
01	1812956-SP	Door,complete,SO100	1,2,7,9,13 & 14	1
03	1812985-SP	Keyboard,SO100		1
04	1813179-SP	Compl,emergency,button,SO100		1
06	1860672-SP	Solenoid,manual,punch,HA		1
07	1812959-SP	Door,Hinge,set 2pcs,SO100		2
14	1812960-SP	Locking,Door,SO100		1
18	1813178-SP	Flat,cable,SO100		1
19	1067701-SP	SO100,logicboard		1

**Page 5645 - Operator,panel**



<i>ITEM</i>	<i>PART NUMBER</i>	<i>DESCRIPTION</i>	<i>REMARKS</i>	<i>QTY</i>
	1068676-SP	Operatorpanel,SO100/SO300(IT)		1

---

© Fast & Fluid Management, 2005  
[www.Fast-Fluid.com](http://www.Fast-Fluid.com)

---