

FAST & FLUID MANAGEMENT AUSTRALIA
BLENDORAMA SERIES II

SPARE PARTS MANUAL

22XC – 22XD – 22XE

23XC – 23XD – 23XE

53XB – 53XD – 53XE

ENGLISH



This page is intentionally left blank.

TABLE OF CONTENTS

CYLINDER VALVE ASSEMBLIES

22 XC/XD/XE	3
53 XB/XD/XE	6

CANISTER ASSEMBLIES

1.75L.....	8
2.5L.....	10
3.5L.....	12
5.0L.....	14
2.5L STAINLESS STEEL.....	16
5.0L STAINLESS STEEL.....	18

PLUNGER ASSEMBLIES

22XC.....	20
22XD/XE	22
53XD/XE	24
53XB.....	26

BENCH BASE ASSEMBLIES..... 28

DRIVE ASSEMBLIES..... 30

REMOTE BRACKET ASSEMBLIES..... 32

FLOOR STAND ASSEMBLY..... 34

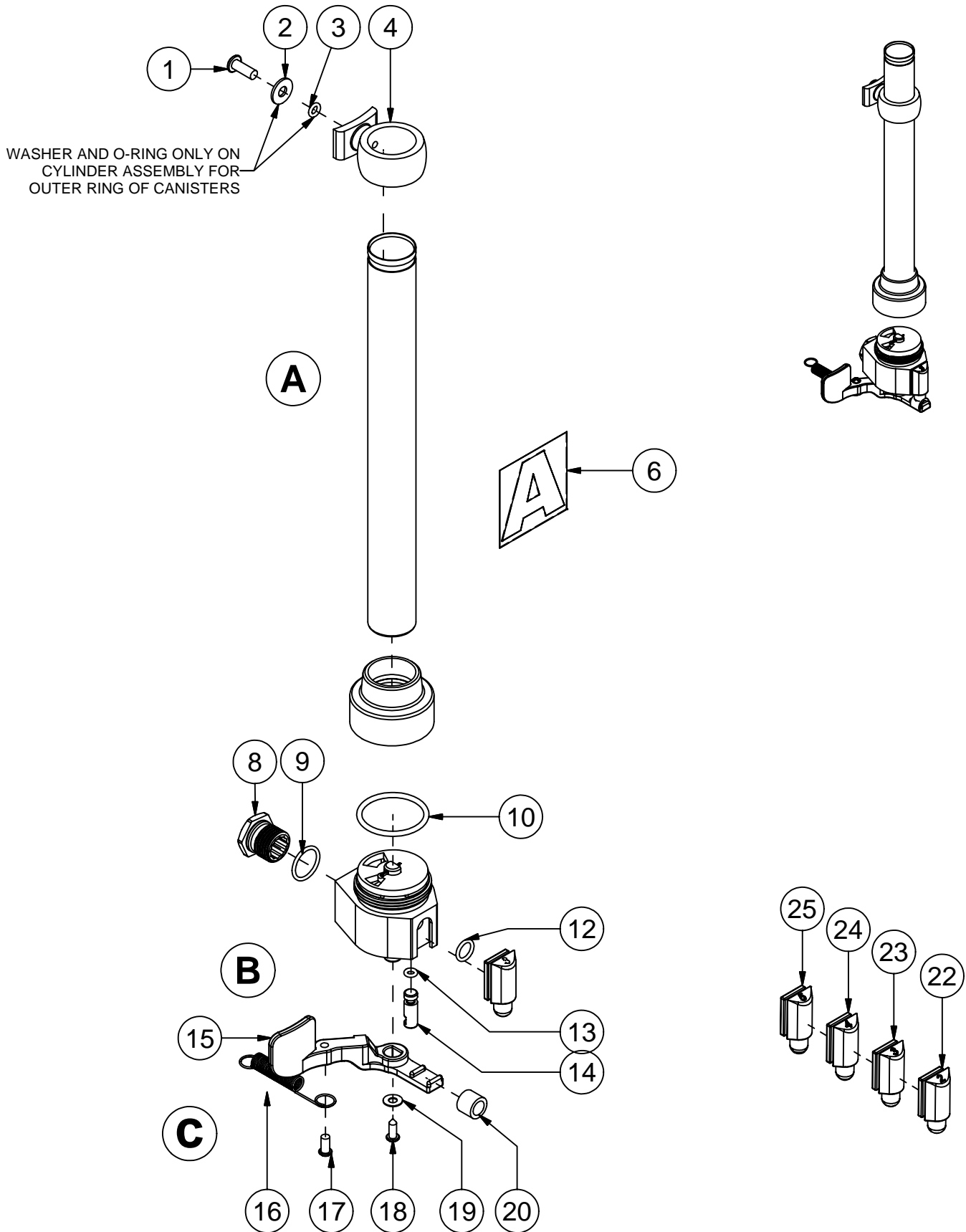
CYLINDER VALVE ASSEMBLY 22 XC/XD/XE

ITEM	DESCRIPTION	PART NUMBER	
		INNER RING	OUTER RING
A	CYLINDER REDUCER ASSY-21P 7/8" SHORT	7133	10175
	CYLINDER REDUCER ASSY-21P 7/8" LONG (US-IMP)	7134	10176
1	M/T-3/16"BSWx1/2" XR PAN HD S	R0832	R0832
2	WASHER-3/16"x1/2"x0.032"FLT S	R0833	
3	O-RING BS007 NITRILE	B007	
4	SLEEVE-21P 7/8"CYL HOLD	701	701
6	TRANSFER	3503	3503
	<i>Add appropriate letter or number eg 3503-A as shown</i>		
B	VALVE ASSEMBLY-STD NITRILE 2mm	10300	
	VALVE ASSEMBLY-STD NITRILE 3mm	10301	
	VALVE ASSEMBLY-STD NITRILE 4mm	10302	
	VALVE ASSEMBLY-STD NITRILE 5mm	10303	
	VALVE ASSEMBLY-S/S CAN-NITRILE 4mm	10316	
	VALVE ASSEMBLY-S/S CAN-NITRILE 5mm	10317	
	<i>This is a complete valve including the handle assembly</i>		
8	INSERT-CAN/VALVE ACETAL (plastic canisters)	13543	
8	INSERT SLEEVE-VALVE (stainless steel canisters)	8016	
9	O-RING BS015 NITRILE	B015	
10	O-RING BS122 NITRILE	B122	
12	O-RING BS011 NITRILE	B011	
13	O-RING BS006 NITRILE	B006	
14	PISTON-21P/53P SNIFF BACK	3532	
15	VALVE LEVER	18819	
16	SPRING-VALVE LEVER RETURN	8488	
17	M/T-M4x8 PAN HD XR MSNP	R0329	
18	6# x 3/8" PAN PHIL Z/P STS	R0946	
19	4 x 9mm Z/P WASHER	R0947	
20	PAD-NOZZLE WIPER-NITRILE	3380	
22	2MM VALVE OUTLET NOZZLE	13532	
23	3MM VALVE OUTLET NOZZLE	13533	
24	4MM VALVE OUTLET NOZZLE	13534	
25	5MM VALVE OUTLET NOZZLE	13535	
C	VALVE HANDLE ASSEMBLY-STD-NITRILE	10370	
	VALVE HANDLE ASSEMBLY-STD-EPDM	10371	
	VALVE HANDLE ASSEMBLY-STD-VITON	10372	
	VALVE HANDLE ASSEMBLY-STD-SILICON	10373	
15	VALVE LEVER	18819	
16	SPRING-VALVE LEVER RETURN	8488	
17	M/T-M4x8 PAN HD XR MSNP	R0329	
18	6# x 3/8" PAN PHIL Z/P STS	R0946	
19	4 x 9mm Z/P WASHER	R0947	
20	PAD-NOZZLE WIPER-NITRILE	3380	
	PAD-NOZZLE WIPER-EPDM	3380E	
	PAD-NOZZLE WIPER-VITON	3380V	
	PAD-NOZZLE WIPER-SILICON	3380S	

PLEASE NOTE

- O-Rings available in Nitrile, EPDM, Viton and Silicon - please enquire for part numbers.

CYLINDER VALVE ASSEMBLY 22 XC/XD/XE



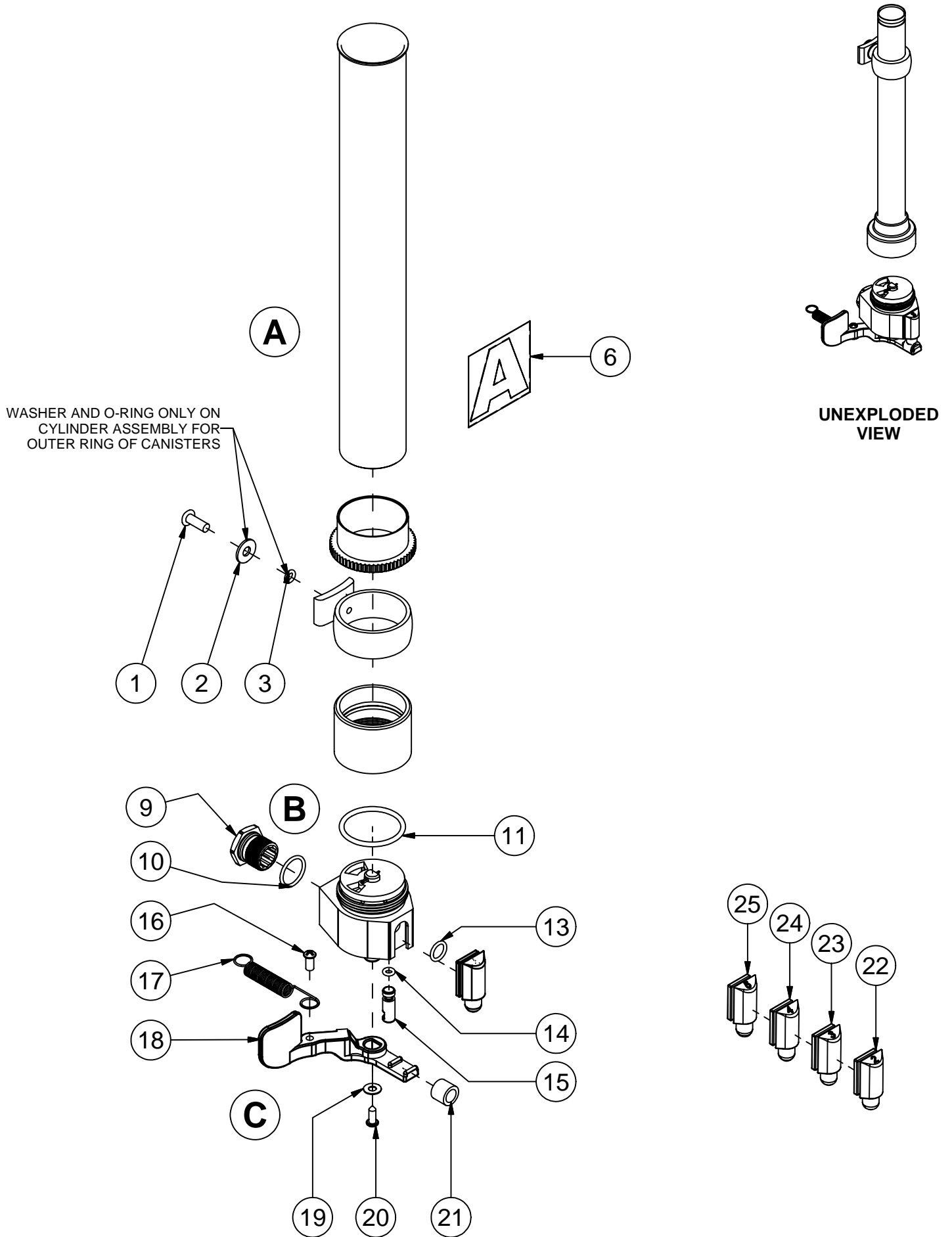
CYLINDER VALVE ASSEMBLY 53 XB/XD/XE

ITEM	DESCRIPTION	PART NUMBER	
		INNER RING	OUTER RING
A	CYLINDER REDUCER ASSY-53P	7051	10177
1	M/T-3/16"BSWx1/2" XR PAN HD S	R0832	R0832
2	WASHER-3/16"x1/2"x0.032"FLT S	R0833	
3	O-RING BS007 NITRILE	B007	
6	TRANSFER	3503	3503
	<i>Add appropriate letter or number eg 3503-A as shown</i>		
B	VALVE ASSEMBLY-STD NITRILE 2mm	10300	
	VALVE ASSEMBLY-STD NITRILE 3mm	10301	
	VALVE ASSEMBLY-STD NITRILE 4mm	10302	
	VALVE ASSEMBLY-STD NITRILE 5mm	10303	
	VALVE ASSEMBLY-S/S CAN-NITRILE 4mm	10316	
	VALVE ASSEMBLY-S/S CAN-NITRILE 5mm	10317	
	<i>This is a complete valve including the handle assembly</i>		
9	INSERT-CAN/VALVE ACETAL (plastic canisters)	13543	
9	INSERT SLEEVE-VALVE (stainless steel canisters)	8016	
10	O-RING BS015 NITRILE	B015	
11	O-RING BS122 NITRILE	B122	
13	O-RING BS011 NITRILE	B011	
14	O-RING BS006 NITRILE	B006	
15	PISTON-21P/53P SNIFF BACK	3532	
16	VALVE LEVER	18819	
17	SPRING-VALVE LEVER RETURN	8488	
18	M/T-M4x8 PAN HD XR MSNP	R0329	
19	6# x 3/8" PAN PHIL Z/P STS	R0946	
20	4 x 9mm Z/P WASHER	R0947	
21	PAD-NOZZLE WIPER-NITRILE	3380	
22	2MM VALVE OUTLET NOZZLE	13532	
23	3MM VALVE OUTLET NOZZLE	13533	
24	4MM VALVE OUTLET NOZZLE	13534	
25	5MM VALVE OUTLET NOZZLE	13535	
C	VALVE HANDLE ASSEMBLY-STD-NITRILE	10370	
	VALVE HANDLE ASSEMBLY-STD-EPDM	10371	
	VALVE HANDLE ASSEMBLY-STD-VITON	10372	
	VALVE HANDLE ASSEMBLY-STD-SILICON	10373	
15	VALVE LEVER	18819	
16	SPRING-VALVE LEVER RETURN	8488	
17	M/T-M4x8 PAN HD XR MSNP	R0329	
18	6# x 3/8" PAN PHIL Z/P STS	R0946	
19	4 x 9mm Z/P WASHER	R0947	
20	PAD-NOZZLE WIPER-NITRILE	3380	
	PAD-NOZZLE WIPER-EPDM	3380E	
	PAD-NOZZLE WIPER-VITON	3380V	
	PAD-NOZZLE WIPER-SILICON	3380S	

PLEASE NOTE

- O-Rings available in Nitrile, EPDM, Viton and Silicon - please enquire for part numbers.

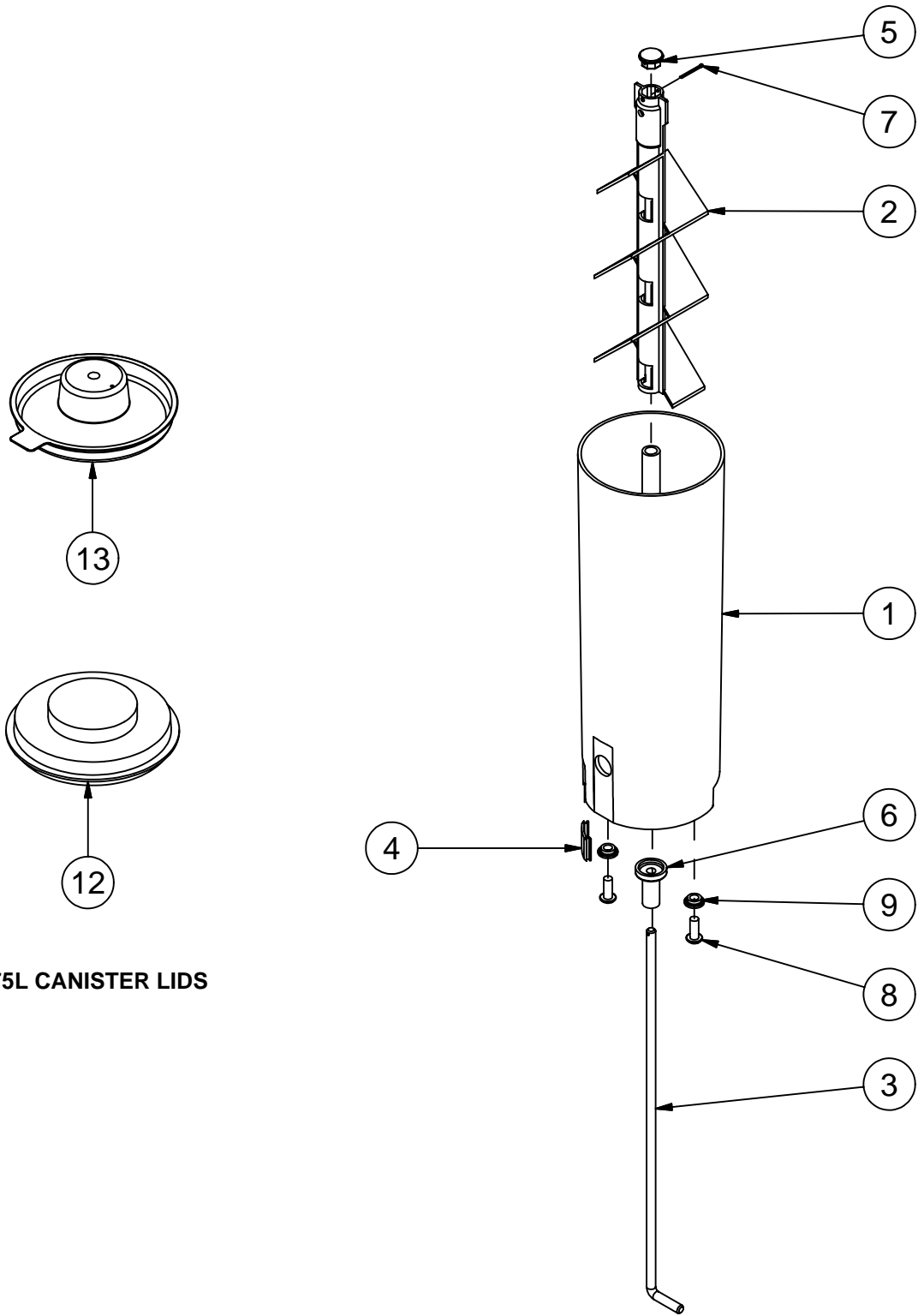
CYLINDER VALVE ASSEMBLY 53 XB/XD/XE



1.75L CANISTER ASSEMBLIES

ITEM	DESCRIPTION	PART NUMBER
	CANISTER ASSY-1.75L-22P-INNER	10140
1	CANISTER-1.75L-22P	17163
2	STIRRER-22P WHITE	7165
3	CRANKSHAFT-22P-L NECK	17167
4	BARRIER-22P CANISTER	7300
5	TOP CAP	9007
6	SPACER-TM300 CANISTER	1811460
7	PIN-SPLIT 1.6 x 20mm S/S	R0536
8	M/T-M6x16 PAN HD N/P	R0945
9	SPACER BUSH-INNER RING CANISTER	10173
	CANISTER ASSY-1.75L-22P-OUTER	10141
1	CANISTER-22P-1.75L-OUTER	10158
2	STIRRER-22P WHITE	7165
3	CRANKSHAFT-22P-L NECK	17167
4	BARRIER-22P CANISTER	7300
5	TOP CAP	9007
6	SPACER-TM300 CANISTER	1811460
7	PIN-SPLIT 1.6 x 20mm S/S	R0536
8	M/T-M6x16 PAN HD N/P	R0945
	M/T-M4x8 PAN HD XR M <i>for valve lever return spring</i>	R0329
	1.75L CANISTER LIDS	
12	LID-1.75L CANISTER-CLEAR	7806C
13	LID-1.75L CANISTER-SEALING-BLACK	1803539

1.75L CANISTER ASSEMBLIES

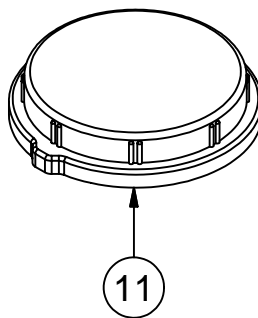
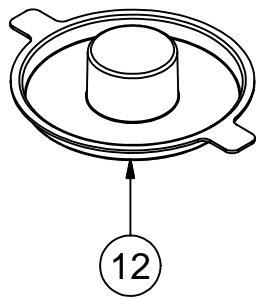


1.75L CANISTER LIDS

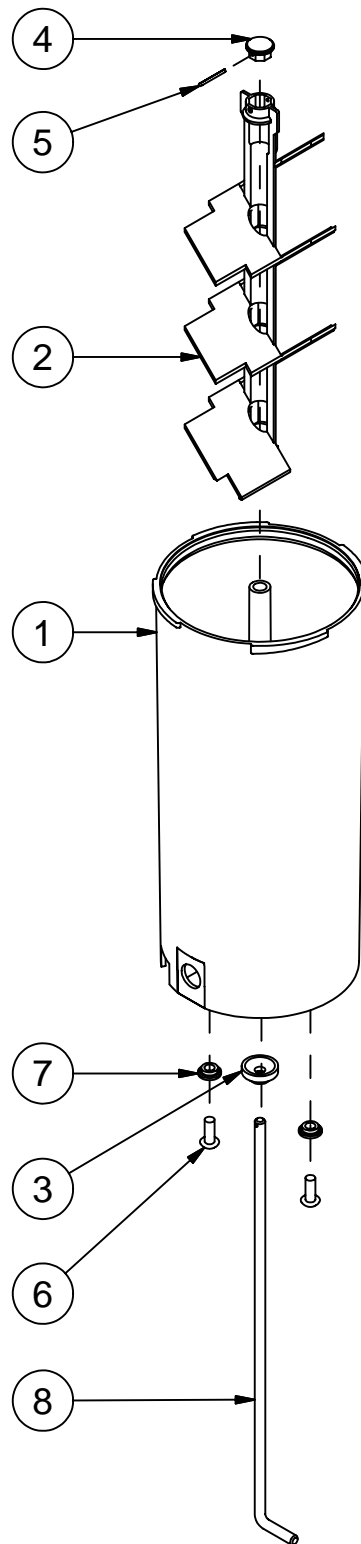
2.5L CANISTER ASSEMBLIES

ITEM	DESCRIPTION	PART NUMBER
	CANISTER ASSY-2.5L-53P-INNER	10144
1	CANISTER-2.5L-53P	18410
2	STIRRER-53P WHITE	3305
3	SPACER-CRANKSHAFT-53P-L NECK	10134
4	TOP CAP	9007
5	PIN-SPLIT 1.6 x 20mm S/S	R0536
6	M/T-M6x16 PAN HD N/P	R0945
7	SPACER BUSH-INNER RING CANISTER	10173
8	CRANKSHAFT-53P-L NECK	17460
	CANISTER ASSY-2.5L-53P-OUTER	10145
1	CANISTER-53P-2.5L-OUTER	10160
2	STIRRER-53P WHITE	3305
3	SPACER-CRANKSHAFT-53P-L NECK	10134
4	TOP CAP	9007
5	PIN-SPLIT 1.6 x 20mm S/S	R0536
6	M/T-M6x16 PAN HD N/P	R0945
7	SPACER BUSH-INNER RING CANISTER	10173
8	CRANKSHAFT-53P-L NECK	17460
	M/T-M4x8 PAN HD XR M	R0329
	<i>for valve lever return spring</i>	
	2.5L CANISTER LIDS	
11	LID-2.5L CANISTER-CLEAR	7517C
12	LID-2.5L CANISTER-SEALING BLACK	7776

2.5L CANISTER ASSEMBLIES



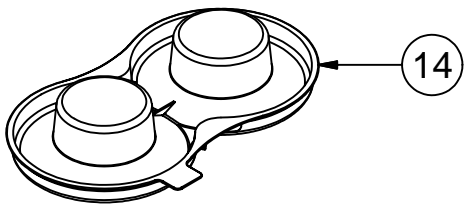
2.5L CANISTER LIDS



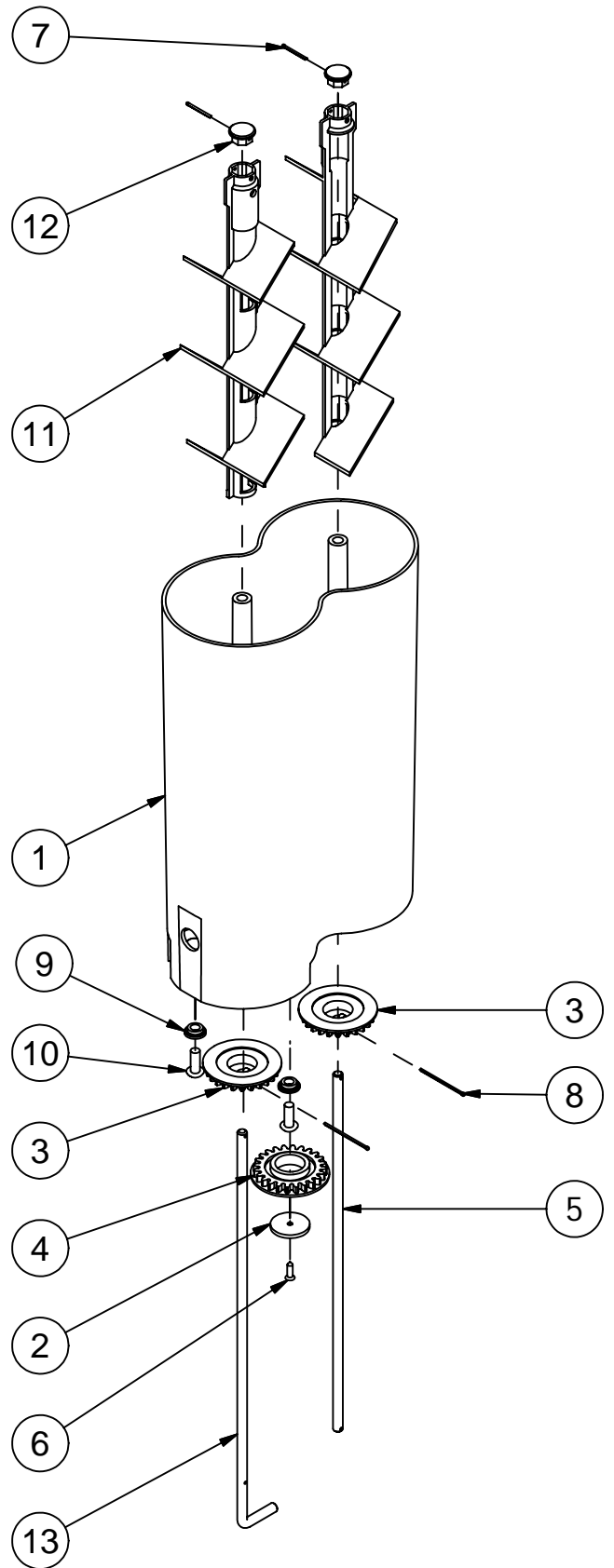
3.5L CANISTER ASSEMBLIES

ITEM	DESCRIPTION	PART NUMBER
	CANISTER ASSY-3.5L-24P-INNER	10142
1	CANISTER-3.5L-24P	18607
2	WASHER-56P HOLD DOWN DBL CAN	3314
3	GEAR-DOUBLE CANISTER DRIVE 56	7111
4	GEAR-DOUBLE CANISTER IDLER 56	7112
5	SHAFT-24P REAR STIRRER	8421
6	S/TAP-#6x1/2"CSK HD.S/S	R0228
7	PIN-SPLIT 1.6 x 20mm S/S	R0536
8	PIN-SPLIT 1.6mm x 38mm S/S 30	R0622
9	SPACER BUSH-INNER RING CANISTER	10173
10	M/T-M6x16 PAN HD N/P	R0945
11	STIRRER-22P WHITE	7165
12	TOP CAP	9007
13	CRANKSHAFT-24P-L NECK	18609
	CANISTER ASSY-3.5L-24P-OUTER	10143
1	CANISTER-3.5L-24P	18607
2	WASHER-56P HOLD DOWN DBL CAN	3314
3	GEAR-DOUBLE CANISTER DRIVE 56	7111
4	GEAR-DOUBLE CANISTER IDLER 56	7112
5	SHAFT-24P REAR STIRRER	8421
6	S/TAP-#6x1/2"CSK HD.S/S	R0228
7	PIN-SPLIT 1.6 x 20mm S/S	R0536
8	PIN-SPLIT 1.6mm x 38mm S/S 30	R0622
10	M/T-M6x16 PAN HD N/P	R0945
11	STIRRER-22P WHITE	7165
12	TOP CAP	9007
13	CRANKSHAFT-24P-L NECK	18609
	M/T-M4x8 PAN HD XR M	R0329
	<i>for valve lever return spring</i>	
	3.5L CANISTER LIDS	
14	LID-3.5L CANISTER-SEALING BLACK	8608

3.5L CANISTER ASSEMBLIES



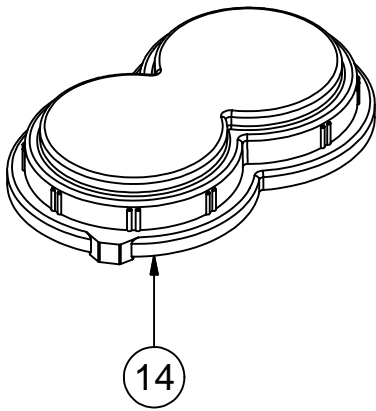
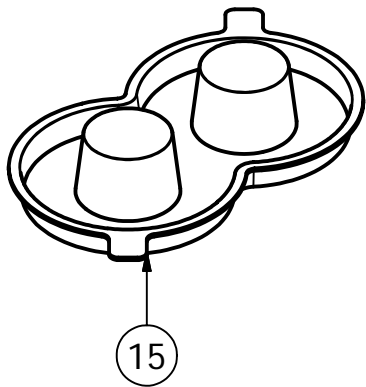
3.5L CANISTER LID



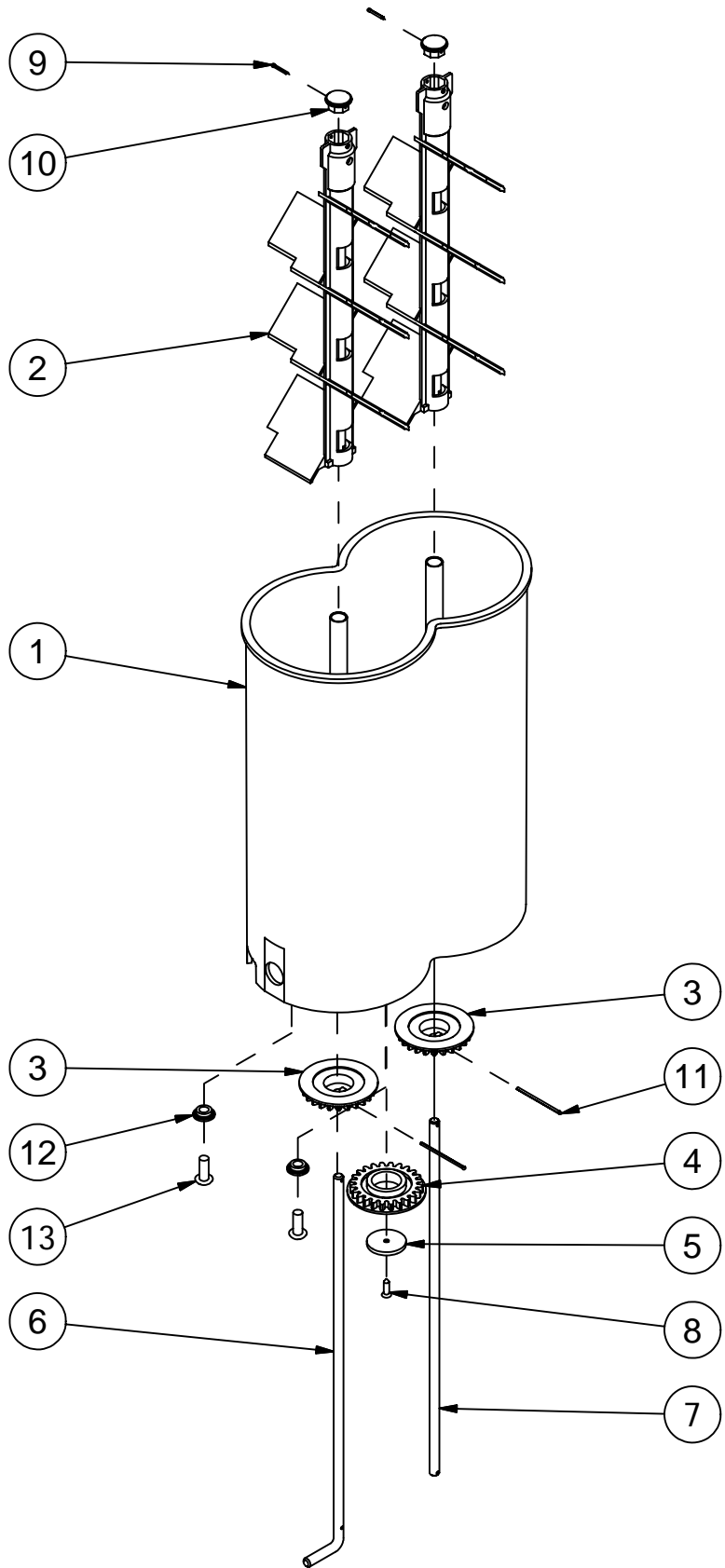
5.0L CANISTER ASSEMBLIES

ITEM	DESCRIPTION	PART NUMBER
	CANISTER ASSY-5.0L-56P-INNER	10146
1	CANISTER-5.0L-56P	17110
2	STIRRER-53P WHITE	3305
3	GEAR-DOUBLE CANISTER DRIVE 56	7111
4	GEAR-DOUBLE CANISTER IDLER 56	7112
5	WASHER-56P HOLD DOWN DBL CAN	3314
6	CRANKSHAFT-56P-L NECK	17494
7	SHAFT-56P REAR STIRRER	10174
8	S/TAP-#6x1/2"CSK HD.S/S	R0228
9	PIN-SPLIT 1.6 x 20mm S/S	R0536
10	TOP CAP	9007
11	PIN-SPLIT 1.6mm x 38mm S/S 30	R0622
12	SPACER BUSH-INNER RING CANISTER	10173
13	M/T-M6x16 PAN HD N/P	R0945
	CANISTER ASSY-5.0L-56P-OUTER	10147
1	CANISTER-56P-5.0L-OUTER	10161
2	STIRRER-53P WHITE	3305
3	GEAR-DOUBLE CANISTER DRIVE 56	7111
4	GEAR-DOUBLE CANISTER IDLER 56	7112
5	WASHER-56P HOLD DOWN DBL CAN	3314
6	CRANKSHAFT-56P-L NECK	17494
7	SHAFT-56P REAR STIRRER	10174
8	S/TAP-#6x1/2"CSK HD.S/S	R0228
9	PIN-SPLIT 1.6 x 20mm S/S	R0536
10	TOP CAP	9007
11	PIN-SPLIT 1.6mm x 38mm S/S 30	R0622
13	M/T-M6x16 PAN HD N/P	R0945
	M/T-M4x8 PAN HD XR M	R0329
	<i>for valve lever return spring</i>	
	5.0L CANISTER LIDS	
14	LID-5.0L CANISTER-CLEAR	7395C
15	LID-5.0L CANISTER-SEALING BLACK	7777

5.0L CANISTER ASSEMBLIES



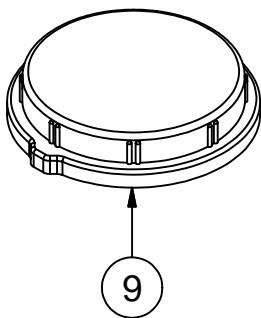
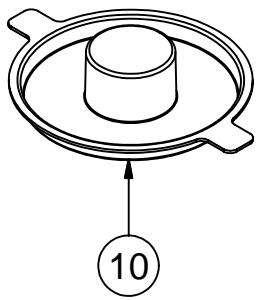
5.0L CANISTER LIDS



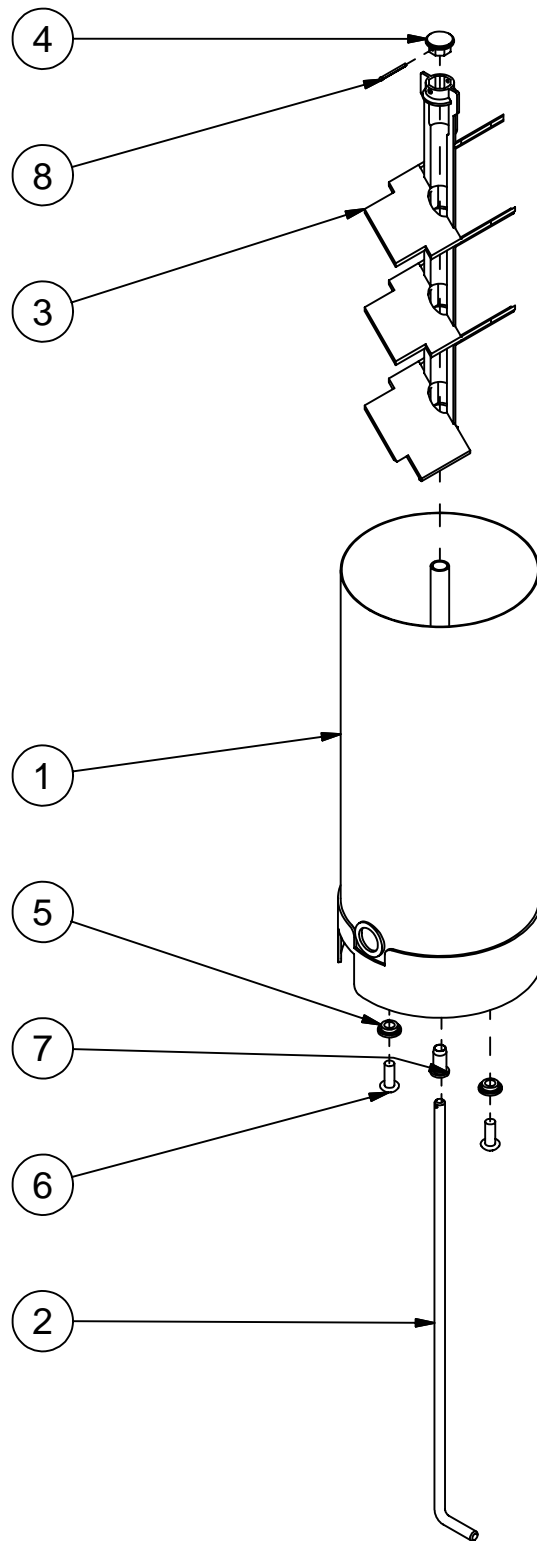
2.5L STAINLESS STEEL CANISTER ASSEMBLIES

ITEM	DESCRIPTION	PART NUMBER
	CANISTER ASSY-S/S 2.5L-INNER	10150
1	CANISTER-S/S 2.5L-INNER	10154
2	CRANKSHAFT-2.5L S/S L NECK	10180
3	STIRRER-53P WHITE	3305
4	TOP CAP	9007
5	SPACER BUSH-INNER RING CANISTER	10173
6	M/T-M6x16 PAN HD N/P	R0945
7	BUSH-CANISTER CRANKSHAFT	7498
8	PIN-SPLIT 1.6 x 20mm S/S	R0536
	CANISTER ASSY-S/S 2.5L-OUTER	10151
1	CANISTER-S/S 2.5L-OUTER	10155
2	CRANKSHAFT-2.5L S/S L NECK	10180
3	STIRRER-53P WHITE	3305
4	TOP CAP	9007
5	SPACER BUSH-INNER RING CANISTER	10173
6	M/T-M6x16 PAN HD N/P	R0945
7	BUSH-CANISTER CRANKSHAFT	7498
8	PIN-SPLIT 1.6 x 20mm S/S	R0536
	2.5L CANISTER LIDS	
9	LID-2.5L CANISTER-CLEAR	7517C
10	LID-2.5L CANISTER-SEALING BLACK	7776

2.5L STAINLESS STEEL CANISTER ASSEMBLIES



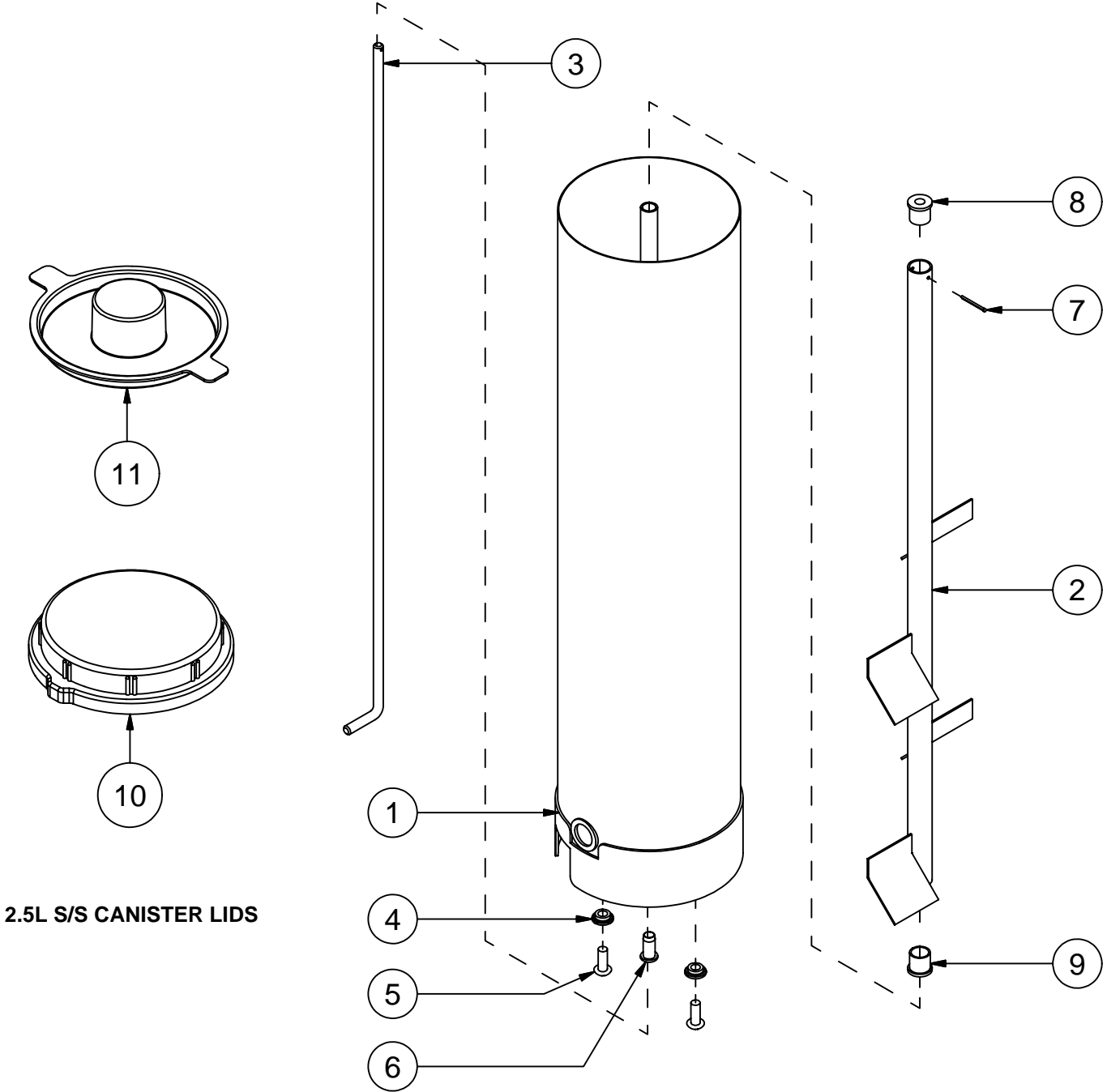
2.5L S/S CANISTER LIDS



5.0L STAINLESS STEEL CANISTER ASSEMBLIES

ITEM	DESCRIPTION	PART NUMBER
	CANISTER ASSY-S/S 5.0L-INNER	10152
1	CANISTER-S/S 5.0L-INNER	10156
3	CRANKSHAFT-5.0L S/S L NECK	10181
2	STIRRER-5.0L S/S	10182
8	BUSH-STIRRER UPPER	8450
9	BUSH-STIRRER LOWER	8451
6	BUSH-CANISTER CRANKSHAFT	7498
7	PIN-SPLIT 1.6 x 20mm S/S	R0536
5	M/T-M6x16 PAN HD N/P	R0945
4	SPACER BUSH-INNER RING CANISTER	10173
	CANISTER ASSY-S/S 5.0L-OUTER	10153
1	CANISTER-S/S 5.0L-OUTER	10157
3	CRANKSHAFT-5.0L S/S L NECK	10181
2	STIRRER-5.0L S/S	10182
8	BUSH-STIRRER UPPER	8450
9	BUSH-STIRRER LOWER	8451
6	BUSH-CANISTER CRANKSHAFT	7498
7	PIN-SPLIT 1.6 x 20mm S/S	R0536
5	M/T-M6x16 PAN HD N/P	R0945
	CANISTER LIDS	
10	LID-2.5L CANISTER-CLEAR	7517C
11	LID-2.5L CANISTER-SEALING BLACK	7776

5.0L STAINLESS STEEL CANISTER ASSEMBLIES

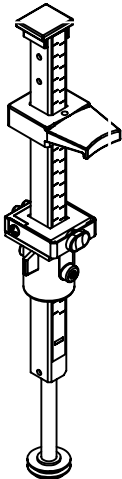


2.5L S/S CANISTER LIDS

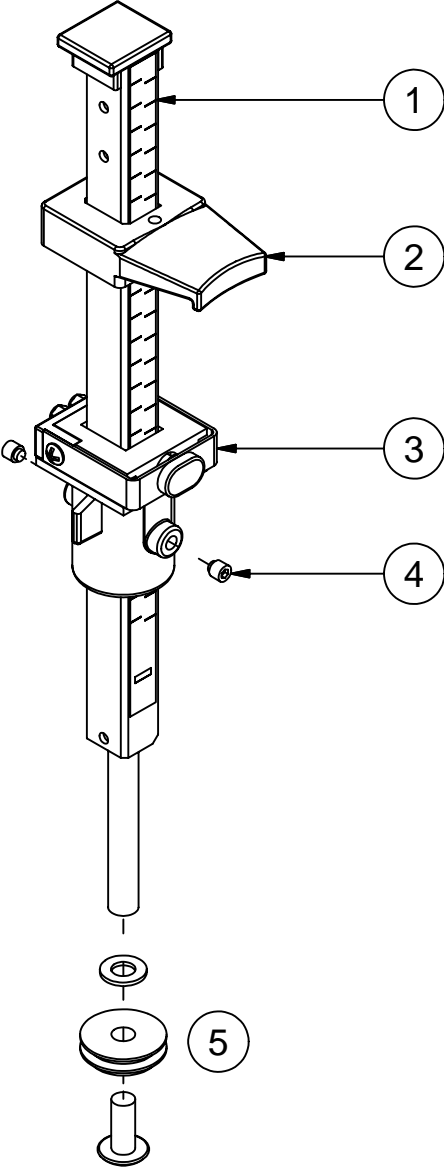
22XC PLUNGER ASSEMBLY

ITEM	DESCRIPTION	PART NUMBER
1	GAUGE ASSEMBLY (as shown on gauge)	
	PLUNGER ASSY-22XC-STANDARD	3814
2	HANDLE/SHAFT ASSEMBLY	3870
3	ENDCAP ASSEMBLY	3839
4	GRUBSCREW	R400
5	PISTON ASSEMBLY	3746
	PLUNGER ASSY-22XC-LONG	3835
2	HANDLE/SHAFT ASSEMBLY	3871
3	ENDCAP ASSEMBLY	3839
4	GRUBSCREW	R400
5	PISTON ASSEMBLY	3746

22XC PLUNGER ASSEMBLY



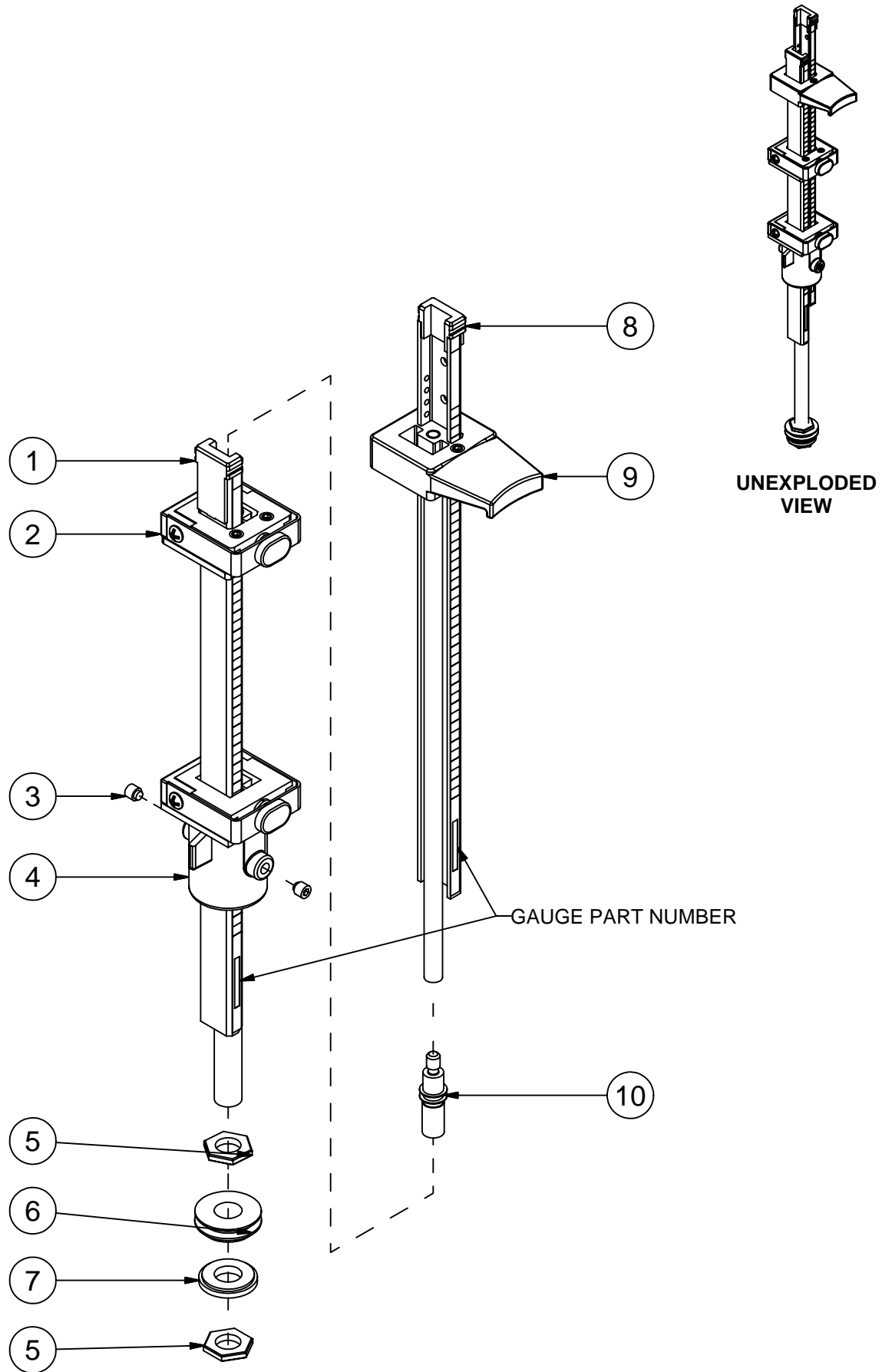
UNEXPLODED VIEW



22XD/XE PLUNGER ASSEMBLY

ITEM	DESCRIPTION	PART NUMBER	
1	INNER GAUGE ASSEMBLY (as shown on gauge)		
8	OUTER GAUGE ASSEMBLY (as shown on gauge)		
		XD	XE (MICRO)
	PLUNGER ASSY-22X-STANDARD	03816	08162
2	HANDLE SHAFT ASSEMBLY-OUTER	3867	8161
3	GRUBSCREW (included with 4)	R400	R400
4	ENDCAP ASSEMBLY	3841	3841
5	PISTON NUT	3766	3766
6	OUTER PISTON	3758	3758
7	WASHER GUIDE-OUTER PISTON	8729	8729
9	HANDLE SHAFT ASSEMBLY-INNER	3843	3843
10	INNER PISTON	3755	3755
	PLUNGER ASSY-22X-EXTRA LONG	03836	08262
2	HANDLE SHAFT ASSEMBLY-OUTER	3868	8261
3	GRUBSCREW (included with 4)	R400	R400
4	ENDCAP ASSEMBLY	3841	3841
5	PISTON NUT	3766	3766
6	OUTER PISTON	3758	3758
7	WASHER GUIDE-OUTER PISTON	8729	8729
9	HANDLE SHAFT ASSEMBLY-INNER	3844	3844
10	INNER PISTON	3755	3755

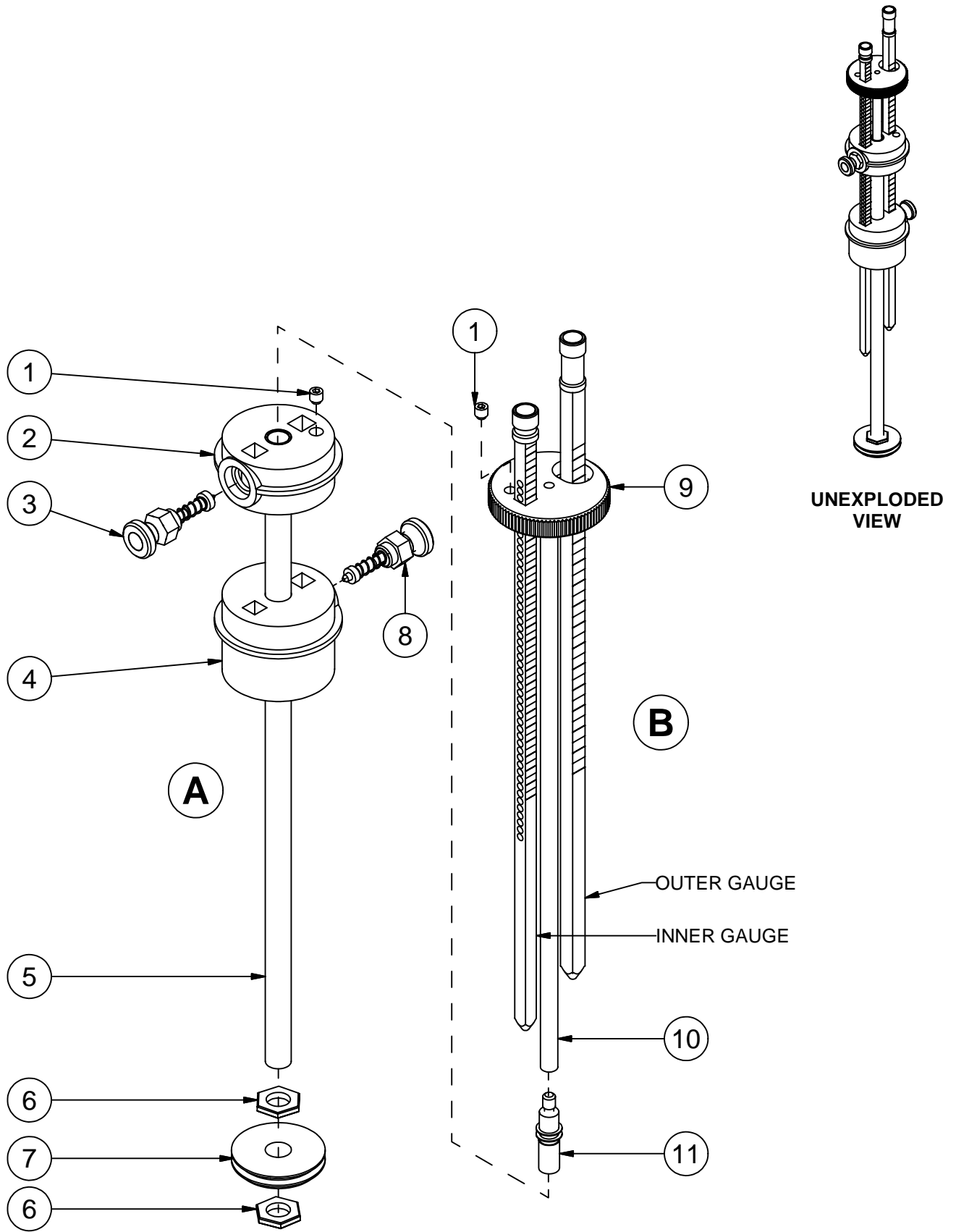
22XD/XE PLUNGER ASSEMBLIES



53XD/XE PLUNGER ASSEMBLIES

ITEM	DESCRIPTION	PART NUMBER	
		XD	XE (MICRO)
	53X PLUNGER ASSY	7062	08241
A	OUTER PLUNGER ASSEMBLY	3945	8242
1	GRUBSCREW	R400	R400
3	GAUGE PIN ASSY-RED	3947	8085
6	NUT	3766	3766
7	PISTON	3946	3946
8	GAUGE PIN ASSY-BLACK	11B	11B
B	INNER PLUNGER ASSEMBLY	3942	3942
9	HANDLE	3949	3949
10	SHAFT	3951	3951
11	PISTON	3755	3755
1	GRUBSCREW	R400	R400

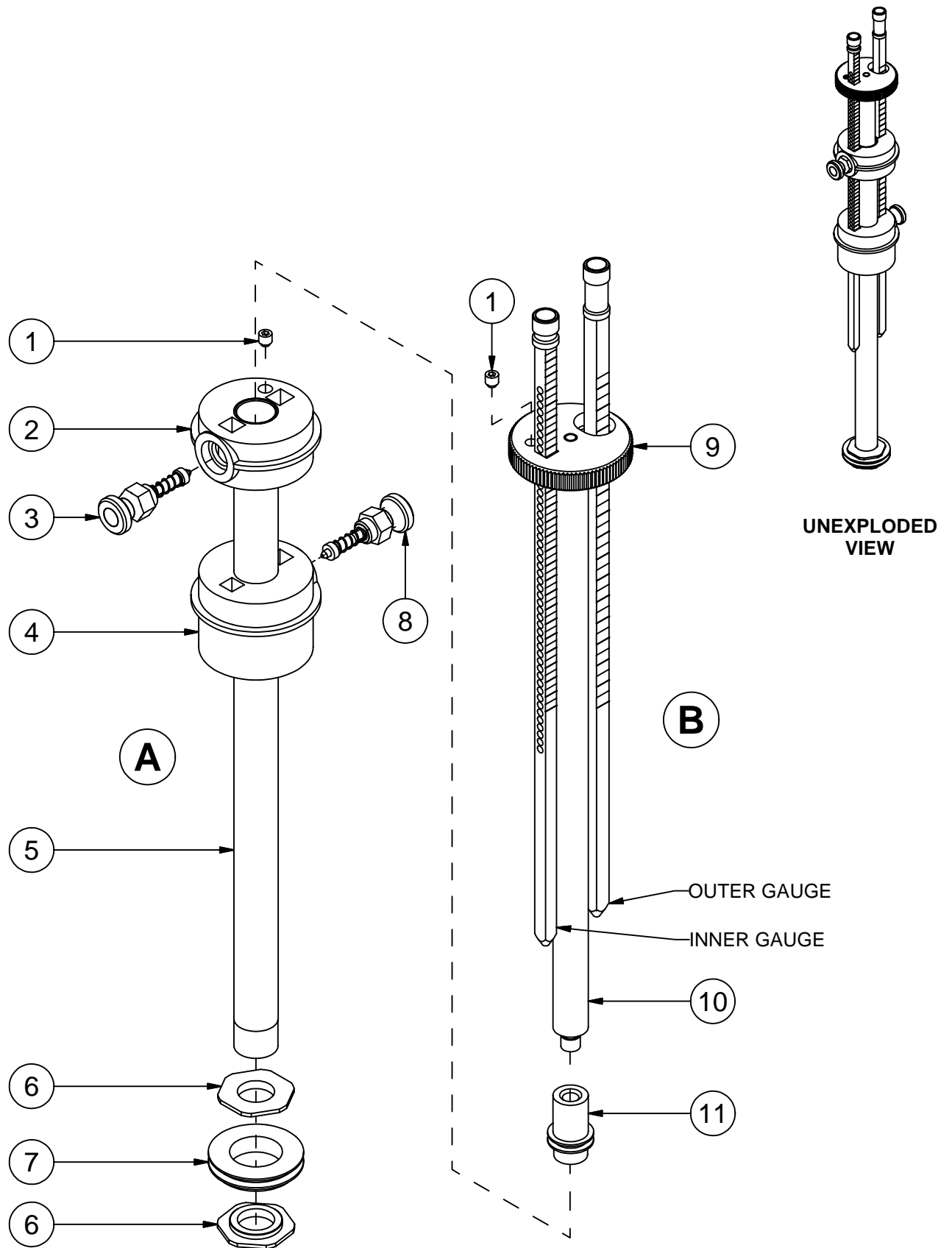
53XD/XE PLUNGER ASSEMBLIES



53XB PLUNGER ASSEMBLY

ITEM	DESCRIPTION	PART NUMBER
	PLUNGER ASSY-53XB	3429I
A	OUTER PLUNGER ASSEMBLY	3700
1	GRUBSCREW	R400
3	GAUGE PIN ASSY-RED	11R
6	NUT	3670
7	PISTON	3674
8	GAUGE PIN ASSY-BLACK	11B
B	INNER PLUNGER ASSEMBLY	7020
9	HANDLE	3949
10	SHAFT	8239
11	PISTON	3708
1	GRUBSCREW	R400

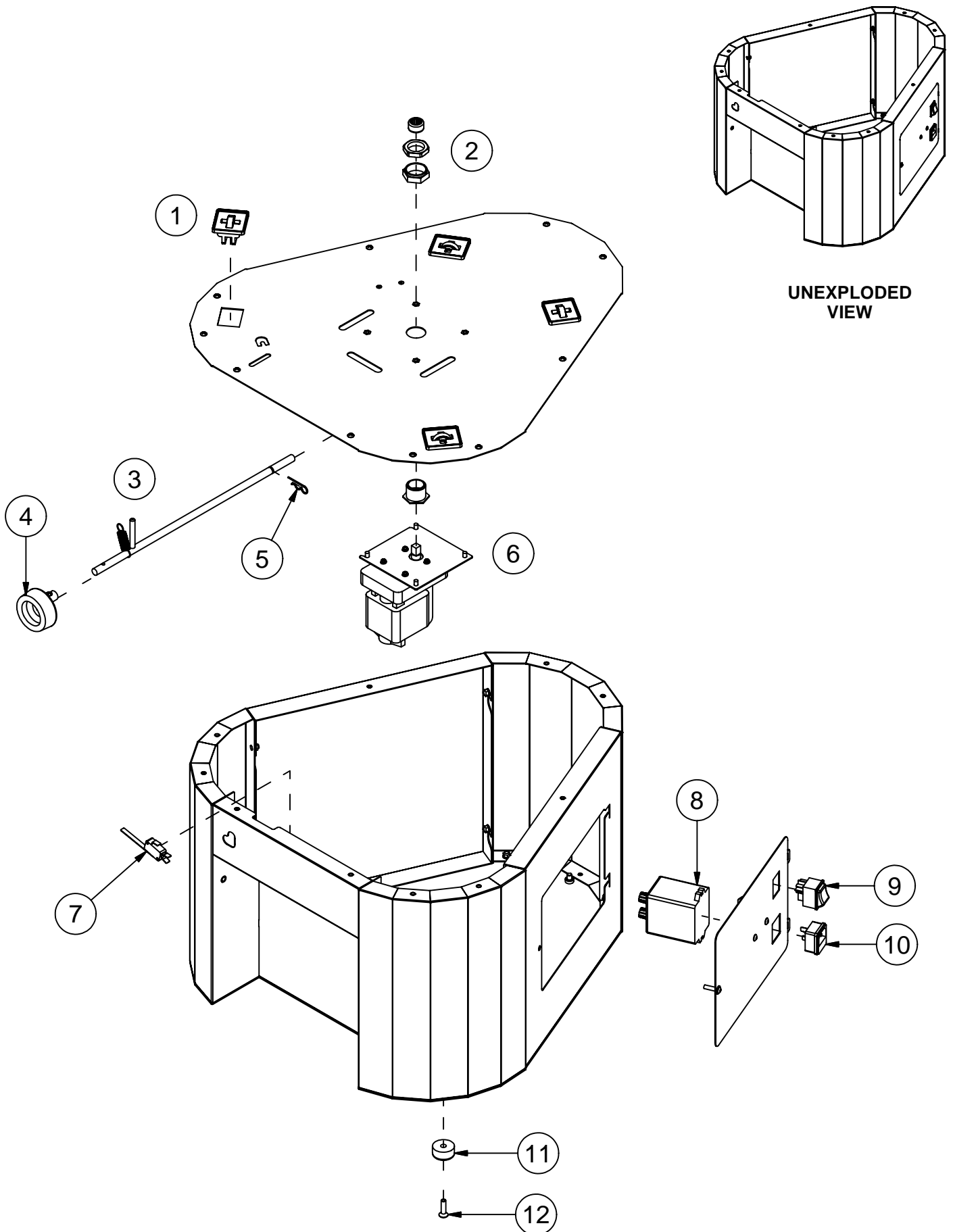
53XB PLUNGER ASSEMBLY



BENCH BASE ASSEMBLIES

ITEM	DESCRIPTION	PART NUMBER
1	ROLLER BEARING ASSEMBLY	10254
2	HOLLOW CENTRE BOLT ASSEMBLY	10255
3	DETENT LEVER AND HANDLE ASSEMBLY	10252
4	DETENT HANDLE ASSEMBLY	10253
5	R-CLIP 8-10mm	8212
6	ELECTRIC MOTOR ASSEMBLY	
	240V CW	10256
	240V CCW	10257
	110V CW	10258
	110V CCW	10259
7	LIMIT SWITCH	R0794
8	TIMER-TWIN LTT-ELECT	R0617
9	SWITCH-ILLUM ROCKER	R0762
10	AC FUSED INLET/IEC PLUG	R0950
11	FOOT-BENCH-RUBBER	R0544
12	M/T 6mmx20 CSK HD SOC	R0442

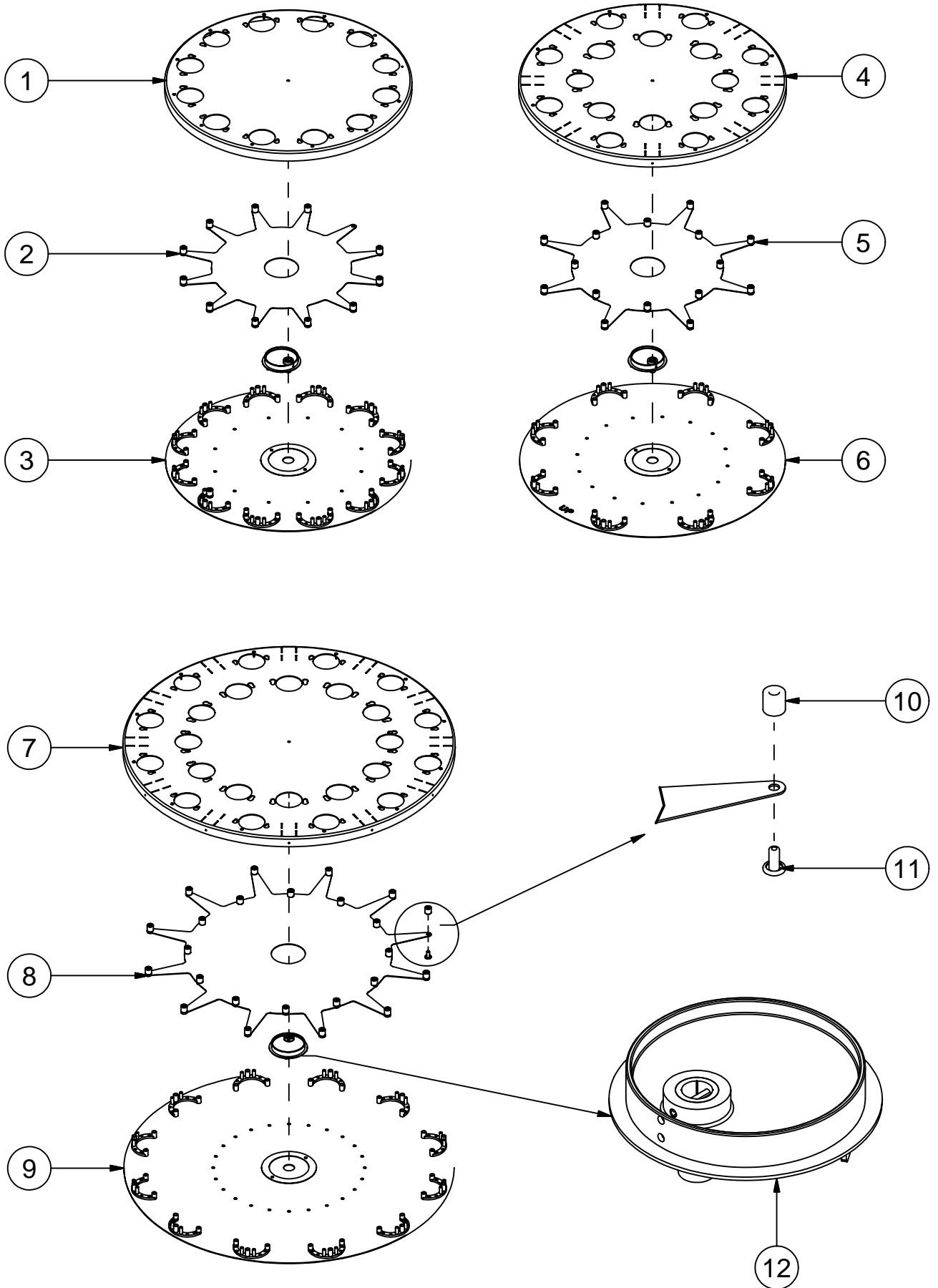
BENCH BASE ASSEMBLIES



DRIVE ASSEMBLIES

ITEM	DESCRIPTION	PART NUMBER
A		
1	TURNTABLE-12 CANISTER-TOP	09030
2	DRIVE PLATE AND BUSH ASSY-12 CAN	10263
3	TURNTABLE BASE AND SPACER ASSY-12 CAN	10264
B		
4	TURNTABLE-16 CANISTER-TOP	09010
5	DRIVE PLATE AND BUSH ASSY-16 CAN	10265
6	TURNTABLE BASE AND SPACER ASSY-16 CAN	10266
C		
7	TURNTABLE-24 CANISTER-TOP	09020
8	DRIVE PLATE AND BUSH ASSY-24 CAN	10267
9	TURNTABLE BASE AND SPACER ASSY-24 CAN	10268
10	DRIVE BUSH-TOP	19009
11	DRIVE BUSH-BOTTOM	19008
12	CAM ASSEMBLY	10196

DRIVE ASSEMBLIES



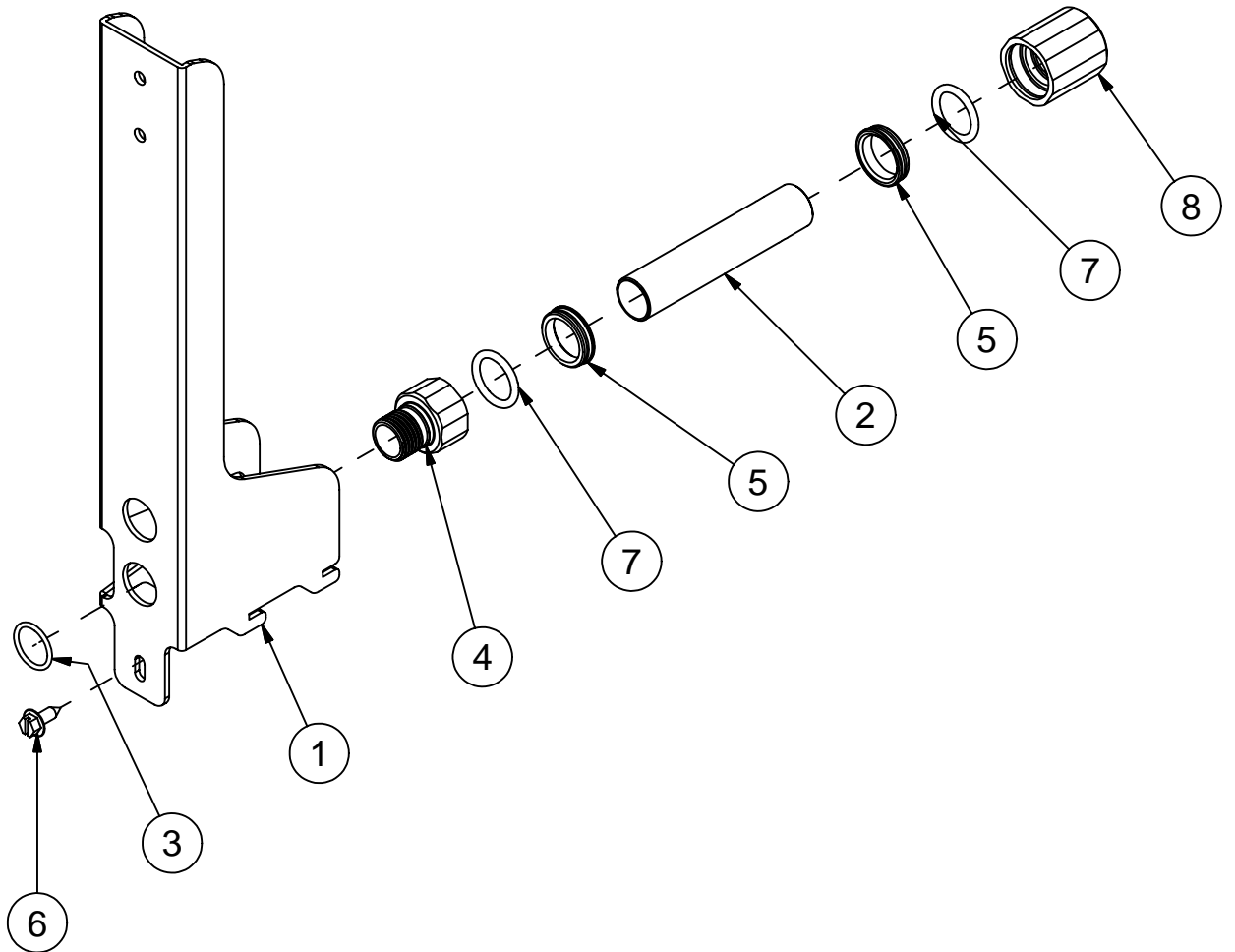
REMOTE BRACKET ASSEMBLIES

ITEM	DESCRIPTION	PART NUMBER
1	REMOTE PUMP BRACKET	09009
2	EXTENSION TUBE	
	22/24X-16	10241
	22/24X-24	10242
	53/56X-16	10244
	53/56X-24	10245
	S/S CAN-16	10247
	S/S CAN-24	10248
3	O-RING BS015 NITRILE	B015
4	BUSH-TM300 VALVE	1807800
5	CAP-TUBE BUSH	08820
6	8#x12 HEX WASHER FACED NEEDLE POINT SCREW	R0948
7	O-RING B614 EPDM	B614
8	BUSH-CANISTER EXTENSION-BM SII	10169

PLEASE NOTE

O-Rings available in Nitrile, EPDM, Viton and Silicon - please enquire for part numbers.

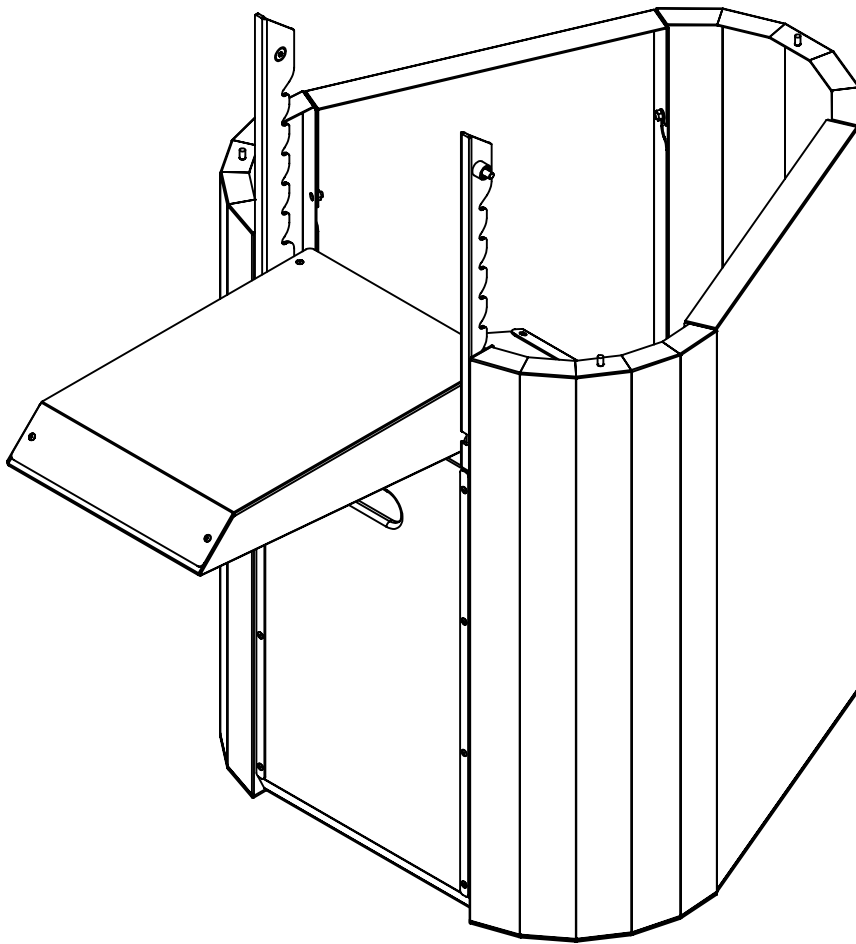
REMOTE BRACKET ASSEMBLIES



FLOOR STAND ASSEMBLY

ITEM	DESCRIPTION	PART NUMBER
	FLOOR STAND ASSEMBLY	10250

FLOOR STAND ASSEMBLY



TO CONVERT BENCH MODEL TO FLOOR STAND