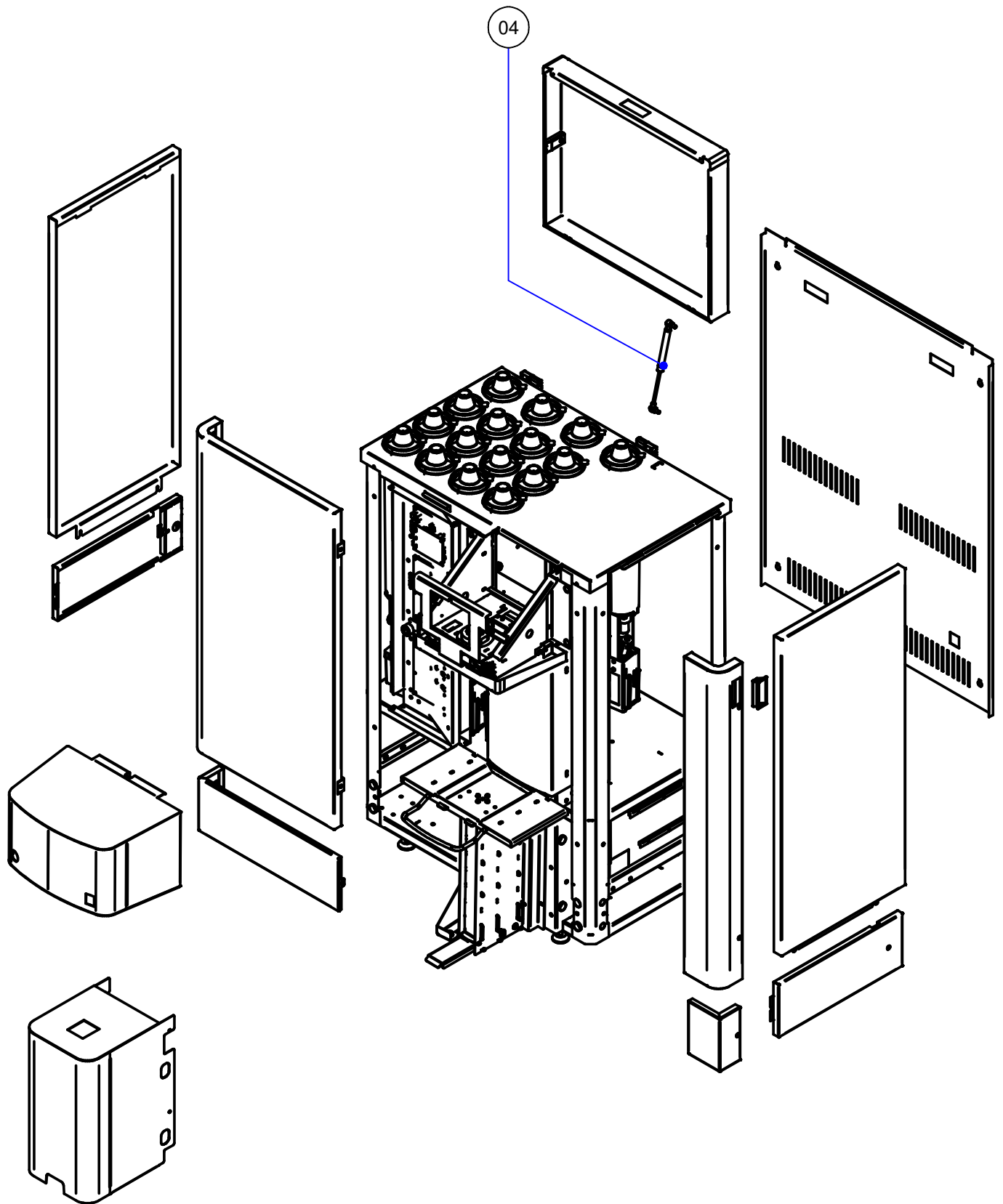




AT550

Sparepartbook

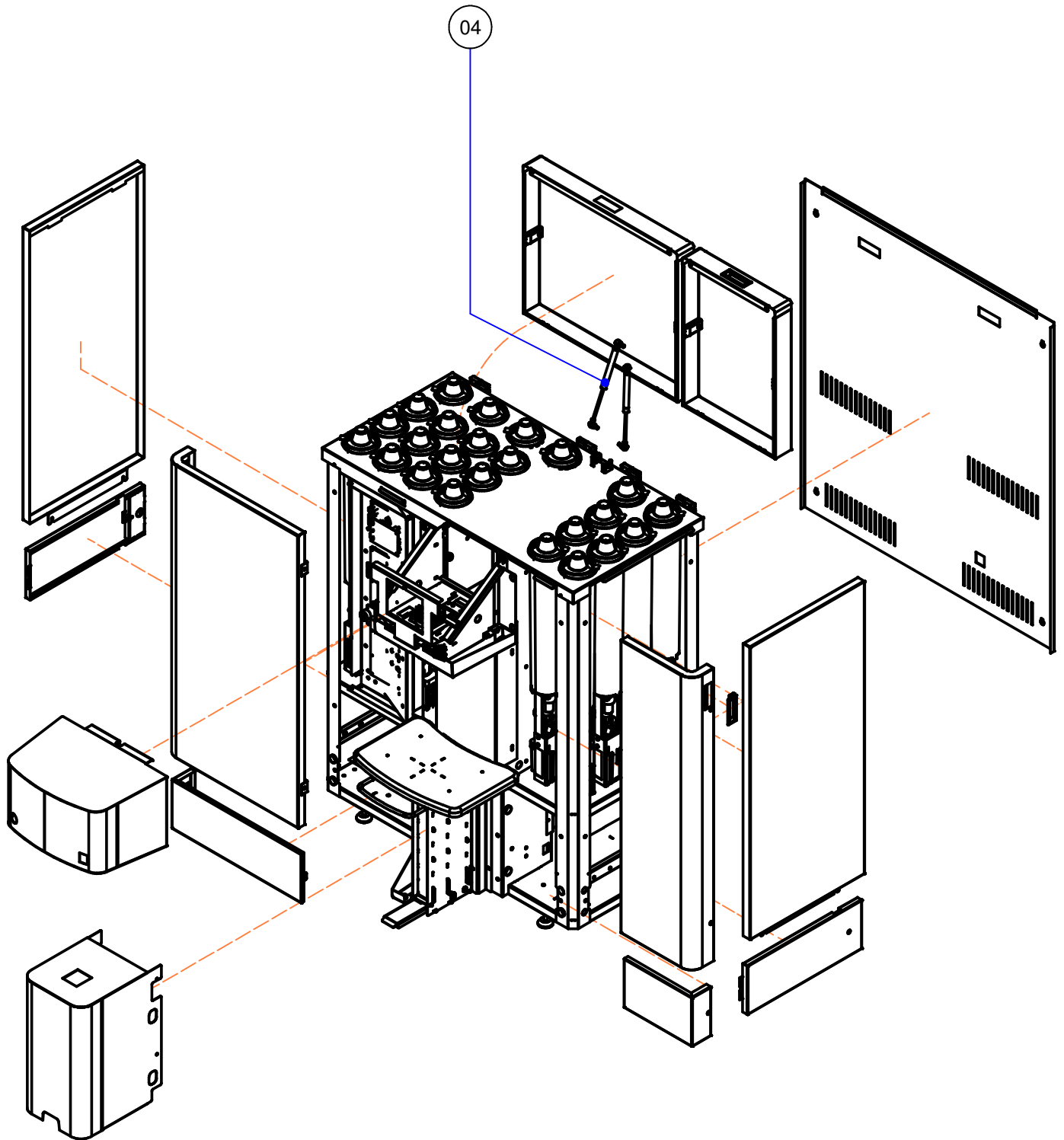
5600 (16c)



Spareparts List

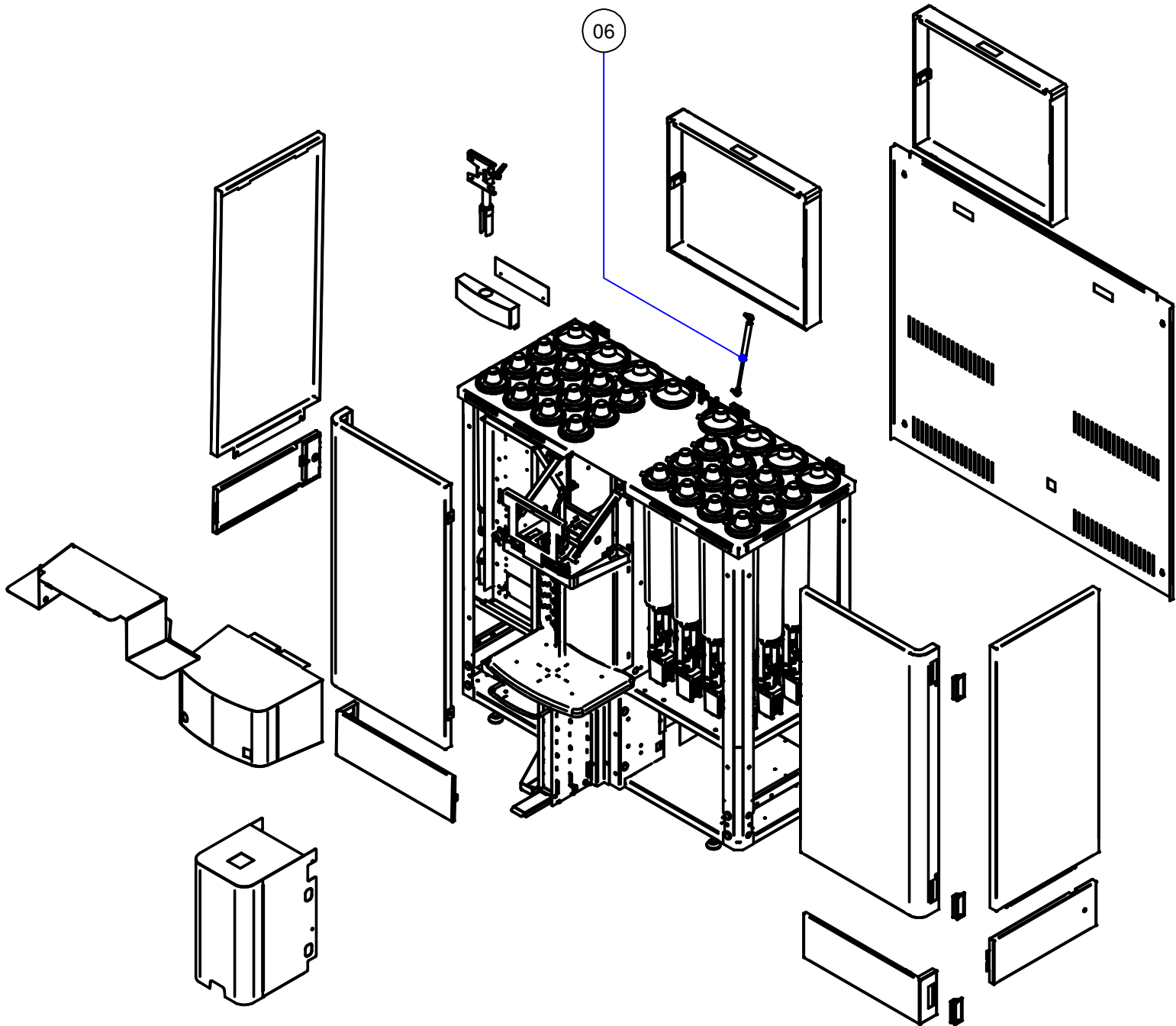
ITEM	SP NUMBER	DESCRIPTION	REMARKS	QTY
04	1112080-SP	Absorber,shock,gas,Set,150N		1

5601 (24)



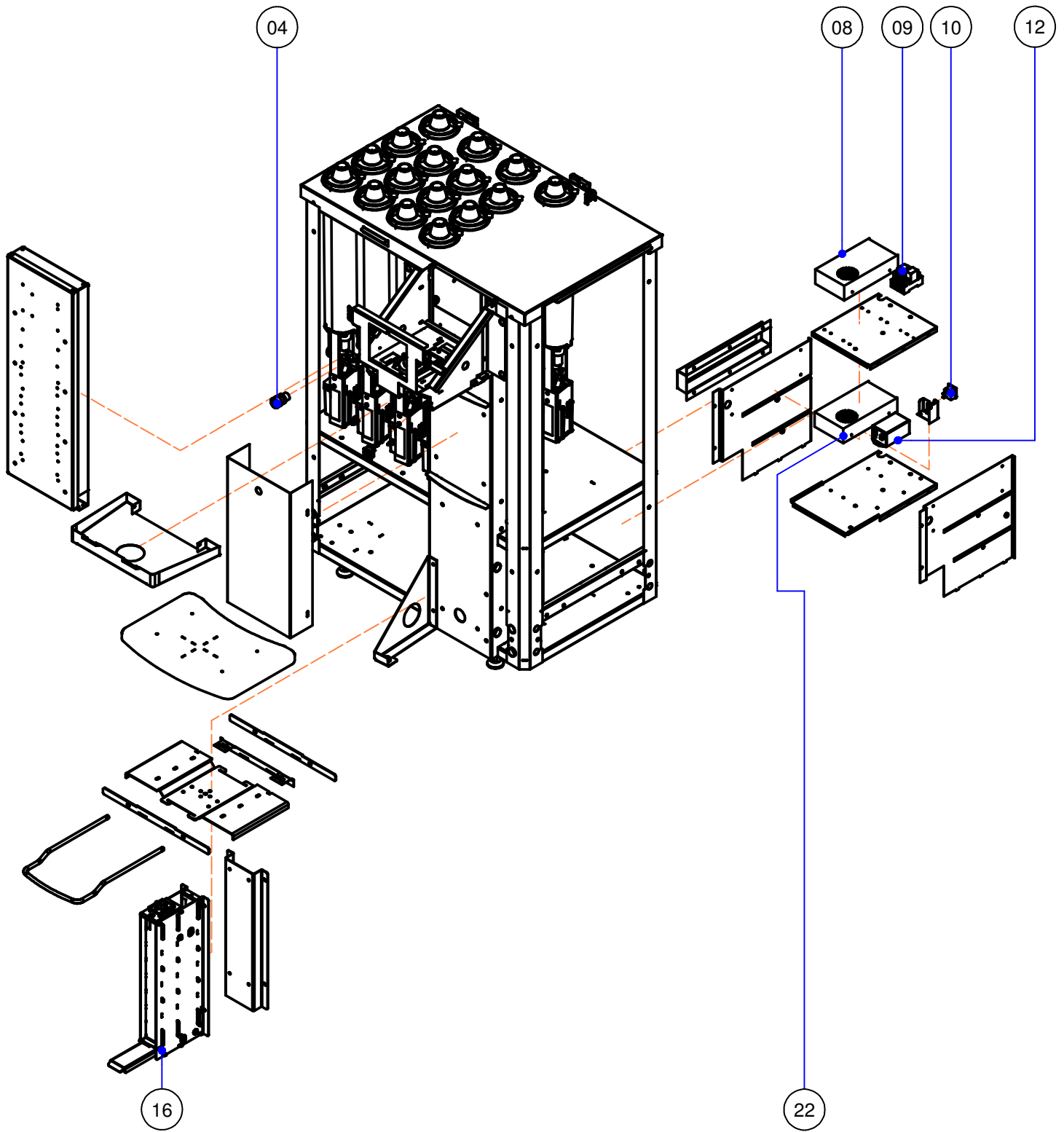
Spareparts List				
ITEM	SP NUMBER	DESCRIPTION	REMARKS	QTY
04	1112080-SP	Absorber,shock,gas,Set,150N		2

5602 (32c)



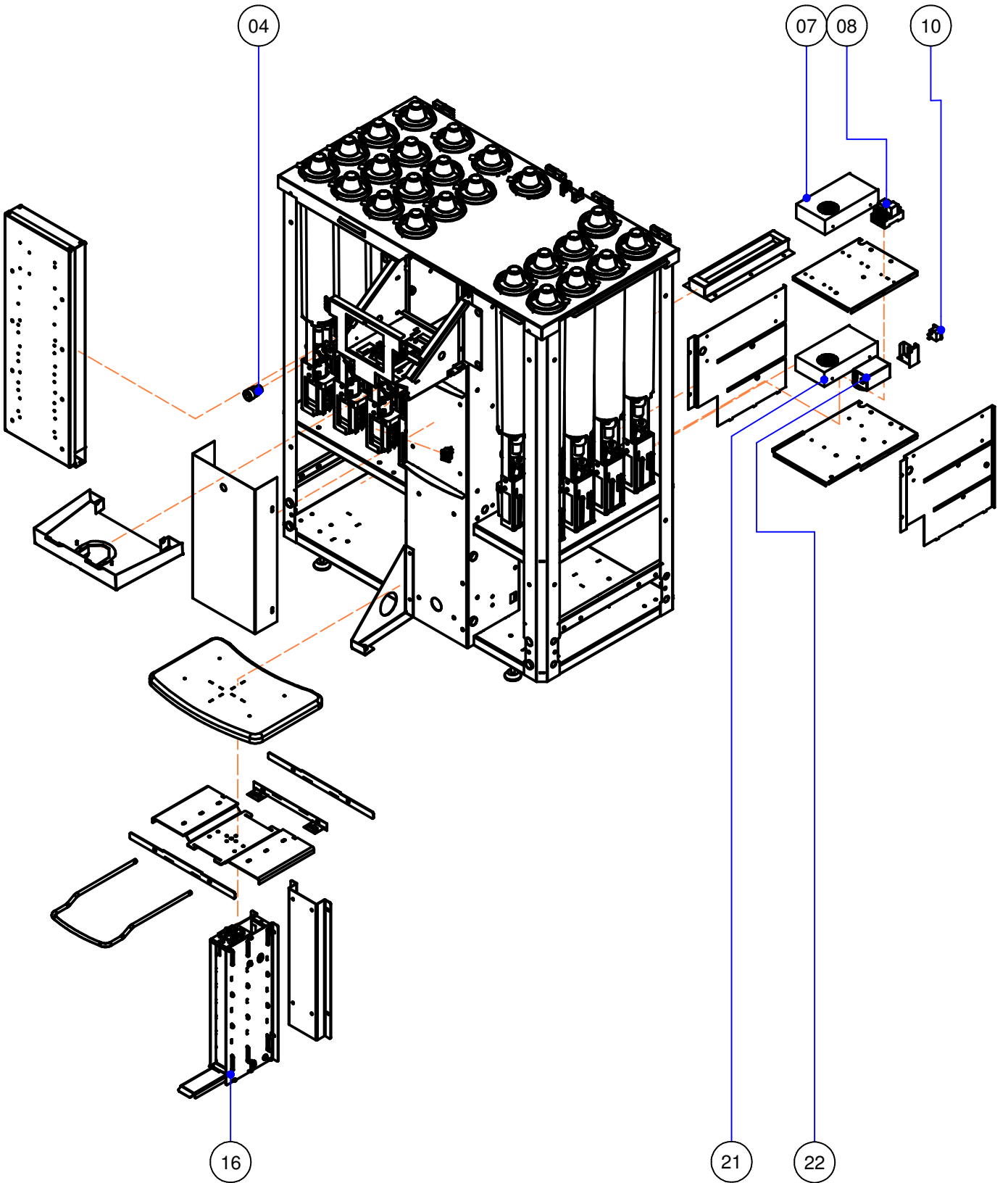
Spareparts List				
ITEM	SP NUMBER	DESCRIPTION	REMARKS	QTY
06	1112080-SP	Absorber,shock,gas,Set,150N		2

5610 (16c)



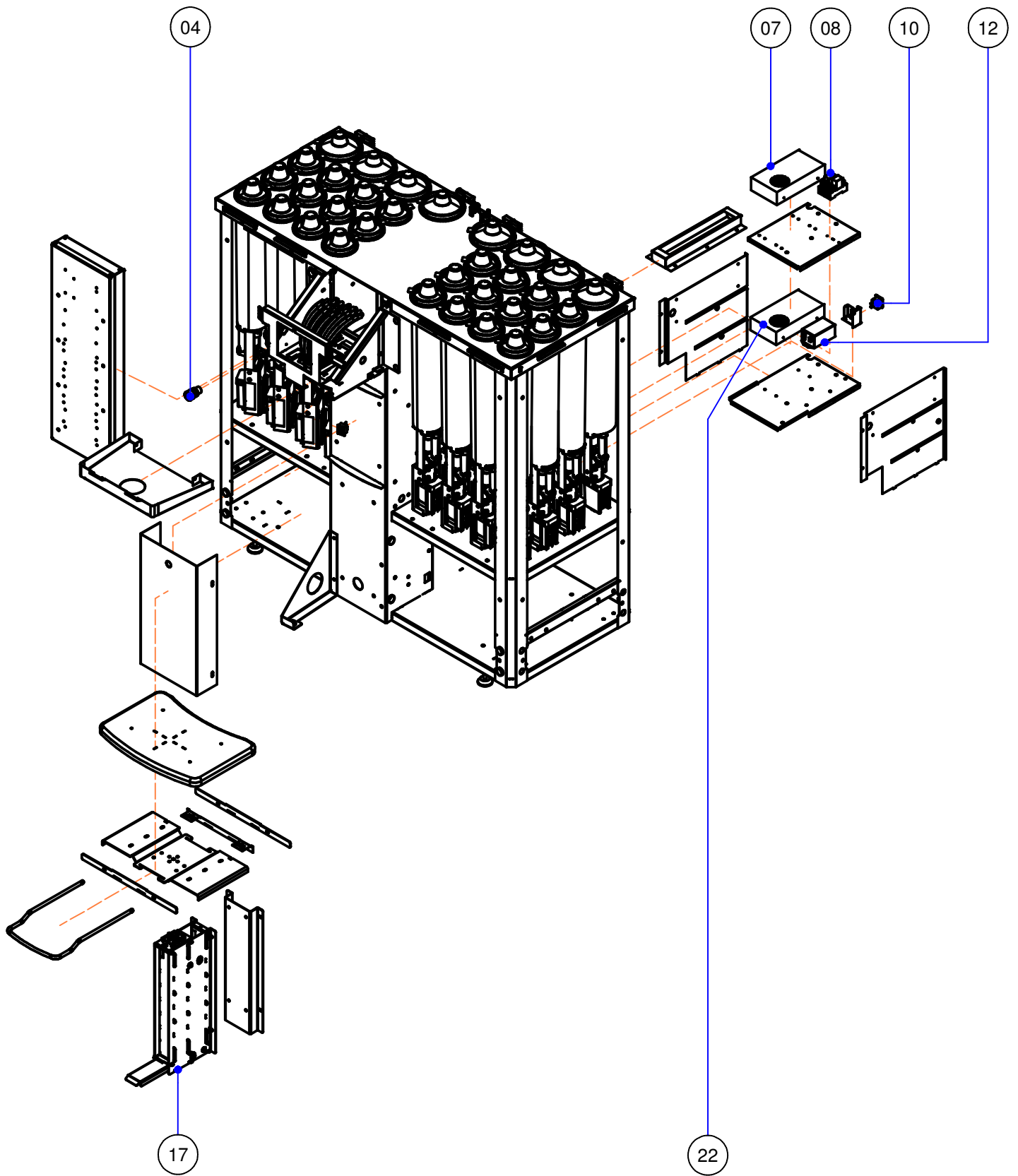
Spareparts List				
ITEM	SP NUMBER	DESCRIPTION	REMARKS	QTY
04	1862235-SP	Emergency,switch		1
08	1864001-SP	Powersupply,SPS-210-24		1
09	1870094-SP	Relay,24VDC,5A,BTR274,HAND/LED		2
09	1870095-SP	Socket,relay,DIN,for BTR274		2
10	1862239-SP	Net-entry,snap fit,disp2002		1
12	1862546-SP	filter,SO/SK,6A		1
16	1863271-SP	Cantable assy, TM/ HAs/ ETm		1
22	1863891-SP	Power supply,48VDC 300W,SC-48		1

5611



Spareparts List				
ITEM	SP NUMBER	DESCRIPTION	REMARKS	QTY
04	1862235-SP	Emergency,switch		1
07	1864001-SP	Powersupply,SPS-210-24		1
08	1870094-SP	Relay,24VDC,5A,BTR274,HAND/LED		2
10	1862239-SP	Net-entry,snap fit,disp2002		1
10	1870095-SP	Socket,relay,DIN,for BTR274		2
16	1863271-SP	Cantable assy, TM/ HAs/ ETm		1
21	1863891-SP	Power supply,48VDC 300W,SC-48		1
22	1862546-SP	filter,SO/SK,6A		1

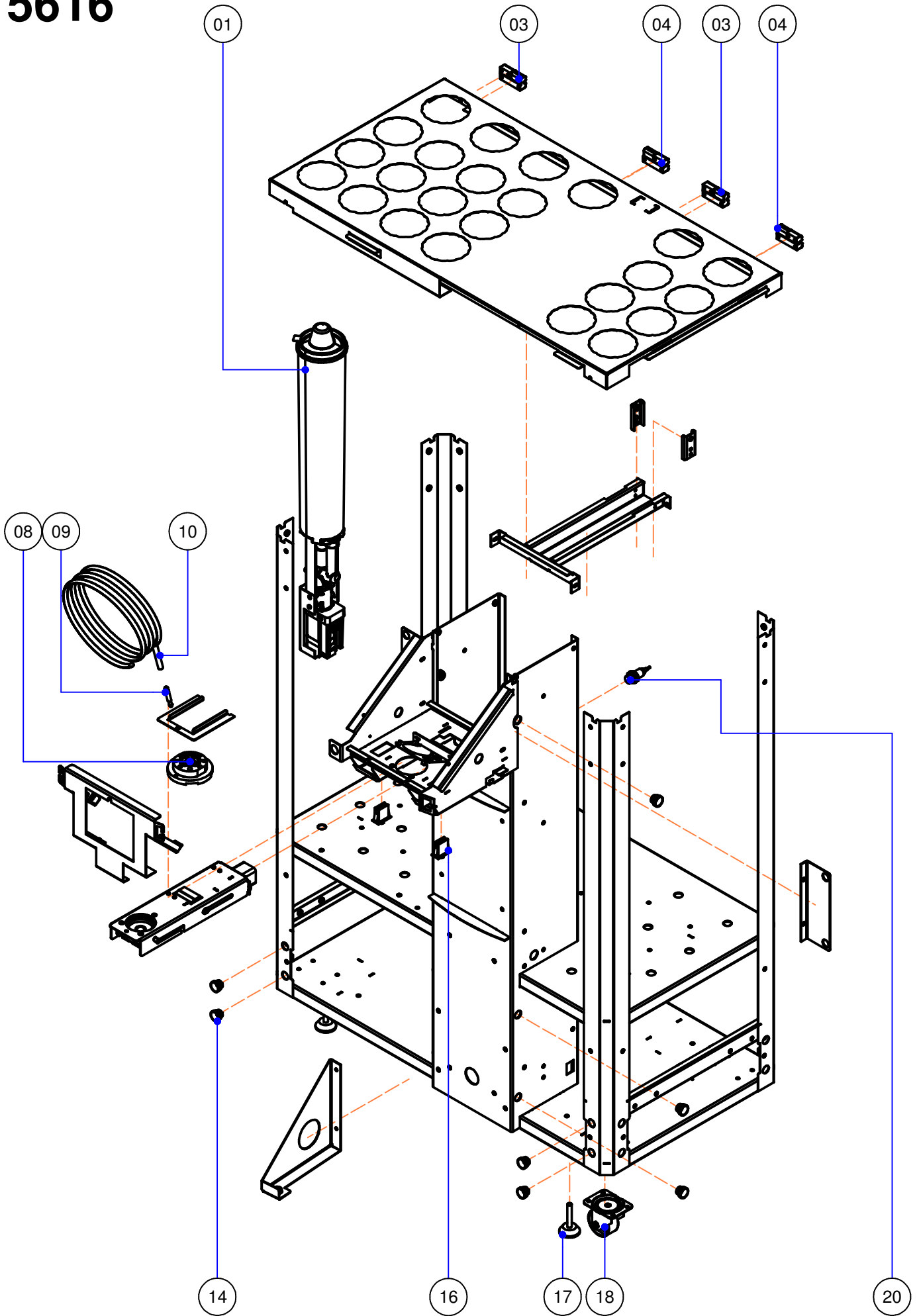
5612



Spareparts List				
ITEM	SP NUMBER	DESCRIPTION	REMARKS	QTY
04	1862235-SP	Emergency,switch		1
07	1864001-SP	Powersupply,SPS-210-24		1
08	1870094-SP	Relay,24VDC,5A,BTR274,HAND/LED		2
08	1870095-SP	Socket,relay,DIN,for BTR274		2
10	1862239-SP	Net-entry,snap fit,disp2002		1
12	1862546-SP	filter,SO/SK,6A		1
17	1863271-SP	Cantable assy, TM/ HAs/ ETm		1
22	1863891-SP	Power supply,48VDC 300W,SC-48		1

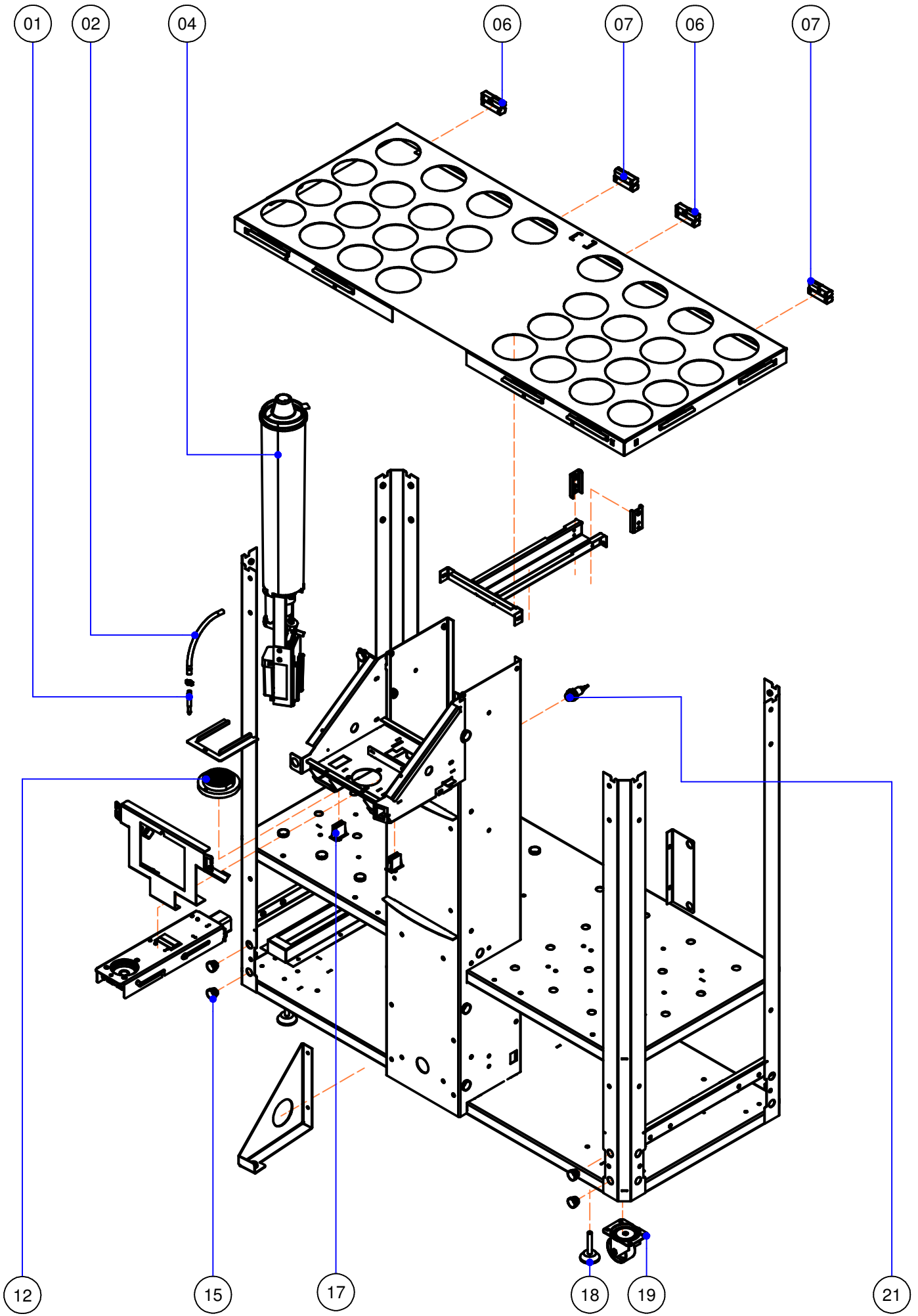
Spareparts List				
ITEM	SP NUMBER	DESCRIPTION	REMARKS	QTY
01	34010-SP	Assy,canister,3ltr-BS,AT550		16
09	1813678-SP	Nozzle,NH,POM,AT550		1
10	1863933-SP	Tube,nylon,10x8 (per mtr)		1
11	1814049-SP	Manifold,NH-16,AT550		1
14	1863898-SP	Coupling,snaplock,Ø8,plate,4x		10
16	1862231-SP	Switch,D2D-1102		2
17	1808750-SP	Foot,adjustable,M10x60,4pcs		2
18	1110340-SP	Wheel,swiveling,set 4 pcs		4
20	1863881-SP	Can sensor,assy,AT550		1
	1863613-SP	Hinge,type-A&B,socket,SET		1

5616



Spareparts List				
ITEM	SP NUMBER	DESCRIPTION	REMARKS	QTY
01	34010-SP	Assy,canister,3ltr-BS,AT550		24
08	1814050-SP	Manifold,NH-24,AT550		1
09	1813678-SP	Nozzle,NH,POM,AT550		2
10	1863933-SP	Tube,nylon,10x8 (per mtr)		1
14	1863898-SP	Coupling,snaplock,Ø8,plate,4x		10
16	1862231-SP	Switch,D2D-1102		2
17	1808750-SP	Foot,adjustable,M10x60,4pcs		2
18	1110340-SP	Wheel,swiveling,set 4 pcs		4
20	1863284-SP	Sensor 6,tablepos.HA150/HA		1

5617



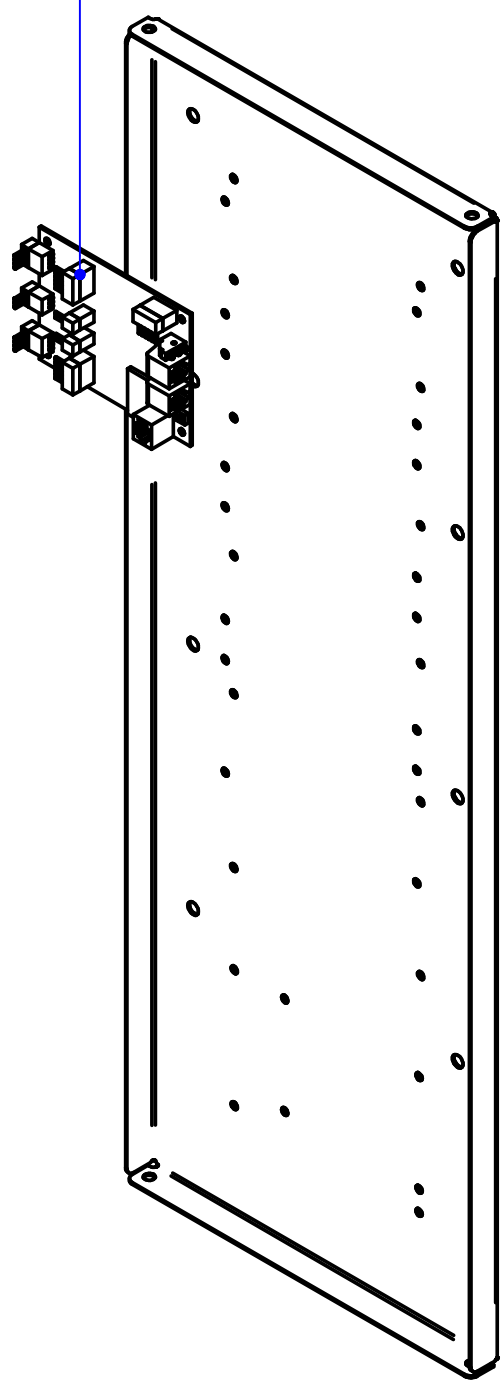
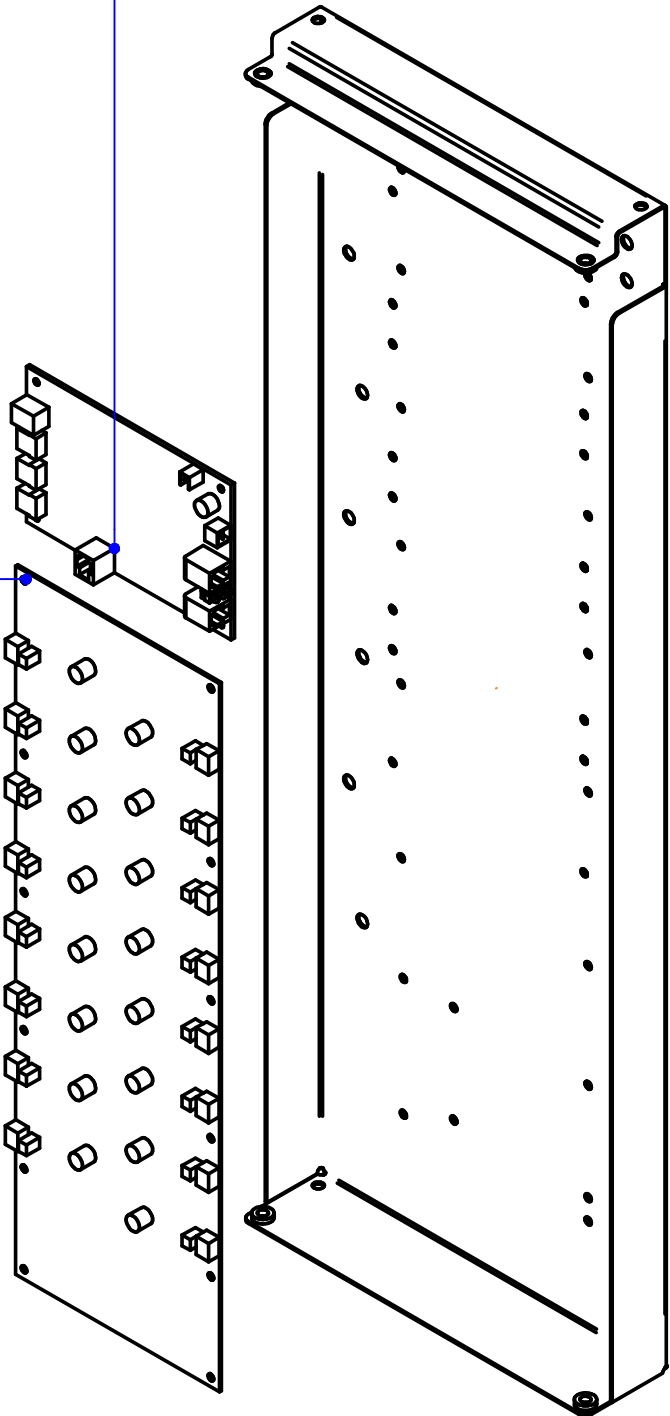
Spareparts List				
ITEM	SP NUMBER	DESCRIPTION	REMARKS	QTY
01	1813679-SP	Nozzle,NH,SSt,AT550		1
02	1863933-SP	Tube,nylon,10x8 (per mtr)		1
04	34010-SP	Assy,canister,3ltr-BS,AT550		24
12	1813677-SP	Manifold,NH-32,AT550		1
15	1863898-SP	Coupling,snaplock,Ø8,plate,4x		19
17	1862231-SP	Switch,D2D-1102		2
18	1808750-SP	Foot,adjustable,M10x60,4pcs		2
19	1110340-SP	Wheel,swiveling,set 4 pcs		4
21	1863284-SP	Sensor 6,tablepos.HA150/HA		1

5620

01

02

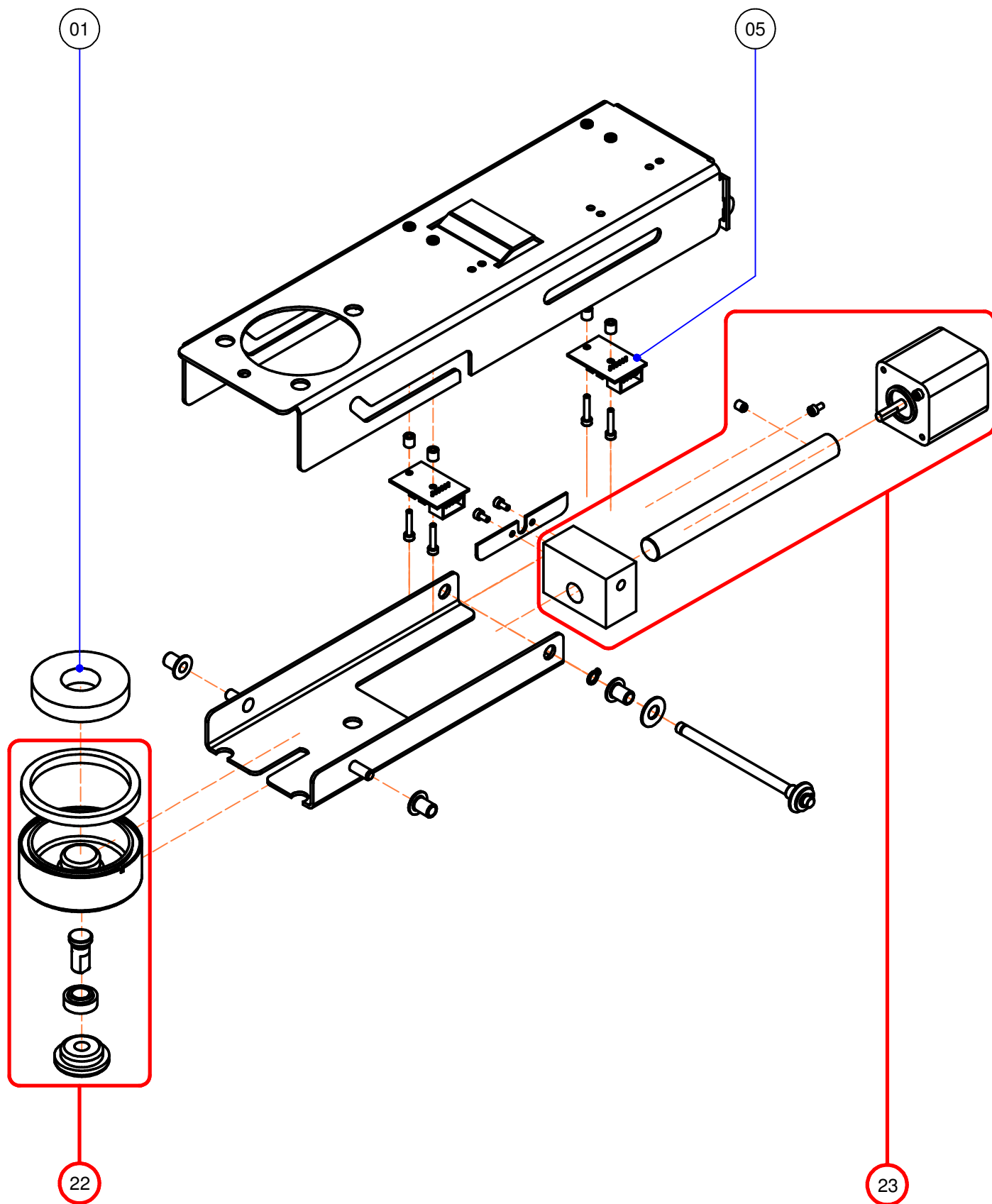
04



Spareparts List

ITEM	SP NUMBER	DESCRIPTION	REMARKS	QTY
01	87132828RH-SP	Stepdrive,med.curr.,16ch,AT550		1
02	87129350RH-SP	Board,dipense coordinate,AT550		1
04	87129252RH-SP	Step drive,dual,Low curr		1

5630



Parts List				
ITEM	SP NUMBER	DESCRIPTION	REMARKS	QTY
01	1863911-SP	Felt,NC,AT550(25 pieces)		1
05	87129583RH-SP	Board,home sensor,AT550		2
22	1813674-SP	Cup,NC,assy,AT550		1
23	28811-SP	Stepper motor,assy,NC,AT550		1