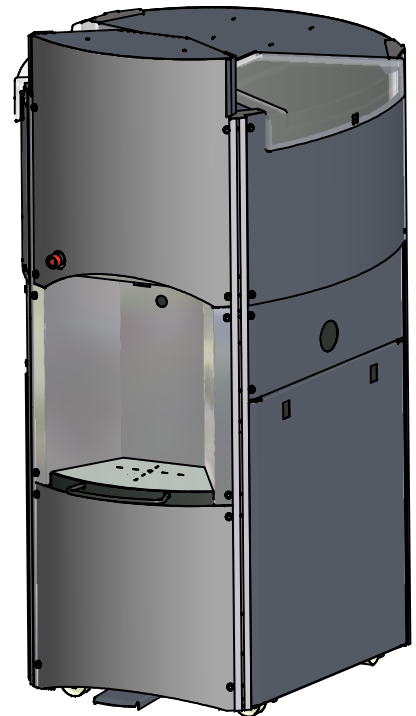
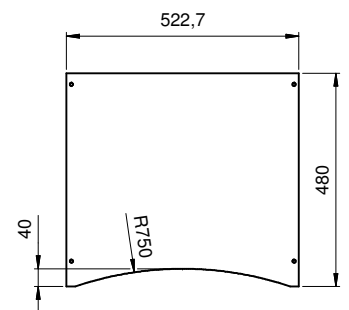
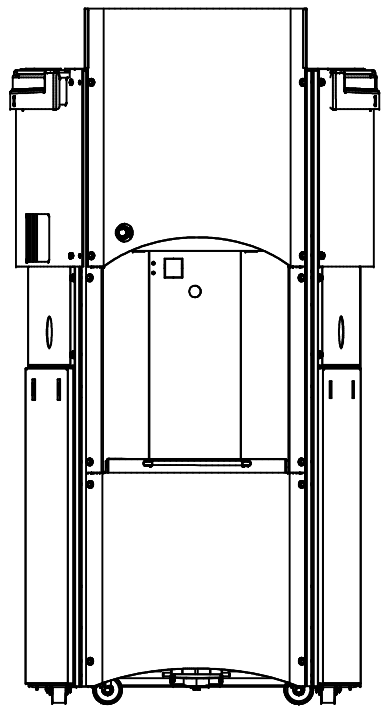
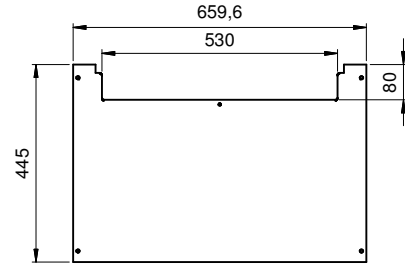
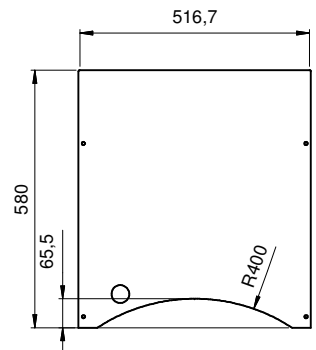
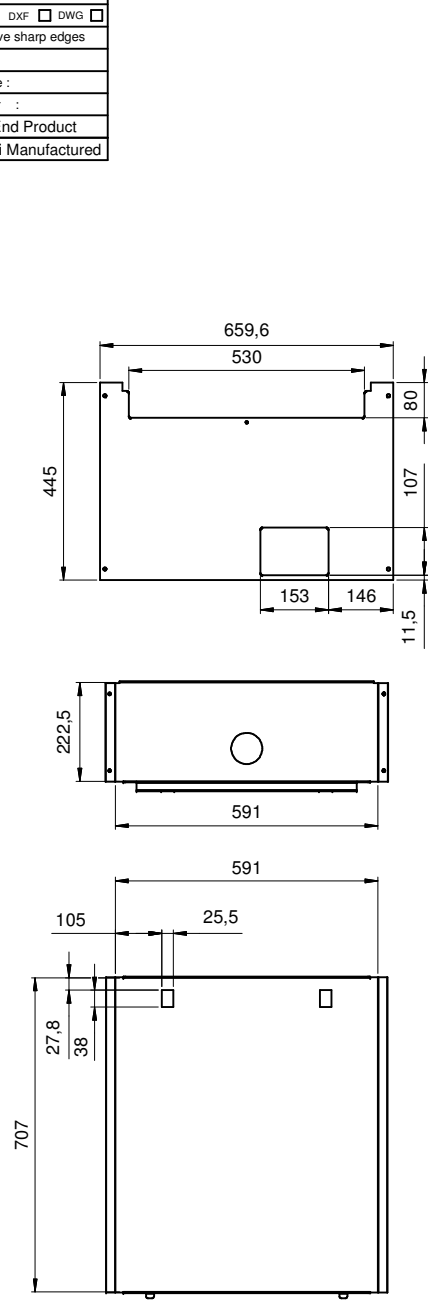


Info block (unless specified otherwise)
PDF <input type="checkbox"/> DXF <input type="checkbox"/> DWG <input type="checkbox"/>
Remove sharp edges
Tool :
V - Die :
Colour :
End Product
Semi Manufactured

Rev.	Description	By	Date
------	-------------	----	------



ALL DIMS ACC. TO NEN-ISO 2768 M UNLESS OTHERWISE SPECIFIED	CONFIDENTIAL PROPRIETARY MATERIAL All design, reproduction, manufacturing, use & sales rights of items shown here on or of articles fabricated therefrom are expressly reserved by FAST & FLUID MANAGEMENT	DRAWING ACCORDING TO NEN-ISO 1101 NEN-ISO 406 NEN 3634	Projection 
0.5-6 ± 0.1 120-400 ± 0.5 6-30 ± 0.2 400-1000 ± 0.8 30-120 ± 0.3 1000-2000 ± 1.2	SHORTEST SIDE 50-120 ± 20' < 10 = 1' 120-400 = 10' 10-50 = 30' > 400 = 5'	Size: A2	Unit : mm
 <b>FAST &amp; FLUID MANAGEMENT</b> <b>THE NETHERLANDS</b> A Unit of IDEXX Corporation P.O. Box 220   2170 AE Sassenheim Hub van Doornweg 31   2173 KZ Sassenheim Telephone +31(0)252 240 800 Fax +31(0)252 240 880   www.fast-fluid.com		Project : TM300	Drawn :
		Dim. :	Material :
		Name: General sticker sizes	Partnr: <b>TM300</b>