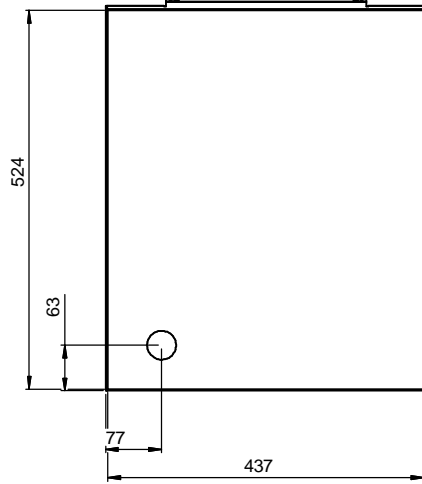


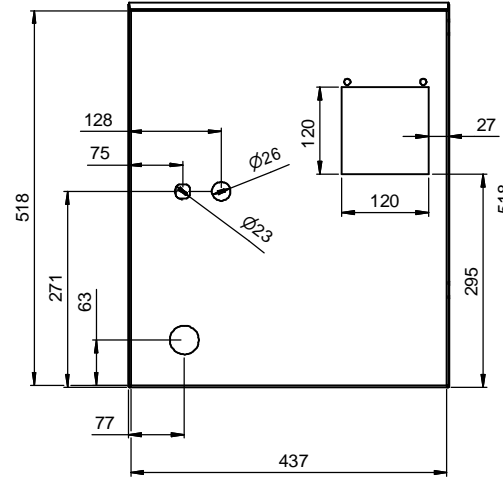
Info block (unless specified otherwise)
 PDF DXF DWG
 Remove sharpe edges
 Tool :
 V - Die :
 Colour :
 End Product
 Semi Manufactured

Rev.	Description	By	Date
------	-------------	----	------

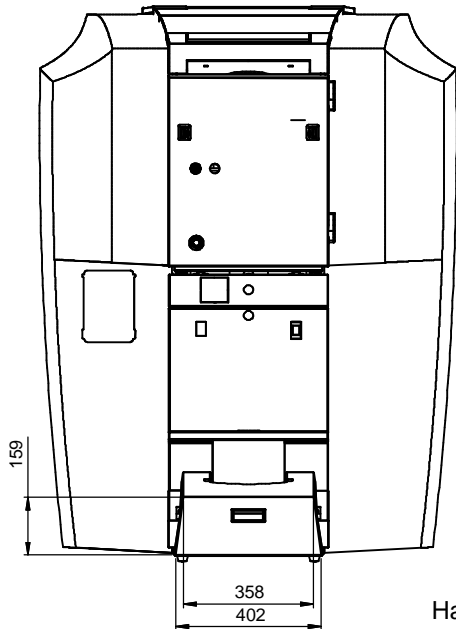
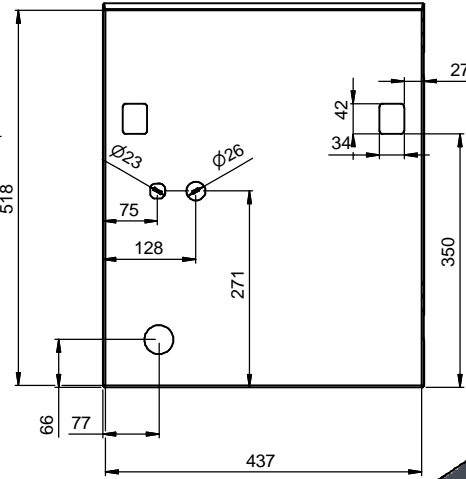
Ha 1.0 (Scale 1:5)



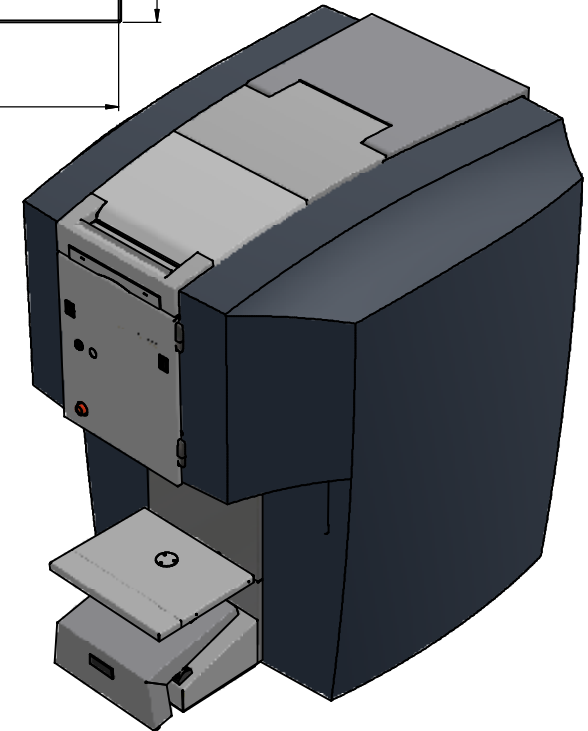
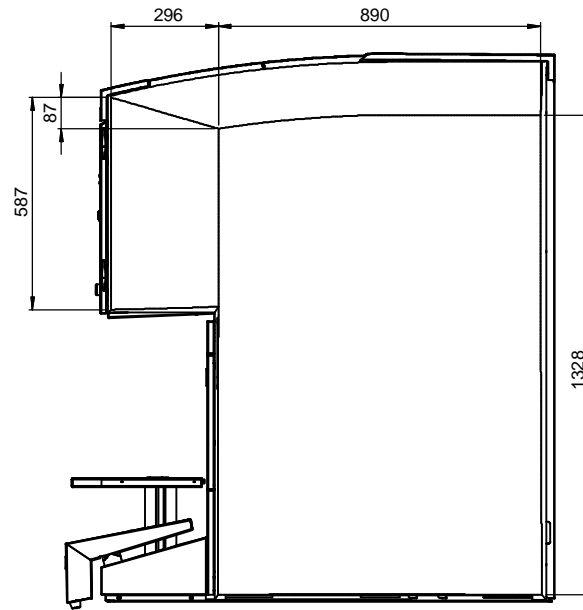
Ha 1.1 (Scale 1:5)



Ha 1.2 (Scale 1:5)



Ha 600 (Scale 1:10)



ALL DIMS ACC. TO NEN-ISO 2768 M UNLESS OTHERWISE SPECIFIED 0.5-6 ± 0.1 120-400 ± 0.5 SHORTEST SIDE 50-120 ± 20' 6-30 ± 0.2 400-1000 ± 0.8 < 10 ± 1' 120-400 ± 10' 30-120 ± 0.3 1000-2000 ± 1.2 10-50 ± 30' > 400 ± 5'	CONFIDENTIAL PROPRIETARY MATERIAL All design, reproduction, manufacturing, use & sales rights of items shown here on or of articles fabricated therefrom are expressly reserved by FAST & FLUID MANAGEMENT		DRAWING ACCORDING TO NEN-ISO 1101 NEN-ISO 406 NEN 3634	Projection
	Size: A2 Project : Dim. : Name: General sticker sizes	Unit : mm Drawn : RBoon Material :	Date : 8-10-2001 Assembly partnr: Partnr: HA600	

FAST & FLUID MANAGEMENT
 THE NETHERLANDS
 A Unit of IDEX Corporation
 P.O. Box 220 | 2170 AE Sassenheim
 Huis van Doorneweg 31 | 2171 KZ Sassenheim
 Telephone +31 (0)252 240 800
 Fax +31(0)252 240 880 | www.fast-fluid.com