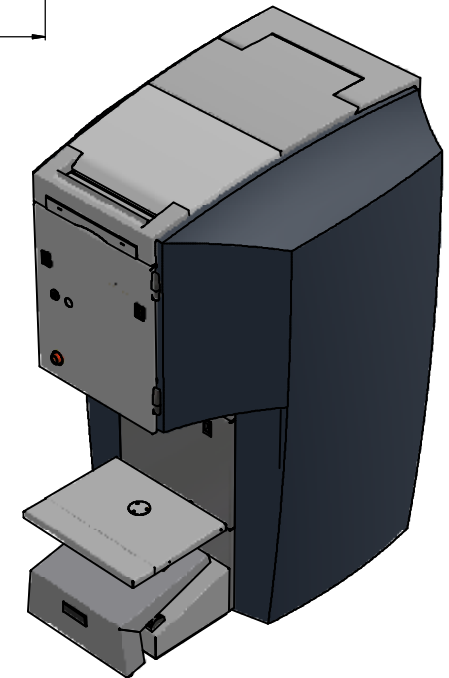
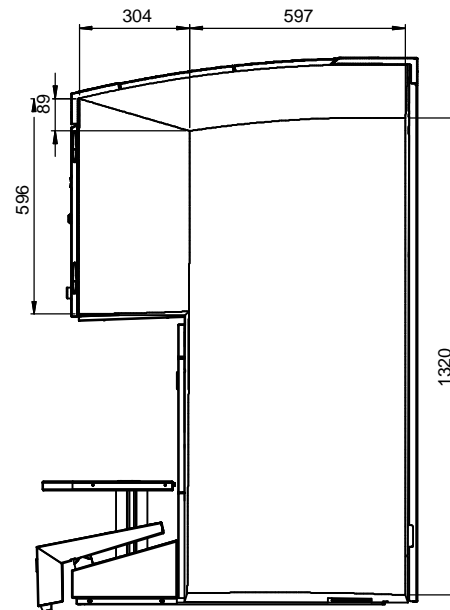
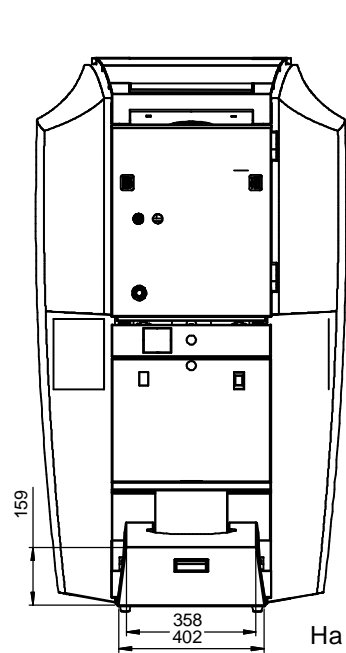
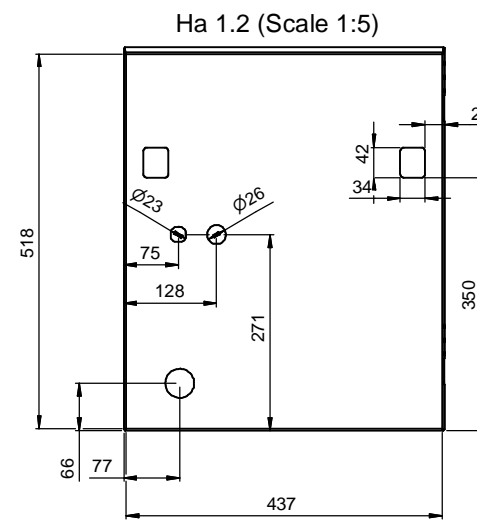
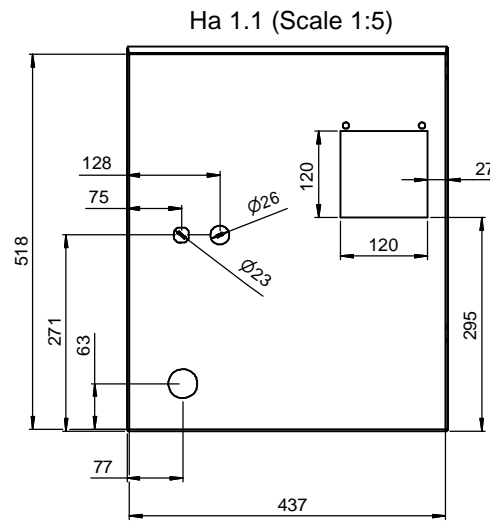
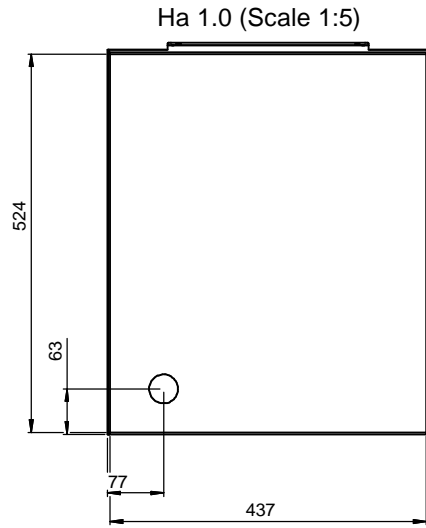


Info block (unless specified otherwise)

PDF DXF DWG
 Remove sharpe edges
 Tool :
 V - Die :
 Colour :
 End Product
 Semi Manufactured

| Rev. | Description | By | Date |
|------|-------------|----|------|
|------|-------------|----|------|



| | | | | |
|---|---|--|---|----------------|
| ALL DIMS ACC. TO NEN-ISO 2768 M UNLESS OTHERWISE SPECIFIED 0,5-6 ± 0,1 120-400 ± 0,5 SHORTEST SIDE 50-120 ± 20 6-30 ± 0,2 400-1000 ± 0,8 < 10 = 1 120-400 ± 10 30-120 ± 0,3 1000-2000 ± 1,2 10-50 = 30 > 400 = 5 | CONFIDENTIAL PROPRIETARY MATERIAL All design, reproduction, manufacturing, use & sales rights of items shown here on or of articles fabricated therefrom are expressly reserved by FAST & FLUID MANAGEMENT | | DRAWING ACCORDING TO NEN-ISO 1101 NEN-ISO 406 NEN 3634 | Projection |
| | Size: A2 Project : Dim. : Name: General sticker sizes | Unit : mm Drawn : RBoon Material : | Date : 8-10-2001 Assembly partnr: Partnr: HA400 | |

FAST & FLUID MANAGEMENT THE NETHERLANDS
 A Unit of IDEX Corporation
 P.O. Box 220 | 2170 AE Sassenheim
 Huis van Doornweg 31 | 2171 KC Sassenheim
 Telephone +31 (0)252 240 800
 Fax +31(0)252 240 880 | www.fast-fluid.com